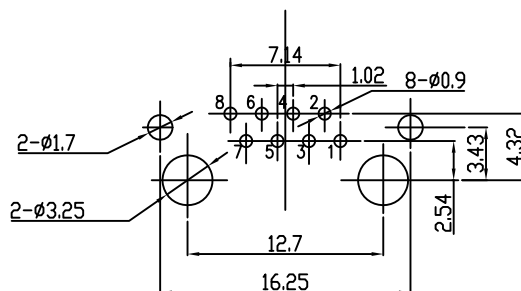
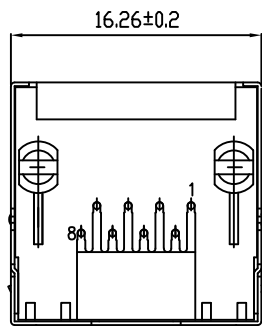
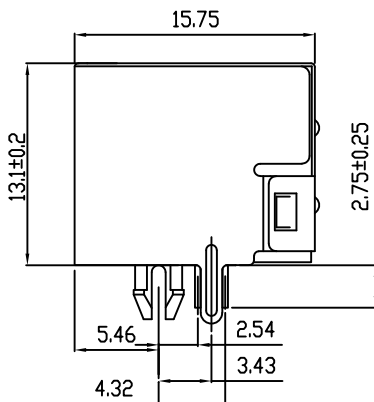
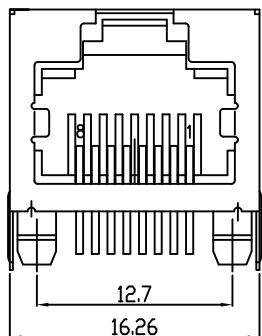


RoHS compliant



PC Board Layout

NOTES

MATERIAL

- 1. HOUSING MATERIAL : GLASS FILLED POLYESTER UL94V-0.
- 2. CONTACT MATERIAL : PHOSPHOR BRONZE ϕ 0.46mm.
- 3. PLATING : GOLD PLATING OVER NICKEL.
: FU", 3U", 6U", 15U", 30", 50".
- 4. SHIELD : 0.20mm THICKNESS COPPER ALLOY WITH NICKEL PLATED.

ELECTRICAL

- 1. VOLTAGE RATING : 125 VAC RMS.
- 2. CURRENT RATING : 1.5 AMP.
- 3. CONTACT RESISTANCE : 30 MILLIOHMS MAX.
- 4. INSULATION RESISTANCE : 500 MEGOHMS MIN @ 500V DC .
- 5. DIELECTRIC RESISTANCE : 1000V AC RMS 50Hz. 1MIN.

MECHANICAL

- 1. DURRABILITY : 750 CYCLES MIN.
- 2. PCB RETENTIONPRE-SOLDER : 1 LB MIN.

ENVIRONMENTAL :

- 1. STORAGE : -40 c ~+85 c .
- 2. OPERATION : -40 c ~+85 c .

PART NUMBER:

P/N 料号	DESCRIPTION 描述	MATER COLOR 材质	GOLD PLATING 电镀
RJ5JA-8811-100111R	5JA 1X1 8P8C W/SHIELD	PBT BLACK 黑	FU"
RJ5JA-8811-100F11R	5JA 1X1 8P8C W/SHIELD	PBT BLACK 黑	1U"
RJ5JA-8811-100211R	5JA 1X1 8P8C W/SHIELD	PBT BLACK 黑	1.5U"
RJ5JA-8811-100311R	5JA 1X1 8P8C W/SHIELD	PBT BLACK 黑	3U"

REV	ECN NO	DESCRIPTION	DATE	SIGNATURE	PROJECT	DRAWING NO	UNIT	MM	TITLE
A0		NEW DESIGN	2014/03/12						SEE TABLE
									5JA 1X1 8P8C W/SHIELD

X-SHUN 东莞市祥舜电子科技有限公司
 DONGGUAN X-SHUN ELECTRONICTECHNOLOGY CO., LTD
 TEL:+86 769 81885389 FAX:+86 769 81887859
 E-Mail:sales@x-shun.com Http:www.x-shun.com