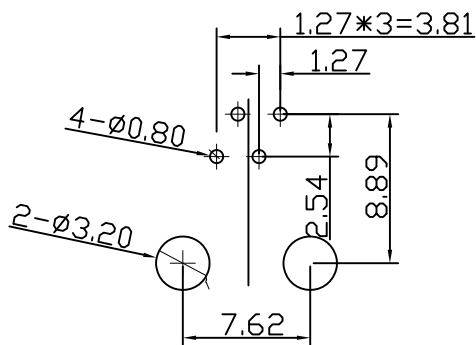
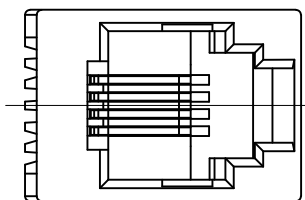
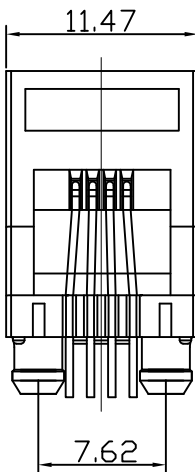
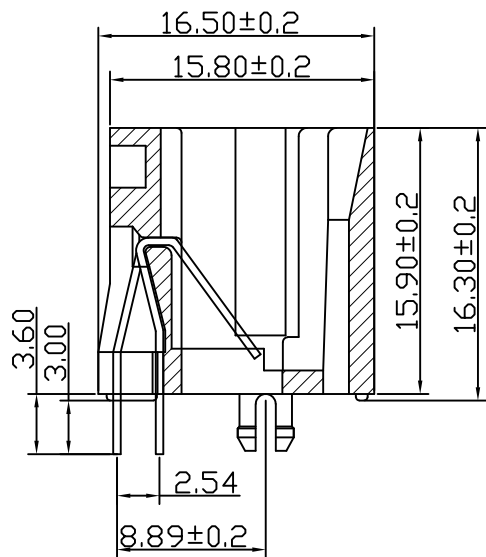


RoHS compliant



PC Board Layout
Component Side Shown

NOTES:

ELECTRICAL:

- 1. VOLTAGE RATING : 125 VAC RMS.
- 2. CURRENT RATING : 1.5 AMP.
- 3. CONTACT RESISTANCE : 30 MILLIOHMS MAX.
- 4. INSULATION RESISTANCE : 500 MEGOHMS MIN @ 500 VDC.
- 5. DIELECTRIC STRENGTH : 1000 VAC RMS 50Hz or 60Hz, 1MIN.

MECHANICAL:

- 1. HOUSING MATERIAL : PBT UL94V-0.
- 2. CONTACT MATERIAL : DIAMETER 0.45MM PHOSPHOR BRONZE
GOLD PLATING OVER NICKEL.
- 3. MATING/UNMATING FORCE : 2.2KG. F MAX.
- 4. RETENTION STRENGTH : 7.7KG. F MIN BETWEEN JACK AND PLUG.
- 5. OPERATING LIFE : 750 CYCLES MIN.

ENVIRONMENTAL:

- 1. STORAGE : -10°C ~ +40°C RELATIVE HUMIDITY<70%.
- 2. OPERATION : -40°C ~ +85°C.

Remark:

- 1. Tolerances Unless Otherwise Specified
.0±0.25 .00±0.20 .000±0.10
- 2. The mark with is the key inspection dimension for QC

P/N:RJ52A-4411-112XXXX

- GOLD PLATING
- 1-Gold Flash
- 2-1u
- 3-1.5u
- 4-3u
- 5-6u
- PLASTIC
- 1-PBT
- 2-NY66
- 3-NY46
- COLOR
- 1-BLACK
- 2-WHITE
- 3-RED
- 4-YELLOW
- NOTE
- X-NOTE

				GENERAL TOLERANCE		DRAWN	<i>Sene Li</i>	2015/12/22	UNIT	MM	X-SHUN 东莞市祥舜电子科技有限公司 DONGGUAN X-SHUN ELECTRONIC TECHNOLOGY CO., LTD TEL:+86 769 81885389 FAX:+86 769 81887859 E-Mail:sales@x-shun.com Http:www.x-shun.com	
				.X ±0.35	X.° ±2°	CHECKE	SC		SCALE	1:1		
				.XX ±0.25	.X° ±1°	APPROVE			SHEET			
A0		NEW DESIGN	2015/12/22	.XXX ±0.15	.XX° ±0.5°				PART NO.	RJ52A-4411-112XXXX		
REV	ECN NO	DESCRIPTION	DATE	SIGNATURE	PROJECT	DRAWING NO			REV	A0	TITLE	5222-1X1-4P4C