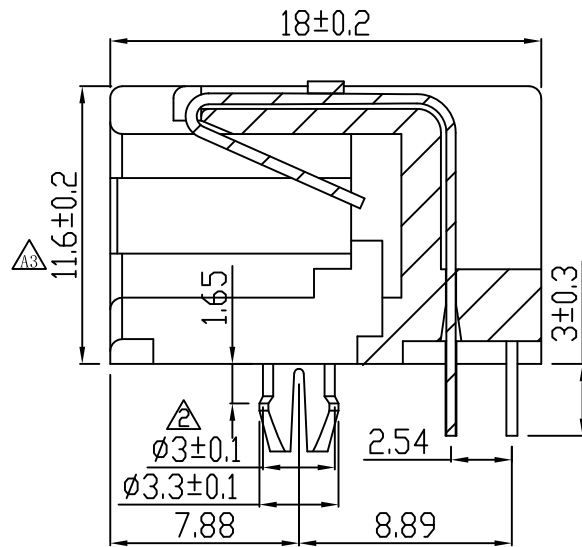
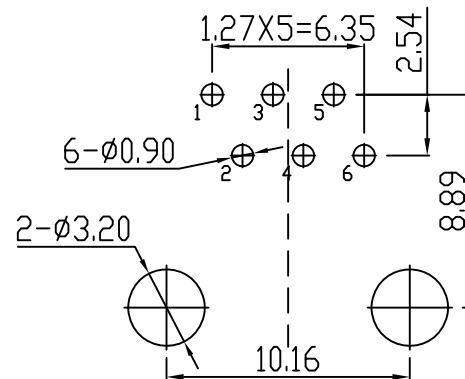
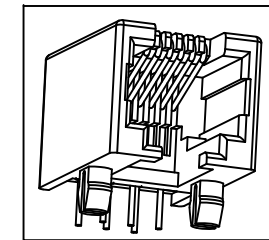
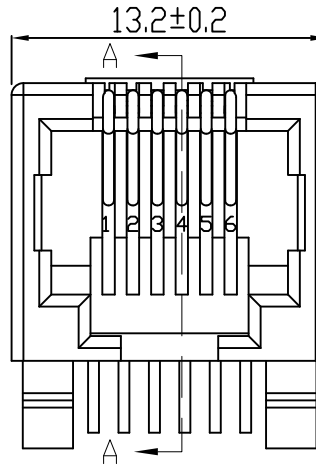


RoHS compliant



SECTION A-A



PC Board Layout

NOTES:

ELECTRICAL:

1. VOLTAGE RATING: 125V AC.
2. CURRENT RATING: 1.5A.
3. CONTACT RESISTANCE: 30 mΩ MAX.
4. INSULATION RESISTANCE: 500 MΩ MIN @ 500V DC.
5. DIELECTRIC STRENGTH: 1000V AC 50Hz or 60Hz, 1MIN.

MECHANICAL:

1. INSERT MATERIAL: UL94V-0.
2. CONTACT MATERIAL: φ0.46mm C51000 (QSn4-0.3) PHOSPHOR BRONZE GOLD PLATING OVER NICKEL.
3. MATING/UNMATING FORCE: 2.2KG. F MAX.
4. RETENTION STRENGTH: 3.0KG. F MIN BETWEEN JACK AND PLUG.
5. OPERATING LIFE: 750 CYCLES MIN.

ENVIRONMENTAL:

1. STORAGE: -40°C ~ +85°C RELATIVE HUMIDITY<70%.
2. OPERATION: -40°C ~ +85°C.

P/N: RJ53A-6611-01111X

GOLD PLATING (镀金厚度):
 1-FU"; 2-1U"; 3-1.5U"; 4-3U";
 5-6U"; 6-15U";
 PLASTIC (塑料):
 1-PBT;
 2-NYLON66 (尼龙66);
 3-NYLON46 (尼龙46)
 COLOR (颜色):
 1-BLACK (黑色); 2-WHITE (白色); 3-RED (红色);
 4-YELLOE (黄色); 5-BLUE (蓝色); 6-GREEN (绿色)

NOTE
X-NO Note

A/2		高度11.65改成11.6	2019.07.02		GENERAL TOLERANCE	DRAWN	<i>Sene Li</i>	2017/10/13	UNIT	MM	X-SHUN 东莞市祥舜电子科技有限公司 DONGGUAN X-SHUN ELECTRONICTECHNOLOGY CO., LTD TEL:+86 769 81885389 FAX:+86 769 81887859 E-Mail:sales@x-shun.com Http:www.x-shun.com	
A/1		塑脚专用φ3.0和φ3.3 (JFX)	2018.06.11		.X ±0.35 X.° ± 2°	CHECKE	SC		SCALE	1:1		
A0		NEW DESIGN	2017/10/13		.XX ±0.25 X.° ± 1°	APPROVE			SHEET	1 OF 1	PART NO.	RJ53A-6611-01111X
REV	ECN NO	DESCRIPTION	DATE	SIGNATURE	.XXX ±0.15 .XX° ± 0.5°	DRAWING NO			REV	A0	TITLE	5321 6P6C 1X1 JACK(JFX)