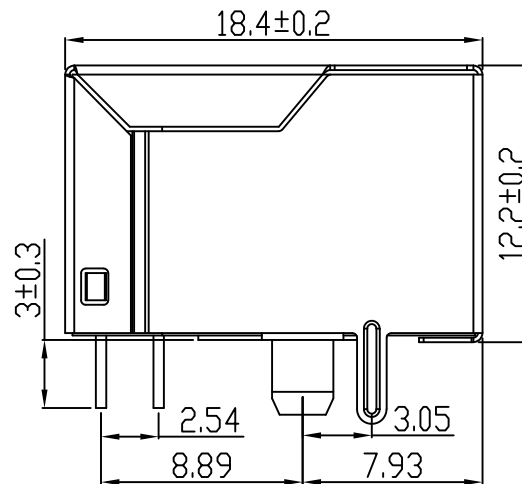
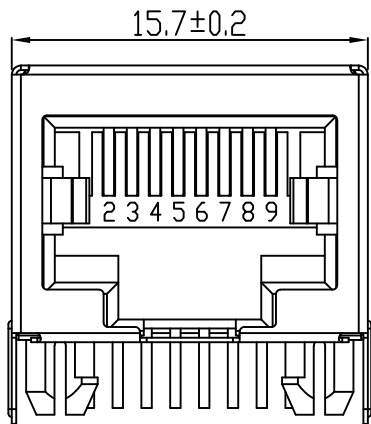
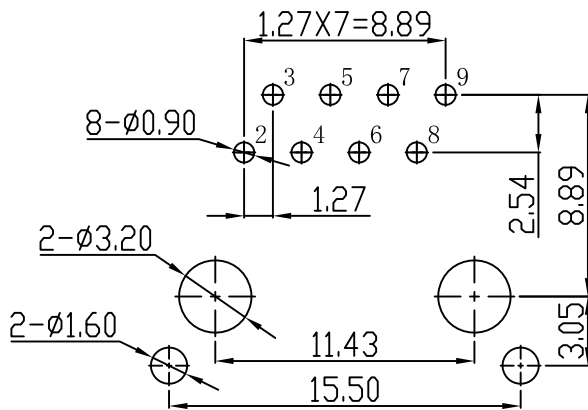
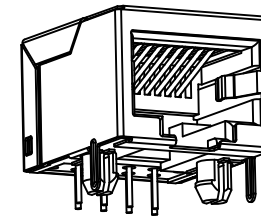


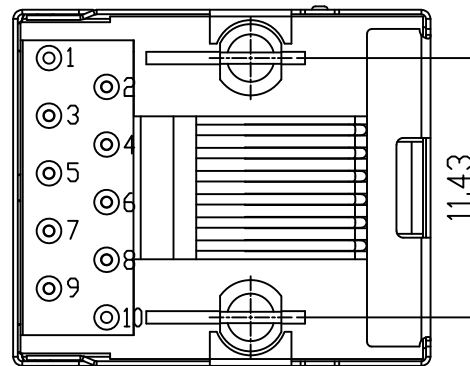
RoHS compliant



- NOTES:
- ELECTRICAL:
1. VOLTAGE RATING: 125V AC.
 2. CURRENT RATING: 1.5A.
 3. CONTACT RESISTANCE: 30 mΩ MAX.
 4. INSULATION RESISTANCE: 500 MΩ MIN @ 500V DC.
 5. DIELECTRIC STRENGTH: 1000V AC 50Hz or 60Hz, 1MIN.
- MECHANICAL:
1. INSERT MATERIAL: UL94V-0.
 2. CONTACT MATERIAL: Ø0.46mm C51000(QSn4-0.3) PHOSPHOR BRONZE GOLD PLATING OVER NICKEL.
 3. SHIELD: 0.20mm THICKNESS H65Y BRASS NICKEL PLATED.
 4. MATING/UNMATING FORCE: 2.2KG.F MAX.
 5. RETENTION STRENGTH: 3.0KG.F MIN BETWEEN JACK AND PLUG.
 6. OPERATING LIFE: 750 CYCLES MIN.
- ENVIRONMENTAL:
1. STORAGE: -40°C ~ +85°C RELATIVE HUMIDITY<70%.
 2. OPERATION: -40°C ~ +85°C.



PC Board Layout



P/N: RJ56B-1811-110111R

- CONTACTS (金针根数):
- 8-8 CONTACTS (10C)
- PEG/TAB (边定位脚):
- 1-FRONT PEG 3.05 (脚前3.05)
- GOLD PLATING (镀金厚度):
- 1-FU"; 2-1U"; 3-1.5U"; 4-3U";
- 5-6U"; 6-15U";
- PLASTIC (塑料):
- 1-PBT;
- 2-NYLON66 (尼龙66);
- 3-NYLON46 (尼龙46)
- COLOR (颜色):
- 1-BLACK (黑色); 2-WHITE (白色); 3-RED (红色);
- 4-YELLOE (黄色); 5-BLUE (蓝色); 6-GREEN (绿色)
- PIN STYLE (PIN 针类型):
- R-ROUND PIN (圆针);
- F-FLAT PIN (扁针)

				GENERAL TOLERANCE		DRAWN	<i>Gene Li</i>	2016/10/19	UNIT	MM	东莞市祥舜电子科技有限公司 DONGGUAN X-SHUN ELECTRONIC TECHNOLOGY CO., LTD TEL:+86 769 81885389 FAX:+86 769 81887859 E-Mail:sales@x-shun.com Http:www.x-shun.com	
				.X ±0.35	X.° ±2°	CHECKE	SC		SCALE	1:1		
A0		NEW DESIGN	2016/10/19			APPROVE			SHEET		PART NO.	RJ56B-1811-110111R
REV	ECN NO	DESCRIPTION	DATE	SIGNATURE	PROJECT	DRAWING NO			REV	A0	TITLE	5622S 1X1 10P8C F3.05