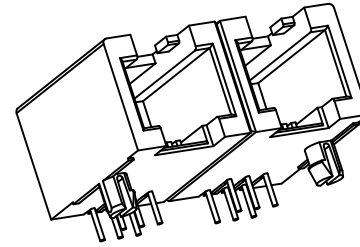
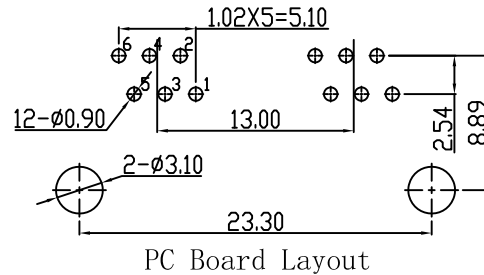
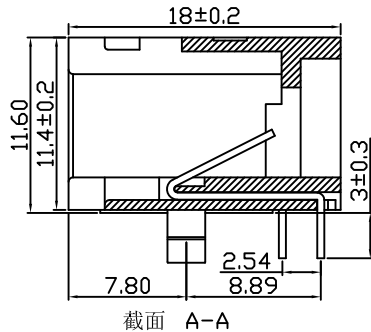
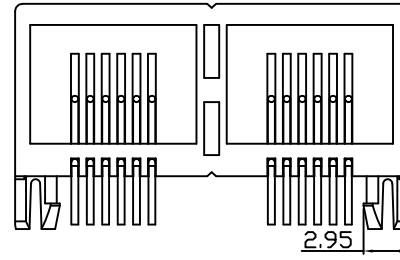
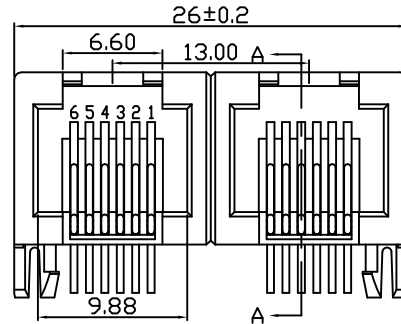
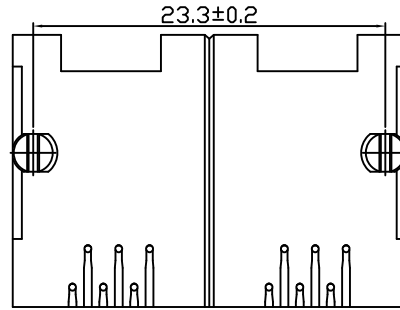
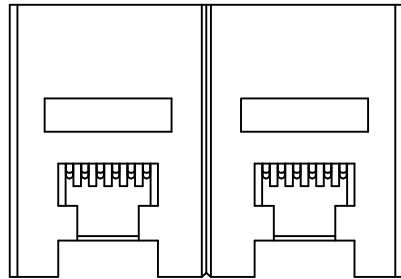


RoHS compliant



NOTES:

ELECTRICAL:

1. VOLTAGE RATING: 125V AC.
2. CURRENT RATING: 1.5A.
3. CONTACT RESISTANCE: 30 mΩ MAX.
4. INSULATION RESISTANCE: 500 MΩ MIN @ 500V DC.
5. DIELECTRIC STRENGTH: 1000V AC 50Hz or 60Hz, 1MIN.

MECHANICAL:

1. INSERT MATERIAL: UL94V-0.
 2. CONTACT MATERIAL: $\phi 0.46\text{mm}$ C51000 (QSn4-0.3) PHOSPHOR BRONZE GOLD PLATING OVER NICKEL.
 3. MATING/UNMATING FORCE: 2.2KG.F MAX.
 4. RETENTION STRENGTH: 3.0KG.F MIN BETWEEN JACK AND PLUG.
 5. OPERATING LIFE: 750 CYCLES MIN.
- ENVIRONMENTAL:
1. STORAGE: $-40^{\circ}\text{C} \sim +85^{\circ}\text{C}$ RELATIVE HUMIDITY<70%.
 2. OPERATION: $-40^{\circ}\text{C} \sim +85^{\circ}\text{C}$.

P/N:RJ53C-8812-231XXXX

GOLD PLATING	PLASTIC	COLOR	NOTE
1-Gold Flash	1-PBT	1-BLACK	X-NO NOTE
2-1u	2-NYLON66	2-WHITE	B-B 型
3-1.5u	3-NYLON46	3-RED	
4-3u		4-YELLOW	
5-6u			

				GENERAL TOLERANCE		DRAWN	<i>Gema Li</i>	2016/08/08	UNIT	MM	X-SHUN 东莞市祥舜电子科技有限公司 DONGGUAN X-SHUN ELECTRONIC TECHNOLOGY CO., LTD TEL:+86 769 81885389 FAX:+86 769 81887859 E-Mail:sales@x-shun.com Http:www.x-shun.com	
				.X ±0.35	X.° ±2°	CHECKE	SC		SCALE	1:1		
A0		NEW DESIGN	2016/08/08			APPROVE			SHEET		PART NO.	RJ53C-8812-231111X
REV	ECN NO	DESCRIPTION	DATE	SIGNATURE	PROJECT	DRAWING NO			REV	A0	TITLE	5324 1X2 6P6C