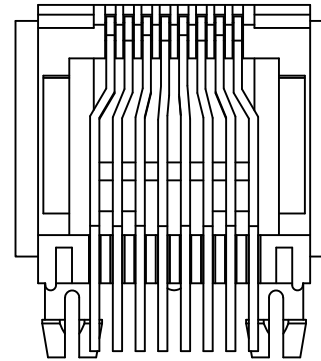
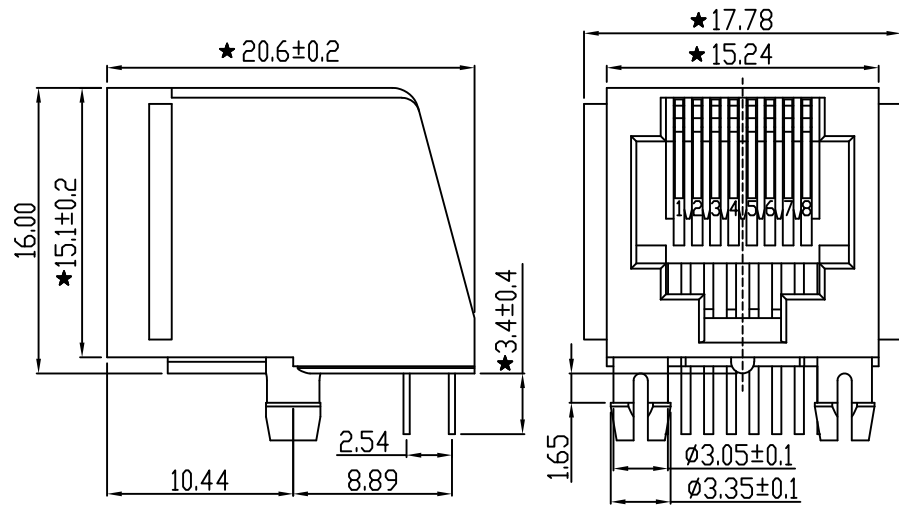


RoHS compliant



NOTES:

ELECTRICAL:

- VOLTAGE RATING: 125V AC.
- CURRENT RATING: 1.5A.
- CONTACT RESISTANCE: 30 mΩ MAX.
- INSULATION RESISTANCE: 500 MΩ MIN @ 500V DC.
- DIELECTRIC STRENGTH: 1000V AC 50Hz or 60Hz, 1MIN.

MECHANICAL:

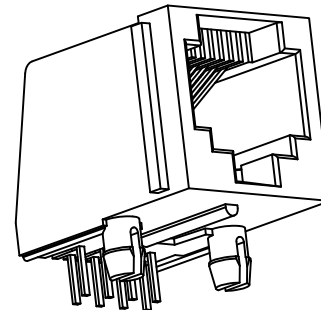
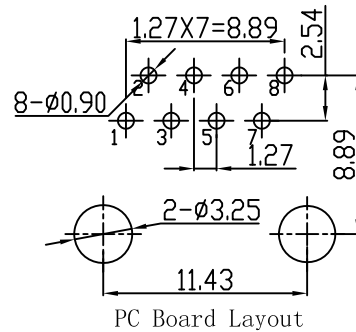
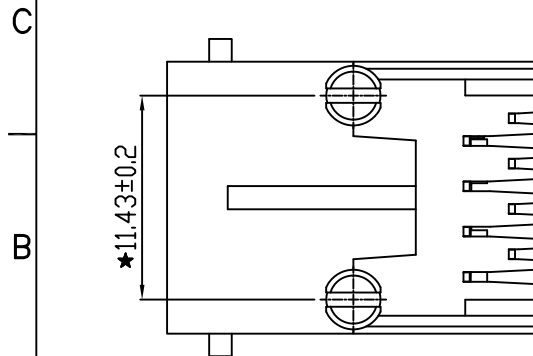
- INSERT MATERIAL: UL94V-0.
- CONTACT MATERIAL: C5191(QSn6.5-0.1)PHOSPHOR BRONZE T=0.35mm.
- PLATING: 1. CONTACT AREA-SELECTIVE GOLD PLATING.
: 2. TAILS PLATING TIN OVER NICKEL.
- MATING/UMMATING FORCE: 2.2KG.F MAX.
- RETENTION STRENGTH: 7.7KG.F MIN BETWEEN JACK AND PLUG.
- OPERATING LIFE: 600 CYCLES MIN.

ENVIRONMENTAL:

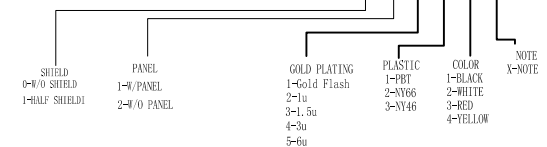
- STORAGE: $-40^{\circ}\text{C} \sim +85^{\circ}\text{C}$ RELATIVE HUMIDITY<70%.
- OPERATION: $-40^{\circ}\text{C} \sim +85^{\circ}\text{C}$.

Remark:

- The mark with \star is the key inspection dimension for QC.



P/N:RJ57A-8811-01111X



REV	ECN NO	DESCRIPTION	DATE	SIGNATURE	PROJECT	DRAWING NO	REV	A0	TITLE
A0		NEW DESIGN	2014/04/12						

GENERAL TOLERANCE	DRAWN	DATE	UNIT	MM
.X ±0.25 X.° ±2°	Gene Li	2014-04-12	UNIT	MM
.XX ±0.20 .X.° ±1°	CHECKE	SC	SCALE	1:1
.XXX ±0.10 .XX° ±0.5°	APPROVE		SHEET	1 OF 1

X-SHUN 东莞市祥舜电子科技有限公司	
TEL:+86 769 81885389	FAX:+86 769 81887859
E-Mail:sales@x-shun.com Http://www.x-shun.com	
PART NO.	RJ57A-8811-01111X
TITLE	5721-8P8C-E W/PANEL