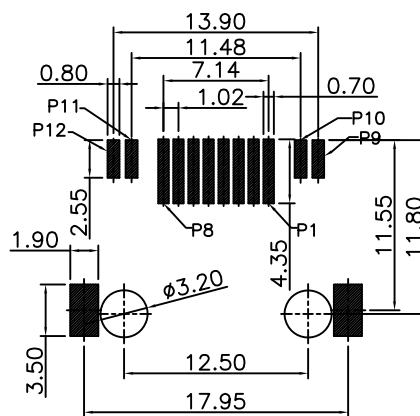
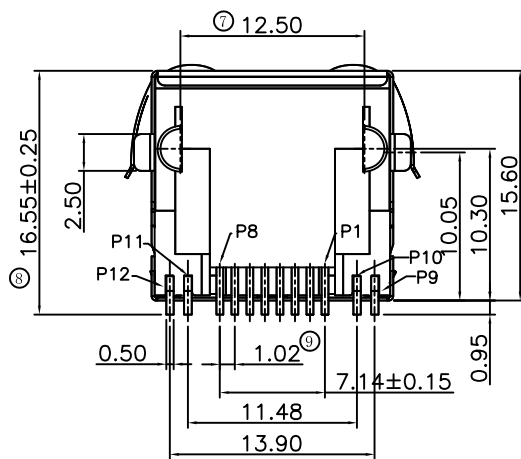
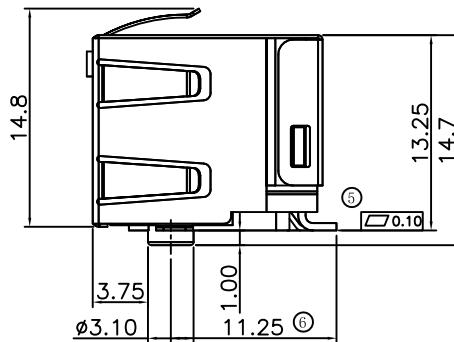
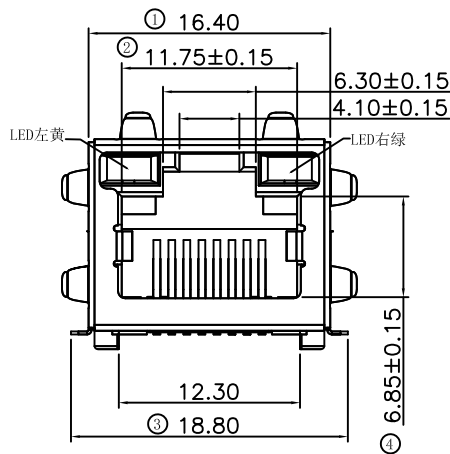


RoHS compliant



RECOMMENDED PCB LAYOUT
PTOLERANCE=±0.05

SPECIFICATION NOTES:

ELECTRICAL:

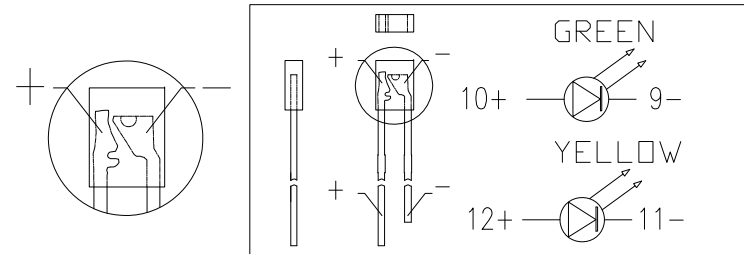
- 1.VOLTAGE RATING: 125 VAC RMS
- 2.CURRENT RATING: 1.5 AMP
- 3.CONTACT RESISTANCE: 20mΩ MAX.
- 4.INSULATION RESISTANCE: 1000MΩ MIN. AT500V DC.
- 5.DIELECTRIC STRENGTH: 1000 V AC OR 1500V DC RMS AT 0.5mA 50 Hz / 60 Hz FOR 1MINUTE

MECHANICAL:

- 1.HOUSING:LCP BLACK, UL 94V-0
- 2.CONTACT:PHOSPHOR BRONZE T=0.30MM
- 3.PLATING:GOLD PLATING AT CONTACT AREA, MATTE TIN AT TAIL 100U MIN., NICKEL 30U MIN. OVER ALL.
- 4.SHELL:BRASS T=0.20
- 5.OPERATING LIFE:750 CYCLES MIN.
- 6.MATING/UNMATING FORCE: 30N/3.06KGf MAX.
- 7.RETENTION STRENGTH:50N OR 30N MIN.FOR 60S±5S

ENVIRONMENTAL:

- 1.STORAGE:-40°C TO +85°C RELATIVE HUMIDITY<80%
- 2.GUARANTEE PERIOD:12 MONTHS
- 3.OPERATION: -40°C TO +85°C
- 4.MANUAL SOLDERING PARAMETERS:24H IR TEMPERATURE: 260±5°C 5~10 SECONDS.



				GENERAL TOLERANCE		DRAWN	<i>Sene Li</i>	2016-06-15	UNIT	MM	X-SHUN 东莞市祥舜电子科技有限公司 DONGGUAN X-SHUN ELECTRONICTECHNOLOGY CO., LTD TEL:+86 769 81885389 FAX:+86 769 81887859 E-Mail:sales@x-shun.com Http:www.x-shun.com	
				.X ±0.25	X° ±2°	CHECKE	HEL		SCALE	1:1		
				.XX ±0.20	X° ±1°	APPROVE			SHEET	1 OF 1		
				.XXX ±0.10	XX° ±0.5°	DRAWING NO			REV	A0		
REV	ECN NO	DESCRIPTION	DATE	SIGNATURE	PROJECT						PART NO.	RJ5JS-8811-211111X
											TITLE	RJ45 8P8C SMT 90° 带屏蔽带弹片 左黄右绿