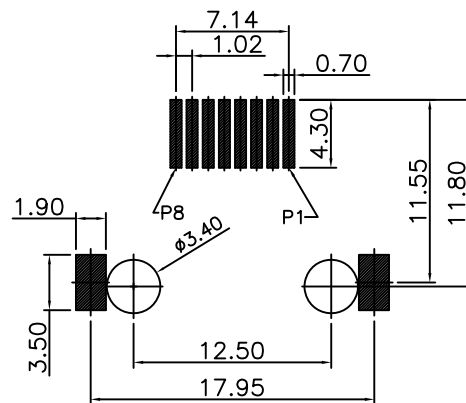
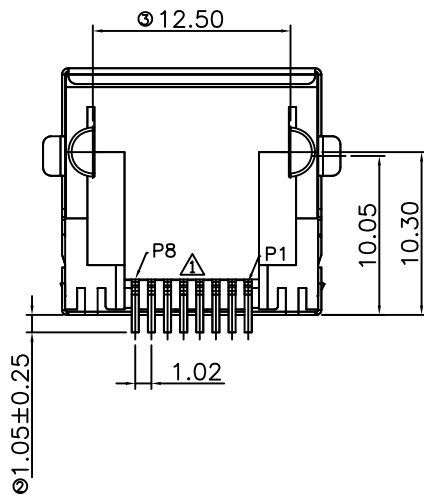
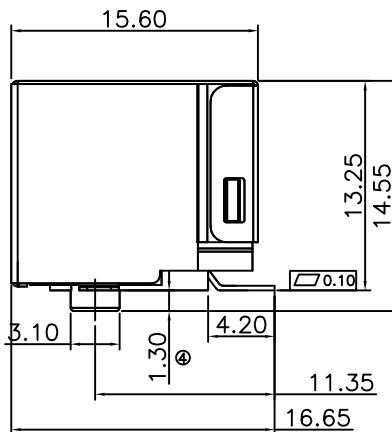
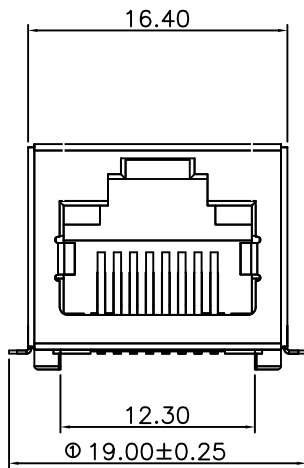


RoHS compliant



Recommend PCB Layout  
(Jack Top View)  
TOLERANCES:±0.05

**SPECIFICATION NOTES:**

**MECHANICAL:**

- 1.HOUSING:LCP BLACK, UL 94V-0.
- 2.CONTACT:PHOSPHOR BRONZE T=0.30MM.
- 3.PLATING:GOLD PLATING AT CONTACT AREA, MATTE TIN AT TAIL 80U MIN, NICKEL 30U MIN OVER ALL.
- 4.SOLDER PAD: BRASS WITH TIN PLATING OVER NICKEL.
- 5.SHELL:BRASS T=0.20 NICKEL 30U MIN OVER ALL.
- 6.OPERATING LIFE:750 CYCLES MIN.
- 7.MATING/UNMATING FORCE: 30N/3.06KGf MAX.
- 8.RETENTION STRENGTH:50N OR 30N MIN FOR 60S±5S

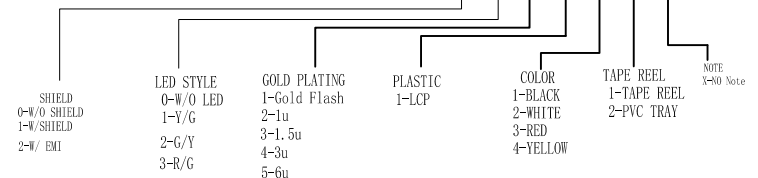
**ELECTRICAL:**

- 1.VOLTAGE RATING: 125 VAC RMS.
- 2.CURRENT RATING: 1.5 AMP.
- 3.CONTACT RESISTANCE: 20mΩ MAX.
- 4.INSULATION RESISTANCE: 1000MΩ MIN AT500V DC.
- 5.DIELECTRIC STRENGTH: 500 V AC 0.5mA 50Hz 1MINUTE.

**ENVIRONMENTAL:**

- 1.STORAGE:-40°C TO +85°C RELATIVE HUMIDITY<80%.
- 2.GUARANTEE PERIOD:12 MONTHS.
- 3.OPERATION: -40°C TO +85°C.
- 4.MANUAL SOLDERING PARAMETERS:24H.  
IR TEMPERATURE: 260±5°C 5~10 SECONDS.

P/N:RJ5JS-8811-10X1XXX



				GENERAL TOLERANCE		DRAWN	Gene Li	2016-04-20	UNIT	MM	<b>X-SHUN</b> 东莞市祥舜电子科技有限公司 DONGGUAN X-SHUN ELECTRONIC TECHNOLOGY CO., LTD TEL:+86 769 81885389 FAX:+86 769 81887859 E-Mail:sales@x-shun.com Http:www.x-shun.com	
				.X	±0.25	X.°	±2°	CHECKE	HEL	SCALE		1:1
				.XX	±0.20	.X.°	±1°	APPROVE		SHEET		1 OF 1
A0		NEW DESIGN	2016/04/20	.XXX	±0.10	.XX.°	±0.5°	DRAWING NO		R-H55A-02	PART NO.	RJ5JS-8811-10X1XXX
REV	ECN NO	DESCRIPTION	DATE	SIGNATURE	PROJECT		REV		A0	TITLE	RJ45 SMT 8P8C JACK	