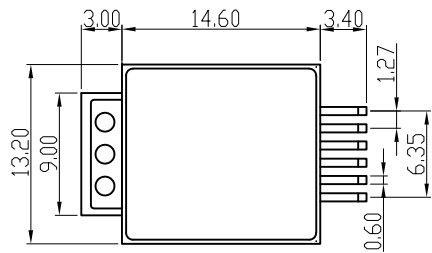
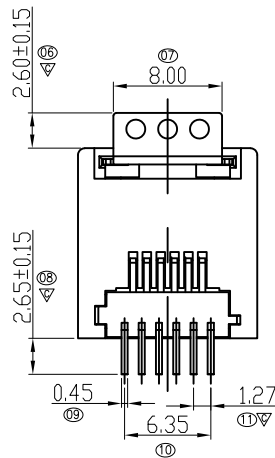
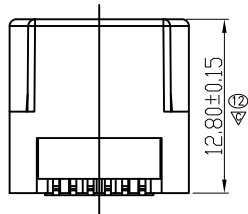
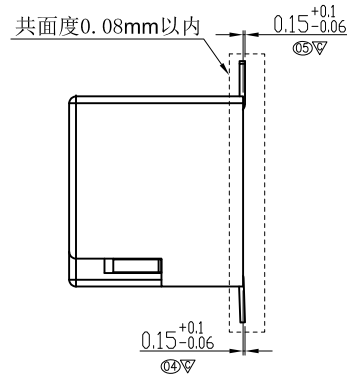
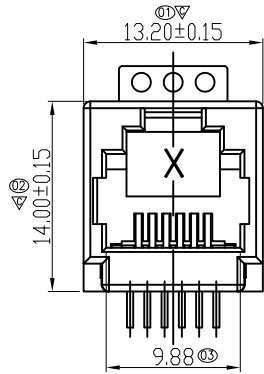


RoHS compliant



PCB LAYOUT/TOP VIEW  
TOLERANCE=±0.05

**ELECTRICAL:**  
 CURRENT RATING:1.5AMPS  
 VOLTAGE RATING:125V AC  
 INSULATION RESISTANCE:500M MINI  
 WITHSTAND VOLTAGE:AC 1000V RMS 50Hz OR 60Hz 1MIN  
 CONTACT RESISTANCE:20m MAX

**MECHANICAL:**  
 MATING FORCE: 2.2KG.F MAX  
 RETENTION STRENGTH:7.7KG.F BETWEEN JACK AND PLUG  
 DURABILITY:750MATING CYCLES MINI

**MATERIAL:**  
 HOUSING:LCP, UL94V0  
 CONTACT WIRE:0.35mm DIAMETER PHOSPHOR BRONZE (C5191)  
 OPTIONAL GOLD PLATING  
 GOLD PLATING: 3 INCH, 6 INCH,15 INCH,30 INCH,50 INCH  
 METAL GASKET : 0.40mm THICKNESS,NICKEL PLATED COPPER  
 ALLO (C2680)

P/N:RJ52S-6611-00441XP

- GOLD PLATING
  - 1-Gold Flash
  - 2-1u
  - 3-1.5u
  - 4-3u
  - 5-6u
- PLASTIC
  - 1-PBT
  - 2-NY66
  - 3-NY46
  - 4-LCP
  - 5-PA9T
- COLOR
  - 1-BLACK
  - 2-WHITE
  - 3-RED
  - 4-YELLOW
- PACKING TYPE
  - 1-REEL
  - 2-PVC TRAY

				GENERAL TOLERANCE		DRAWN	<i>Sene Li</i>	2015-03-12	UNIT	MM	<b>X-SHUN</b> 东莞市祥舜电子科技有限公司 DONGGUAN X-SHUN ELECTRONIC TECHNOLOGY CO., LTD TEL:+86 769 81885389 FAX:+86 769 81887859 E-Mail:sales@x-shun.com Http:www.x-shun.com
				.X ±0.35	X.° ± 2°	CHECKE	PH	SCALE	1:1	PART NO.	
A0		NEW DESIGN	2015/03/12			APPROVE		SHEET		TITLE	RJ12 6P6C 180°SMT JACK
REV	ECN NO	DESCRIPTION	DATE	SIGNATURE	PROJECT	DRAWING NO		REV	A0		