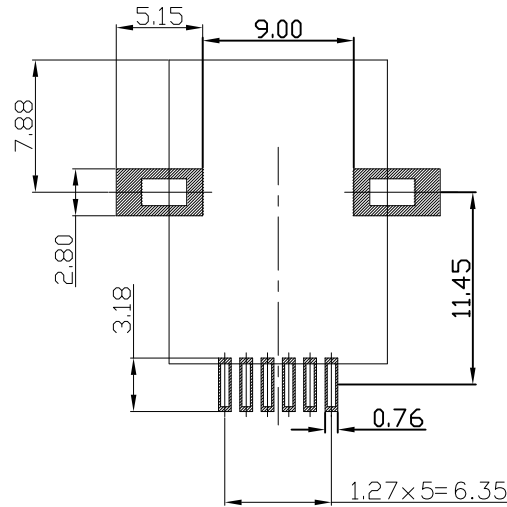
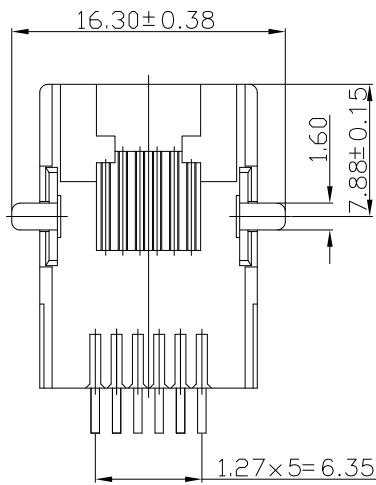
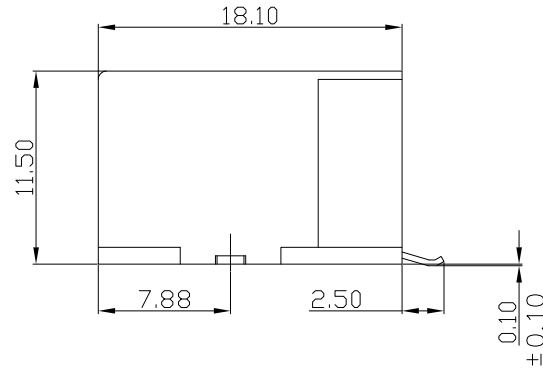
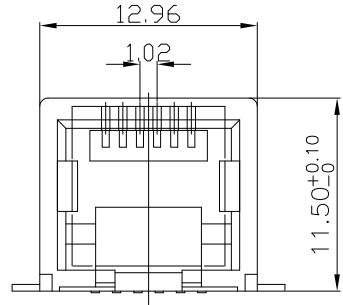


RoHS compliant



PCB LAYOUT/TOP VIEW

NOTES

MATERIAL

- 1. HOUSING MATERIAL : HIGH TEMP THERMOPLASTIC
FLAMMABILITY RATING UL94V-0.
- 2. CONTACT MATERIAL : PHOSPHOR BRONZE T=0.3mm.
- 3. PLATING : GOLD LATING OVER NICKEL IN CONTACT
TIN PLATING OVER NICKEL IN SOLDER AREA.
: FU", 3U", 6U", 15U", 30U", 50U".

ELECTRICAL

- 1. VOLTAGE RATING : 125 VAC RMS.
- 2. CURRENT RATING : 1.5 AMP.
- 3. CONTACT RESISTANCE : 30 MILLIOHMS MAX.
- 4. INSULATION RESISTANCE : 500 MEGOHMS MIN @ 500V DC .
- 5. DIELECTRIC RESISTANCE : 1000V AC RMS 50Hz. 1MIN.

MECHANICAL

- 1. DURRABILITY : 750 CYCLES MIN.
- 2. PCB RETENTIONPRE-SOLDER : 1 LB MIN.

ENVIRONMENTAL :

- 1. STORAGE : -40°C ~+85°C.
- 2. OPERATION : -40°C ~+85°C.

PART NUMBER:

P/N 料号	DESCRIPTION 描述	MATER COLOR 材质	PACKING TYPE 包装方式
RJ56S-6611-0205511	56S RJ12 6P6C 90° SMT 6U PCB JACK	PA9T BLACK 黑	TAPE REEL
RJ56S-6611-0205512	56S RJ12 6P6C 90° SMT 6U PCB JACK	PA9T BLACK 黑	PVC TRAY
RJ56S-6611-0206511	56S RJ12 6P6C 90° SMT 15U PCB JACK	PA9T BLACK 黑	TAPE REEL
RJ56S-6611-0207511	56S RJ12 6P6C 90° SMT 30U PCB JACK	PA9T BLACK 黑	TAPE REEL

REV	ECN NO	DESCRIPTION	DATE	SIGNATURE	PROJECT	DRAWING NO	REV	A0	TITLE
A0		NEW DESIGN	2015-03-12						56S RJ12 6P6C 90° SMT PCB JACK

X-SHUN 东莞市祥舜电子科技有限公司
 DONGGUAN X-SHUN ELECTRONICTECHNOLOGY CO., LTD
 TEL:+86 769 81885389 FAX:+86 769 81887859
 E-Mail:sales@x-shun.com Http:www.x-shun.com

PART NO. SEE TABLE

GENERAL TOLERANCE
 .X ±0.35 X.° ± 2°
 .XX ±0.25 .X° ± 1°
 .XXX ±0.15 .XX° ± 0.5°

