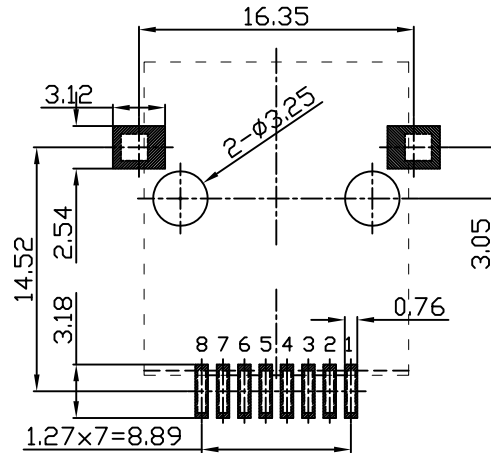
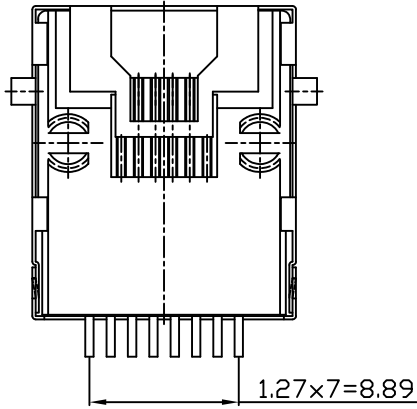
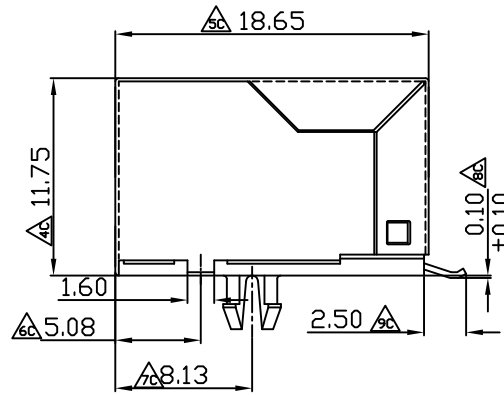
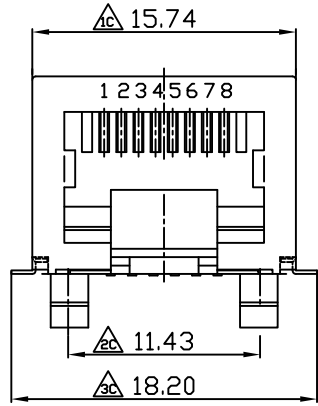


RoHS compliant



PCB LAYOUT/TOP VIEW

NOTES

MATERIAL

- 1. HOUSING MATERIAL : 杜邦FR52 UL94V-0.
- 2. CONTACT MATERIAL : PHOSPHOR BRONZE (C5210) T=0.3mm.
- 3. PLATING : GOLD PLATING 6U OVER NICKEL 40-60U IN CONTACT. TIN PLATING 80-100U OVER NICKEL 40-60U IN SOLDER AREA.
- 4. SHIELD : 0.20mm THICKNESS COPPER ALLOY (C2680) WITH NICKEL PLATED 30-50U .

ELECTRICAL

- 1. VOLTAGE RATING : 125 VAC RMS.
- 2. CURRENT RATING : 1.5 AMP.
- 3. CONTACT RESISTANCE : 30 MILLIOHMS MAX.
- 4. INSULATION RESISTANCE : 500 MEGOHMS MIN @ 500V DC .
- 5. DIELECTRIC RESISTANCE : 1000V AC RMS 50Hz 1MIN.

MECHANICAL

- 1. DURRABILITY : 750 CYCLES MIN.
- 2. PCB RETENTIONPRE-SOLDER : 1 LB MIN.

ENVIRONMENTAL:

- 1. STORAGE : -40°C~+85°C.
- 2. OPERATION : -40°C~+85°C.

P/N:RJ56S-8811-1215512

- GOLD PLATING
- 1-Gold Flash
- 2-1u
- 3-1.5u
- 4-3u
- 5-6u
- TAPE REEL
- 1-TAPE REEL
- 2-PVC TRAY

				GENERAL TOLERANCE	DRAWN	<i>Geme Li</i>	2016-03-20	UNIT	MM	东莞市祥舜电子科技有限公司 DONGGUAN X-SHUN ELECTRONICTECHNOLOGY CO., LTD TEL:+86 769 81885389 FAX:+86 769 81887859 E-Mail:sales@x-shun.com Http:www.x-shun.com		
				.X ±0.35 X.° ± 2°	CHECKE			SCALE	1:1			
A0		NEW DESIGN	2016/03/20	.XX ±0.25 .X° ± 1°	APPROVE			SHEET		PART NO.	RJ56S-8811-1225512	
REV	ECN NO	DESCRIPTION	DATE	SIGNATURE	PROJECT			DRAWING NO	REV	A0	TITLE	56 SMT 8P8C W/SHIELD JACK