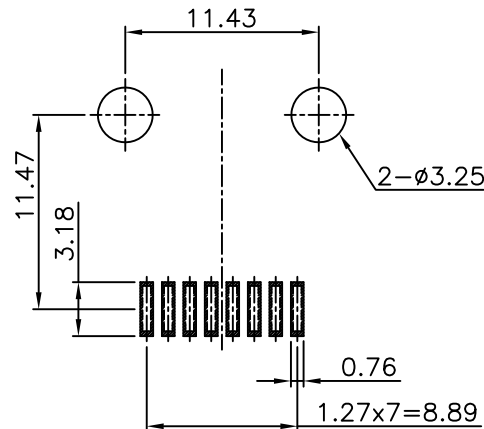
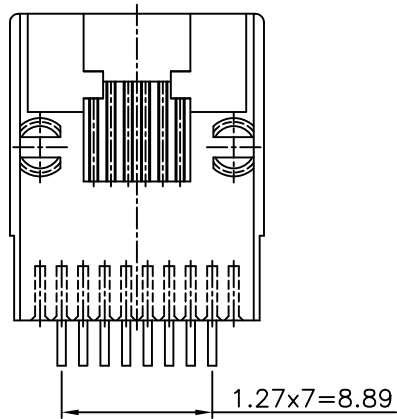
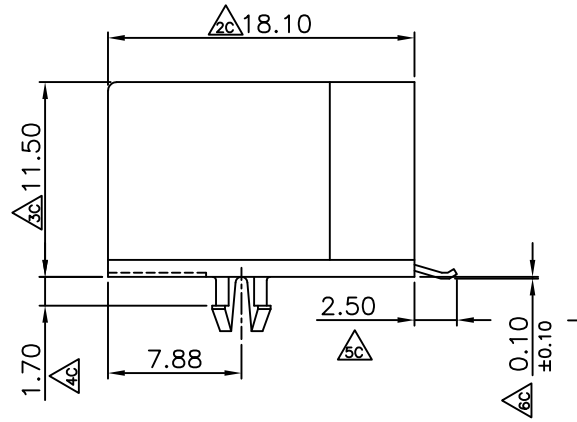
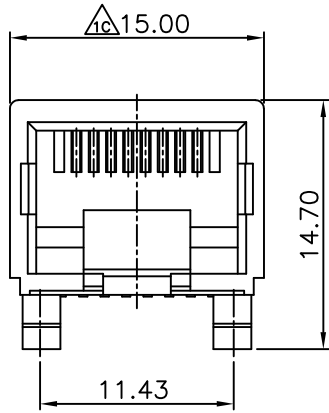


RoHS compliant



PCB LAYOUT/TOP VIEW

NOTES

MATERIAL

- 1. HOUSING MATERIAL : HIGH TEMP THERMOPLASTIC  
FLAMMABILITY RATING UL94V-0.
- 2. CONTACT MATERIAL : PHOSPHOR BRONZE
- 3. PLATING : GOLD LATING OVER NICKEL IN CONTACT  
TIN PLATING OVER NICKEL IN SOLDER AREA.  
: FU", 3U", 6U", 15U", 30U", 50U".

ELECTRICAL

- 1. VOLTAGE RATING : 125 VAC RMS.
- 2. CURRENT RATING : 1.5 AMP.
- 3. CONTACT RESISTANCE : 40 MILLIOHMS MAX.
- 4. INSULATION RESISTANCE : 1000 MEGOHMS MIN @ 500V DC .
- 5. DIELECTRIC STRENGTH : 1000V VAC RMS 60Hz. 1MIN.

MECHANICAL

- 1. DURRABILITY : 750 CYCLES MIN.
- 2. PCB RETENTIONPRE-SOLDER : 1 LB MIN.

ENVIRONMENTAL:

- 1. STORAGE : -40°C~+85°C.
- 2. OPERATION : -20°C~+75°C.
- 3. IR Reflow Soldering Tempature:255°C TO 265°C.

Mates With Modular Plug Conforming TO FCC Part 68.Subpart F.

P/N:RJ56S-8811-001551X

- GOLD PLATING
- 1-Gold Flash
- 2-1u
- 3-1.5u
- 4-3u
- 5-6u
- TAPE REEL
- 1-TAPE REEL
- 2-PVC TRAY

				GENERAL TOLERANCE		DRAWN	<i>Sene Li</i>	2016/03/12	UNIT	MM	<b>X-SHUN</b> 东莞市祥舜电子科技有限公司 DONGGUAN X-SHUN ELECTRONICTECHNOLOGY CO., LTD TEL:+86 769 81885389 FAX:+86 769 81887859 E-Mail:sales@x-shun.com Http:www.x-shun.com	
				.X ±0.35	X.° ± 2°	CHECKE	JH		SCALE	1:1		
A0		NEW DESIGN	2016/03/12			APPROVE			SHEET	1 OF 1	PART NO.	RJ56S-6611-001551X
REV	ECN NO	DESCRIPTION	DATE	SIGNATURE	PROJECT				REV	A0	TITLE	56 SMT RJ45 8P8C W/O SHIELD JACK