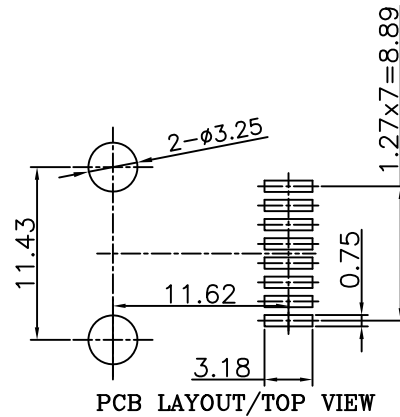
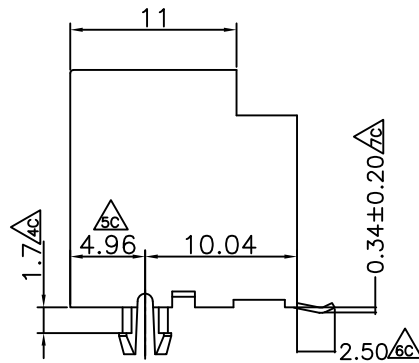
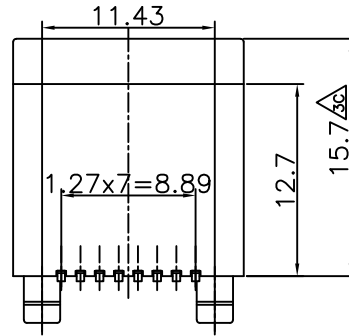
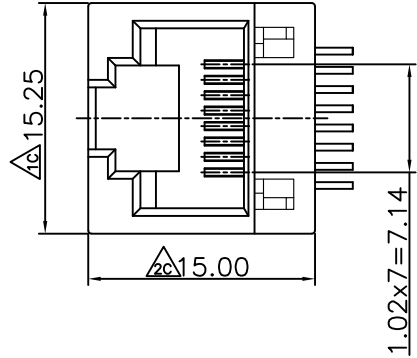


RoHS compliant



NOTES

MATERIAL

- 1. HOUSING MATERIAL : HIGH TEMP THERMOPLASTIC
FLAMMABILITY RATING UL94V-0.
- 2. CONTACT MATERIAL : PHOSPHOR BRONZE T=0.3mm.
- 3. PLATING : GOLD LATING OVER NICKEL IN CONTACT
TIN PLATING OVER NICKEL IN SOLDER AREA.
: PU", 3U", 6U", 15U", 30", 50".

ELECTRICAL

- 1. VOLTAGE RATING : 125 VAC RMS.
- 2. CURRENT RATING : 1.5 AMP.
- 3. CONTACT RESISTANCE : 30 MILLIOHMS MAX.
- 4. INSULATION RESISTANCE : 500 MEGOHMS MIN @ 500V DC .
- 5. DIELECTRIC DIELECTRIC RESISTANCE : 1000V AC RMS 50Hz. 1MIN.

MECHANICAL

- 1. DURRABILITY : 750 CYCLES MIN.
- 2. PCB RETENTIONPRE-SOLDER : 1 LB MIN.

ENVIRONMENTAL:

- 1. STORAGE : -40°C~+85°C.
- 2. OPERATION : -40°C TO 85°C.

P/N:RJ52S-8811-05X5XXJ-1

- GOLD PLATING
 - 1-Gold Flash
 - 2-1u
 - 3-1.5u
 - 4-3u
 - 5-6u
- PLASTIC
 - 1-PBT
 - 2-NY66
 - 3-NY46
 - 4-LCP
 - 5-PA9T
- COLOR
 - 1-BLACK
 - 2-WHITE
 - 3-RED
 - 4-YELLOW
- PACKING TYPE
 - 1-REEL
 - 2-PVC TRAY

| REV | ECN NO | DESCRIPTION | DATE | SIGNATURE | PROJECT | DRAWING NO | REV | A0 | TITLE |
|-----|--------|-------------|------------|-----------|---------|------------|-----|----|-----------------------------|
| A0 | | NEW DESIGN | 2015/09/21 | | | | | | RJ45 8P8C SMT 180° PCB JACK |
| | | | | | | | | | |

X-SHUN 东莞市祥舜电子科技有限公司
 DONGGUAN X-SHUN ELECTRONICTECHNOLOGY CO., LTD
 TEL:+86 769 81885389 FAX:+86 769 81887859
 E-Mail:sales@x-shun.com Http:www.x-shun.com

PART NO. RJ52S-8811-05X5XXJ-1