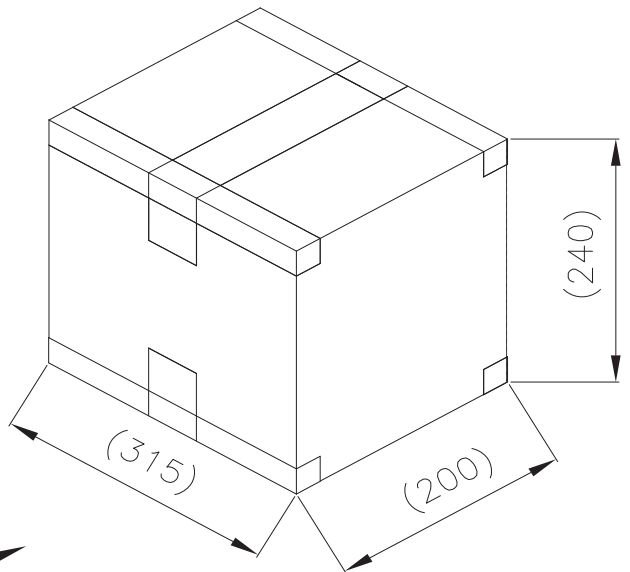
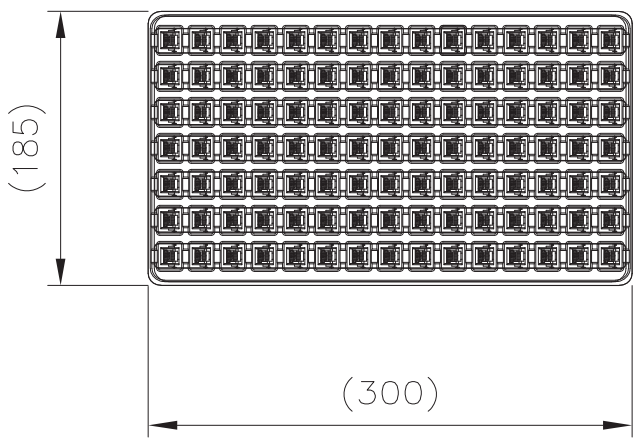
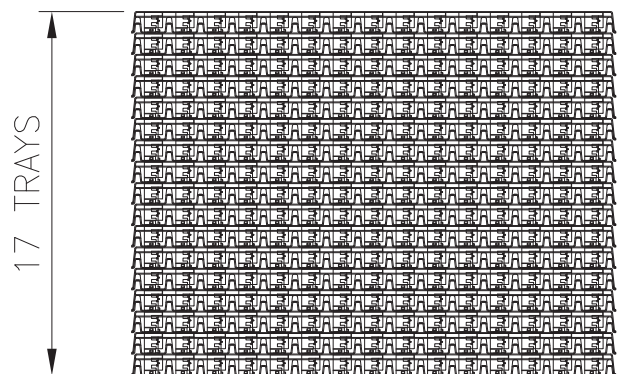


RoHS compliant



PUT 17 TRAYS INTO CARTON

- PACKING QUANTITY:
- 105 PCS PER TRAY.
 - 1785 CONNECTS PER CARTON.



				GENERAL TOLERANCE		DRAWN	<i>Sene Li</i>	UNIT	MM	X-SHUN 东莞市祥舜电子科技有限公司 DONGGUAN X-SHUN ELECTRONICTECHNOLOGY CO., LTD TEL:+86 769 81885389 FAX:+86 769 81887859 E-Mail:sales@x-shun.com Http:www.x-shun.com	
				.X ±0.35	X.° ± 2°	CHECKE		SCALE	1:1	PART NO.	
A0	NEW DESIGN			.XX ±0.25	.X° ± 1°	APPROVE		SHEET		TITLE	
REV	ECN NO	DESCRIPTION	DATE	SIGNATURE	.XXX ±0.15	.XX° ± 0.5°	DRAWING NO	REV	A0	PACKING, RJ11 SIDE ENTRY PCB	

