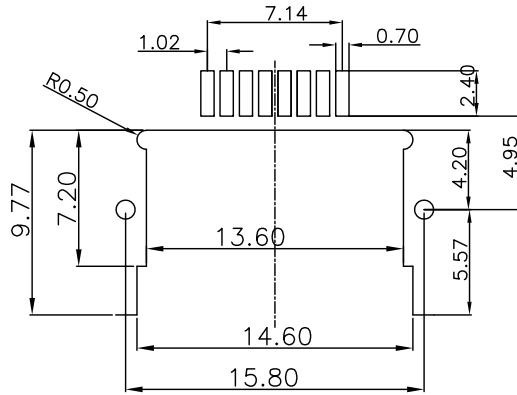
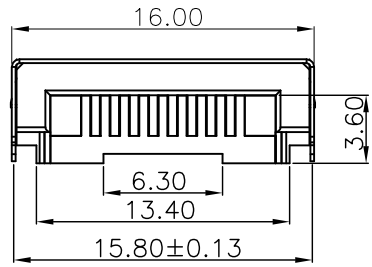
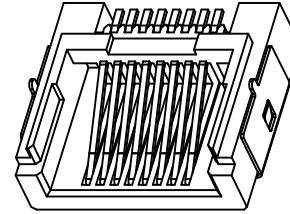
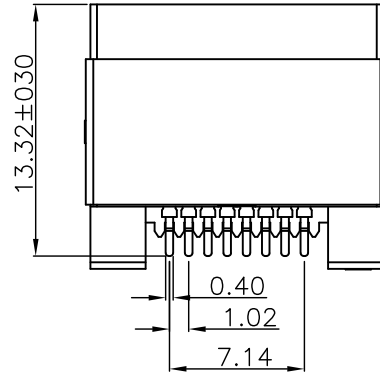
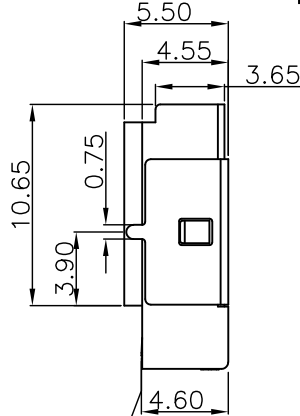
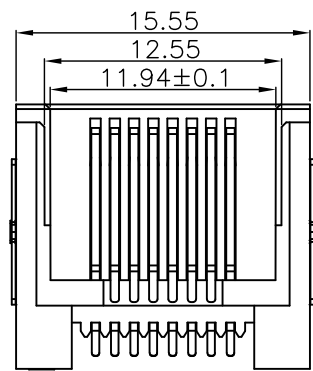


RoHS compliant



PBTLAYOUT  
TOL:±0.05



NOTES

MATERIAL  
1. HOUSING MATERIAL  
2. CONTACT MATERIAL  
3. PLATING

:LCP E130I UL94V-0 BLACK.  
: PHOSPHOR BRONZE T=0.30mm .  
: GOLD FLASH PLATING OVER NICKEL.  
100u"SN PLATED ON SOLDER TALL  
AREA, 50u"NI UNDER PLATED OVER ALL  
: 0.20mm THICKNESS COPPER ALLOY  
WITH NICKEL PLATED.

4. SHIELD

ELECTRICAL

1. VOLTAGE RATING  
2. CURRENT RATING  
3. CONTACT RESISTANCE  
4. INSULATION RESISTANCE  
5. DIELECTRIC DIELECTRIC  
RESISTANCE

: 125 VAC RMS.  
: 1.5 AMP.  
: 40 MILLIOHMS MAX.  
: 500 MEGOHMS MIN @ 100V DC .  
: 500V DC RMS 50Hz. 1MIN.

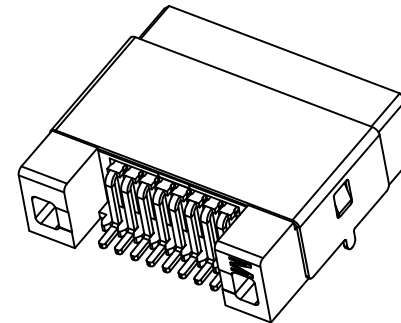
MECHANICAL

1. DURRABILITY : 750 CYCLES MIN.  
2. MATING/UNMATING FORCE: 2.04 KG. F MAX.

ENVIRONMENTAL:

1. STORAGE : -40°C~+85°C.  
2. OPERATION : -40°C~+85°C.

5. ①-④为QIP尺寸.▲为巡检尺寸



P/N:RJ58S-8811-10X116X

GOLD PLATING

1-1u  
2-1.5u  
3-3u  
4-6u

COLOR

1-BLACK  
2-WHITE  
3-RED  
4-YELLOW

TAPE REEL  
0-TAPE REEL  
P-PVC TRAY

				GENERAL TOLERANCE		DRAWN	<i>Sena Li</i>	2021/07/12	UNIT	MM	<b>东莞市祥舜电子科技有限公司</b> DONGGUAN X-SHUN ELECTRONICTECHNOLOGY CO., LTD TEL:+86 769 81885389 FAX:+86 769 81887859 E-Mail:sales@x-shun.com Http:www.x-shun.com	
				.X ±0.35	X.° ± 2°	CHECKE	GM		SCALE	1:1		
				.XX ±0.25	.X° ± 1°	APPROVE			SHEET			
				.XXX ±0.15	.XX° ± 0.5°	DRAWING NO			REV	A0		
A0		NEW DESIGN	2021/07/12								PART NO.	RJ58S-8811-10X116X
REV	ECN NO	DESCRIPTION	DATE	SIGNATURE	PROJECT						TITLE	RJ45沉板4.6 SMT