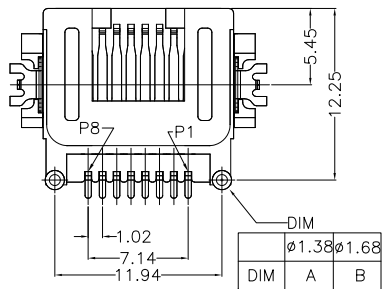
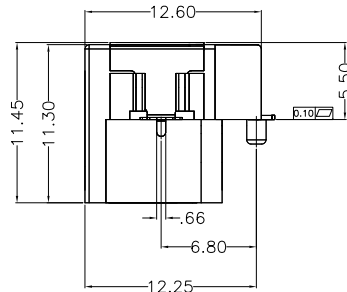
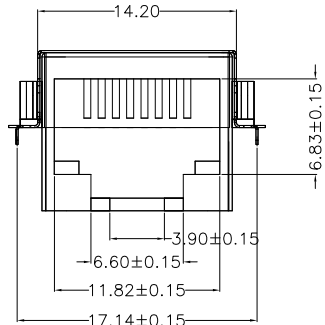
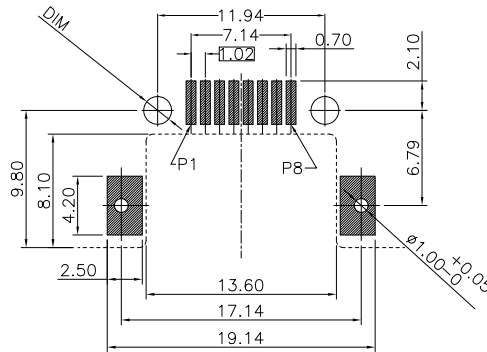


RoHS compliant



DIM	A	B
	1.70	2.00



RECOMMENDED PCB LAYOUT
PTOLERANCE = ±0.05

SPECIFICATION NOTES:

ELECTRICAL:

- 1.VOLTAGE RATING: 125 VAC RMS
- 2.CURRENT RATING: 1.5 AMP
- 3.CONTACT RESISTANCE: 20mΩ MAX.
- 4.INSULATION RESISTANCE: 1000MΩ MIN. AT500V DC.
- 5.DIELECTRIC STRENGTH: 1000 V AC OR 1500V DC RMS AT 0.5mA 50 Hz / 60 Hz FOR 1MINUTE

MECHANICAL:

- 1.HOUSING:LCP BLACK, UL 94V-0
- 2.CONTACT:PHOSPHOR BRONZE T=0.30MM
- 3.PLATING:GOLD PLATING AT CONTACT AREA, MATTE TIN AT TAIL 100U MIN., NICKEL 30U MIN. OVER ALL.
- 4.SHELL:BRASS T=0.15
- 5.OPERATING LIFE:750 CYCLES MIN.
- 6.MATING/UNMATING FORCE: 30N/3.06KGf MAX.
- 7.RETENTION STRENGTH:50N OR 30N MIN.FOR 60S±5S

ENVIRONMENTAL:

- 1.STORAGE:-40°C TO +85°C RELATIVE HUMIDITY<80%
- 2.GUARANTEE PERIOD:12 MONTHS
- 3.OPERATION: -40°C TO +85°C
- 4.MANUAL SOLDERING PARAMETERS:24H IR TEMPERATURE: 260±5°C 5~10 SECONDS.

P/N: RJ58S-8811-20X414X

GOLD PLATING
1-1u
2-1.5u
3-3u
4-6u

TAPE REEL
R-TAPE REEL
P-PVC TRAY

				GENERAL TOLERANCE		DRAWN	Gene Li	UNIT	MM	东莞市祥舜电子科技有限公司 DONGGUAN X-SHUN ELECTRONIC TECHNOLOGY CO., LTD TEL:+86 769 81885389 FAX:+86 769 81887859 E-Mail:sales@x-shun.com Http:www.x-shun.com			
				.X	±0.35	X.°	± 2°	CHECKE	HLL		SCALE	1:1	
				.XX	±0.25	.X°	± 1°	APPROVE		SHEET		PART NO.	RJ58S-8811-20X414X
				.XXX	±0.15	.XX°	± 0.5°	DRAWING NO		REV	A0	TITLE	RJ45 正向沉板 SMT (H=5.5铜壳)
REV	ECN NO	DESCRIPTION	DATE	SIGNATURE	PROJECT								