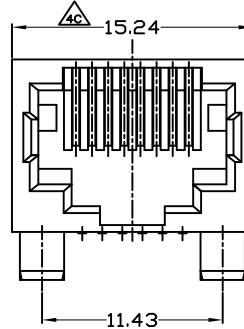
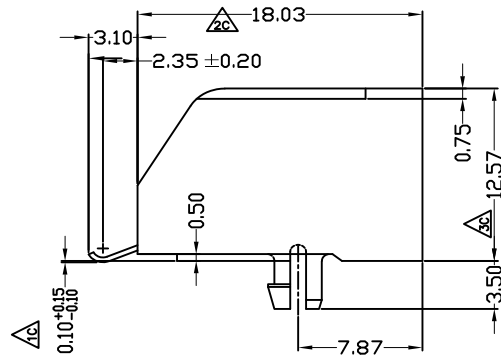
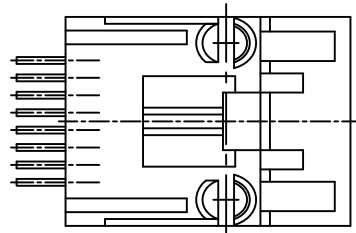
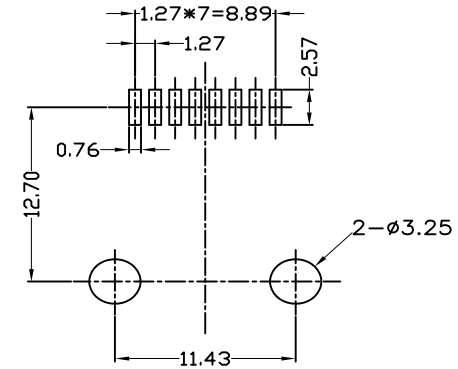


RoHS compliant



PCB LAYOUT/TOP VIEW



Electrical:

- 1.Voltage Rating: 125 Vac Rms
- 2.Current Rating: 1.5 Amp
- 3.Contact Resistance: 40 Milliohms Max
- 4.Insulation Resistance: 1000 Megohms Min@500 Vdc
- 5.Dielectric Strength: 1000 Vac Rms 60Hz, 1Min

Mechanical:

- 1.Operating: 750 Cycles Min

Environmental:

- 1.Storage: -40°C To +85°C
- 2.Opertion: -20°C To +75°C

Mates With Modular Plug Conforming To FCC Part 68,Subpart F

Notes:

MATERIALS

HOUSING: HIGH TEMP THERMOPLASTIC FLAMMABILITY UL 94V-0

CONTACTS: PHOSPHOR BRONZE

PLATING: GOLD PLATING OVER NICKEL IN CONTACT  
TIN PLANTING OVER NICKEL IN SOLDER AREA

PART NUMBER:

P/N 料号	DESCRIPTION 描述	MATER COLOR 材质	GOLD PLATING 电镀
RJ57B-8811-02151S	5722 8P8C SMT 90° PCB JACK	PA9T BLACK 黑	1U"
RJ57B-8811-02551S	5722 8P8C SMT 90° PCB JACK	PA9T BLACK 黑	6U"
RJ57B-8811-02651S	5722 8P8C SMT 90° PCB JACK	PA9T BLACK 黑	15U"
RJ57B-8811-02751S	5722 8P8C SMT 90° PCB JACK	PA9T BLACK 黑	30U"

GENERAL TOLERANCE

.X	±0.35	X.°	± 2°
.XX	±0.25	.X.°	± 1°
.XXX	±0.15	.XX.°	± 0.5°

DRAWN

Gene Li

2018/09/03

UNIT

MM

CHECKE

GC

SCALE

1:1

APPROVE

DRAWING NO

SHEET

REV

A0

**X-SHUN** 东莞市祥舜电子科技有限公司  
DONGGUAN X-SHUN ELECTRONICTECHNOLOGY CO., LTD  
TEL:+86 769 81885389 FAX:+86 769 81887859  
E-Mail:sales@x-shun.com Http:www.x-shun.com

PART NO.

SEE TABLE

TITLE

5722 8P8C SMT PCB JACK

REV	ECN NO	DESCRIPTION	DATE	SIGNATURE	PROJECT	DRAWING NO	REV	A0	TITLE
A0		NEW DESIGN	2018/09/03						5722 8P8C SMT PCB JACK