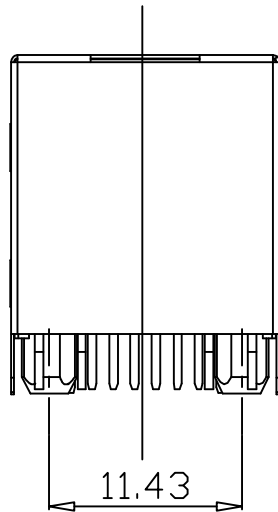
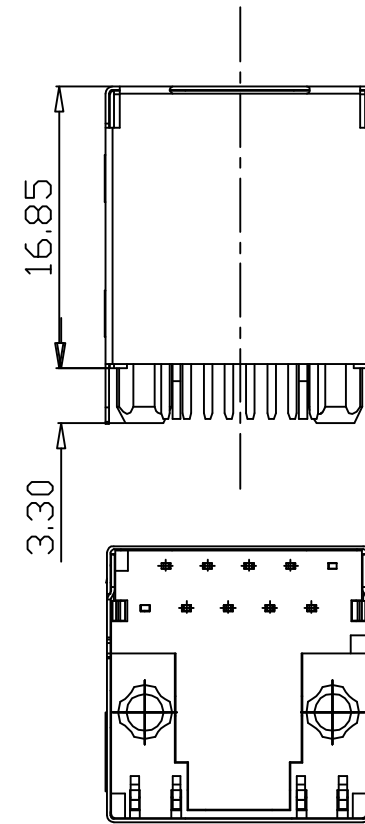
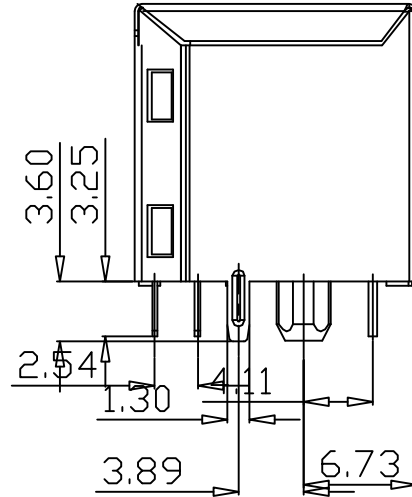
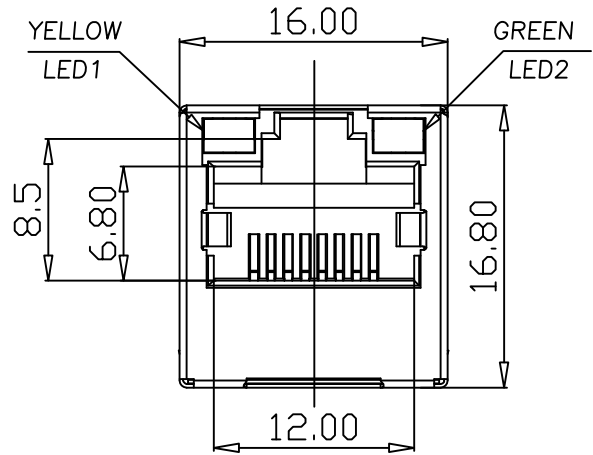


RoHS compliant

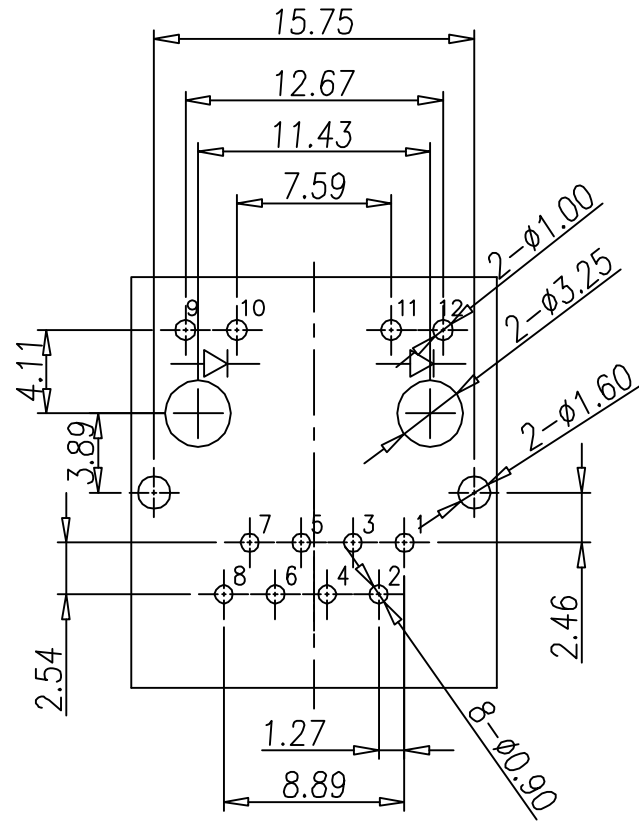
1. MECHANICAL DIMENSIONS :



				GENERAL TOLERANCE		DRAWN	<i>Sena Li</i>	2018/03/21	UNIT	MM	X-SHUN 东莞市祥舜电子科技有限公司 DONGGUAN X-SHUN ELECTRONICTECHNOLOGY CO., LTD		
				.X	±0.35	X.°	± 2°	CHECKE	19	SCALE	1:1	TEL:+86 769 81885389 E-Mail:sales@x-shun.com	
				.XX	±0.25	.X.°	± 1°	APPROVE		SHEET	1/3	FAX:+86 769 81887859 Http:www.x-shun.com	
A0		NEW DESIGN	2018/03/21	.XXX	±0.15	.XX.°	± 0.5°			PART NO.	205111-111B-B501		
REV	ECN NO	DESCRIPTION	DATE	SIGNATURE	PROJECT			DRAWING NO		REV	A0	TITLE	RJ45+TRANSFORMER 10/100BASE 180° W/LED

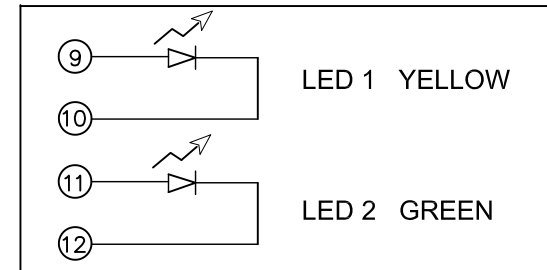
RoHS compliant

2. PCB LAYOUT :



Suggested PCB Layout(Component side view)

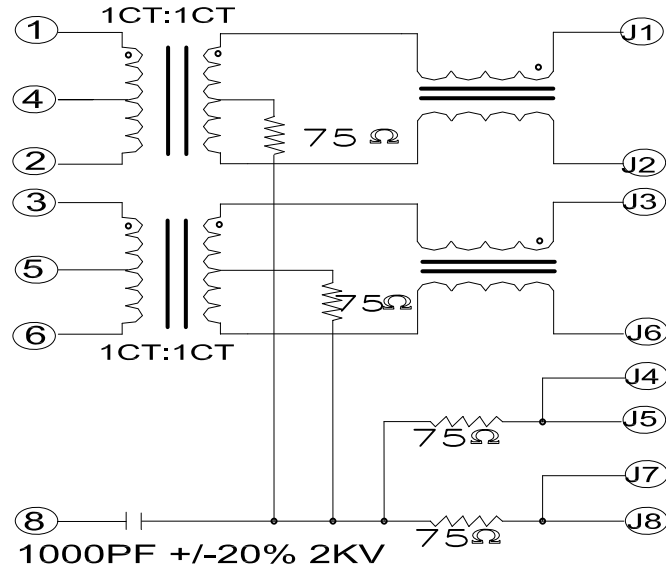
3. LED Configuration :



					GENERAL TOLERANCE		DRAWN	<i>Sene Li</i>	2018/03/21	UNIT	MM	X-SHUN 东莞市祥舜电子科技有限公司 DONGGUAN X-SHUN ELECTRONICTECHNOLOGY CO., LTD	
					.X	±0.35	X.°	± 2°	CHECKE	19	SCALE	1:1	TEL:+86 769 81885389
					.XX	±0.25	.X.°	± 1°	APPROVE		SHEET	2/3	E-Mail:sales@x-shun.com
A0		NEW DESIGN	2018/03/21		.XXX	±0.15	.XX.°	± 0.5°			PART NO.	205111-111B-B501	
REV	ECN NO	DESCRIPTION	DATE	SIGNATURE	PROJECT		DRAWING NO			REV	A0	TITLE	RJ45+TRANSFORMER 10/100BASE 180° W/LED

RoHS compliant

4. SCHEMATIC :



5. NOTES :

ELECTRICAL:

CURRENT RATING: 1.5A
 VOLTAGE RATING: 125V AC
 INSULATION RESISTANCE: 500MΩ Mini
 WITHSTAND VOLTAGE: AC 1500 V RMS 50Hz OR 60Hz 1 Min
 CONTACT RESISTANCE: 20mΩ Max
 TR: 1:1±5%
 INSERTION FORCE: 2 CONTACTS----350g 4 CONTACTS----500g
 6 CONTACTS----750g 8 CONTACTS----900g

MECHANICAL:

RETENTION STRENGTH: 7.7Kg BETWEEN JACK AND PLUG
 DURABILITY: 750 MATING CYCLES Mini

HOUSING: 1) GLASS FILLED PA66 (UL 94V-0)
 2) GLASS FILLED PA46 (UL 94V-0)
 3) GLASS FILLED PBT (UL 94V-0)

MATERIAL:

SPRING WIRE: 1) 0.45*0.35mm DIA PHOSPHOR BRONZE GOLD PLATING OVER NICKEL
 2) 0.35mm THICKNESS PHOSPHOR BRONZE ALLOY SELECTIVE GOLD PLATING OVER NICKEL

SHIELDING: 0.20mm THICKNESS COPPER ALLOY WITH TIN PLATED

GOLD PLATING: 3u', 6u', 15u', 30u', 50u'

WORKING TEMPERATURE: -40 °C-85 °C

ELECTRICAL SPECIFICATIONS AT 25 °C

Insertion Loss dB max	Return Loss dB min			Crosstalk(db TYP)			Common Mode Rejection (dB TYP)		Hipot(vrms)
	1-100MHz	1-30MHz	30- 60MHz	60- 80MHz	1-30MHz	30- 60MHz	60- 80MHz	1-100MHz	
-1.0	-20	-16	-12	-30	-30	-30	-30	-20	1500

				GENERAL TOLERANCE		DRAWN	<i>Sene Li</i>	2018/03/21	UNIT	MM	X-SHUN 东莞市祥舜电子科技有限公司 DONGGUAN X-SHUN ELECTRONICTECHNOLOGY CO., LTD TEL:+86 769 81885389 FAX:+86 769 81887859 E-Mail:sales@x-shun.com Http:www.x-shun.com
				.X ±0.35	X.° ± 2°	CHECKE	19		SCALE	1:1	
A0	NEW DESIGN			2018/03/21			APPROVE		SHEET	3/3	PART NO. 205111-111B-B501
REV	ECN NO	DESCRIPTION	DATE	SIGNATURE	PROJECT	DRAWING NO			REV	A0	TITLE RJ45+TRANSFORMER 10/100BASE 180° W/LED