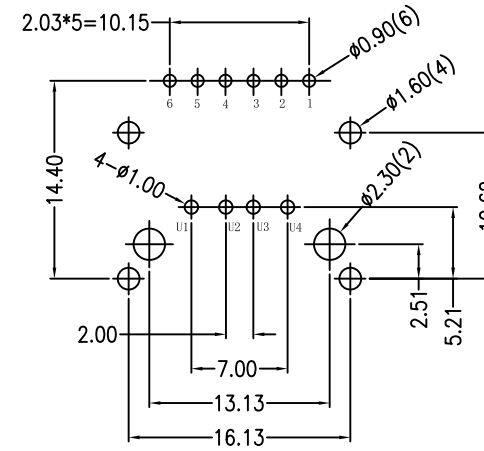
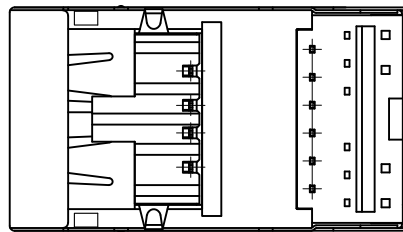
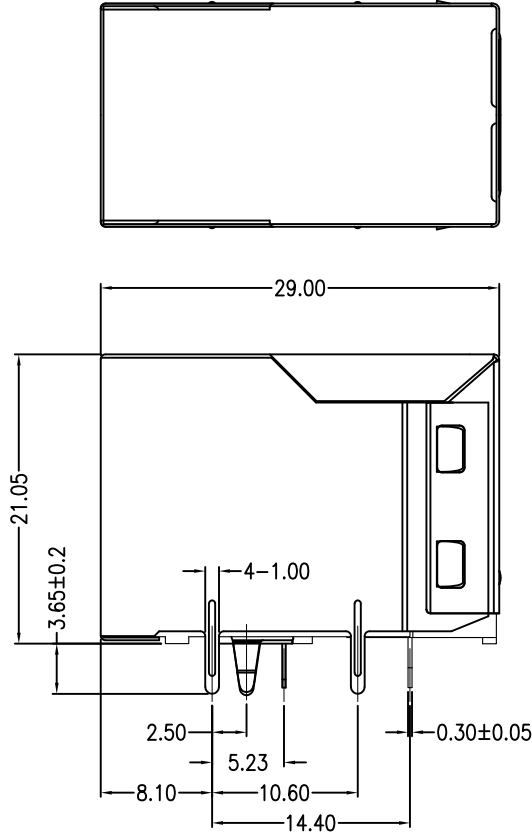
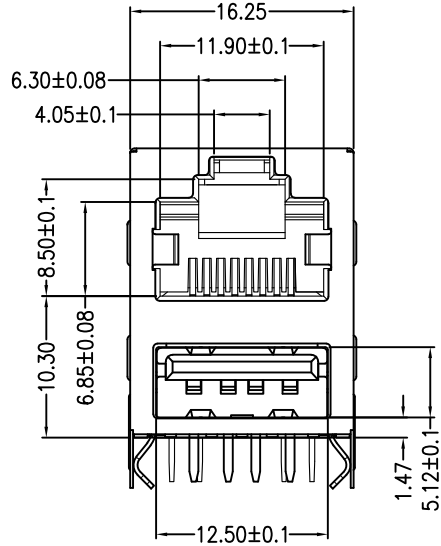


RoHS compliant

MECHANICAL :



RECOMMENED PCB LAYOUT
COMPONENT SIDE
TOLERANCE ±0.05

NOTES:

- 1.MATERIAL:
HOUSING:PBT PLASTIC BLACK(UL94V-0)
CONTACT:PHOSPHOR BORNZE
SHELL:SUS201-1/2H T=0.20MM
- 2.FINISHED:
CONTACT:50u"MIN. NICKEL UNDERPLATING ALL AREA,
100u"MIN. TIN ON SOLDER TAILS,
SELECT G/F PLATING ON CONTACT AREA.
SHELL:30u"MIN. NICKEL PRE-PLATING ALL AREA
- 3.USB MECHANICAL:
HOUSING:PBT
CONTACT:PHOSPHOR BORNZE
G/F PLATING ON CONTACT AREA
SHELL:SPCC
- 4.JACK CAVITY CONFORMS TO FCC RULES AND REGULATIONS PART 68, SUBPART F

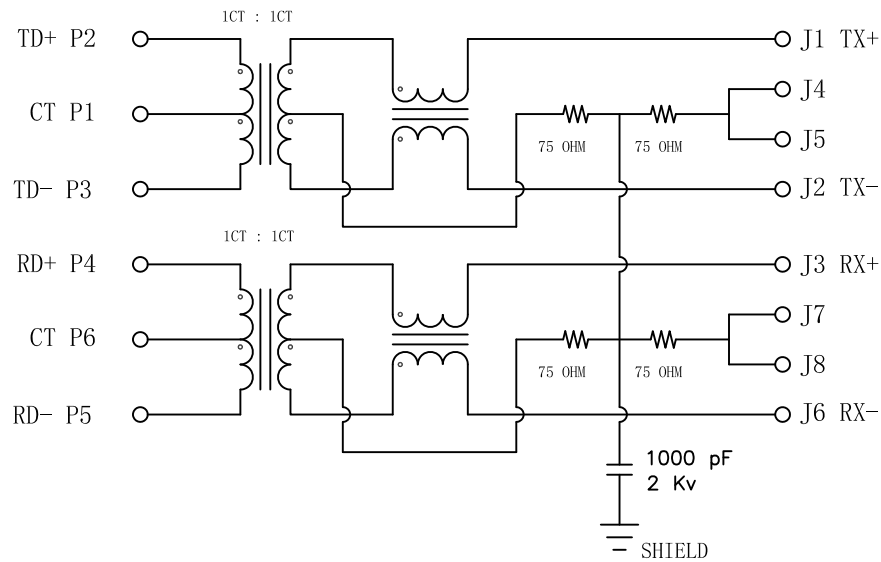
				GENERAL TOLERANCE		DRAWN	<i>Gene Li</i>	2016-05-20	UNIT	MM	东莞市祥舜电子科技有限公司 DONGGUAN X-SHUN ELECTRONIC TECHNOLOGY CO., LTD TEL:+86 769 81885389 FAX:+86 769 81887859 E-Mail:sales@x-shun.com Http:www.x-shun.com
				.X ±0.35	X.° ± 2°	CHECKE	ZCB	SCALE	1:1	PART NO.	
A0		NEW DESIGN	2016/05/20			APPROVE		SHEET		TITLE	RJ45+USB2.0 10/100BASE
REV	ECN NO	DESCRIPTION	DATE	SIGNATURE	PROJECT	DRAWING NO		REV	A0		

RoHS compliant

SCHEMATIC

INPUT

RJ45



ELECTRICAL CHARACTERISTICS(25±5°C)

1. TR:(100KHz,0.1V); 100%
PINS:(P2,P3):(J1,J2)=1:1±3%;(P4,P5):(J3,J6)=1:1±3%
2. LX:(100KHz,100mV,8mA, DC Bias) 100%
PINS:(P2,P3),(P4,P5)=350uH MINIMUM
3. DCR: 100%
PINS:(J1,J2),(J3,J6)=1.2 Ω MAXIMUM
4. HIPOT: 100%
PINS(P2,P3)TO(J1,J2),(P4,P5)TO(J3,J6)=1500VAC FOR 60 SECONDS
5. INSERTION LOSS:
-1.0dB MAXIMUM AT 1MHz TO 100MHz;
6. RETURN LOSS:
-18dB MINIMUM AT 1MHz TO 30MHz;
-16dB MINIMUM AT 30MHz TO 60MHz
-12dB MINIMUM AT 60MHz TO 80MHz
7. CROSS TALK:
-30dB MINIMUM AT 1MHz TO 100MHz
8. COMMON TO COMMON MODE REJECTION:
-30dB MINIMUM AT 1MHz TO 100MHz

				GENERAL TOLERANCE		DRAWN	<i>Gene Li</i>	2016-05-20	UNIT	MM	东莞市祥舜电子科技有限公司 DONGGUAN X-SHUN ELECTRONIC TECHNOLOGY CO., LTD TEL:+86 769 81885389 FAX:+86 769 81887859 E-Mail:sales@x-shun.com Http:www.x-shun.com	
				.X ±0.35	X.° ± 2°	CHECKE	ZCB		SCALE	1:1		
A0		NEW DESIGN	2016/05/20			APPROVE			SHEET		PART NO.	206114-1110-B601
REV	ECN NO	DESCRIPTION	DATE	SIGNATURE	PROJECT	DRAWING NO			REV	A0	TITLE	RJ45+1USB2.0 10/100BASE