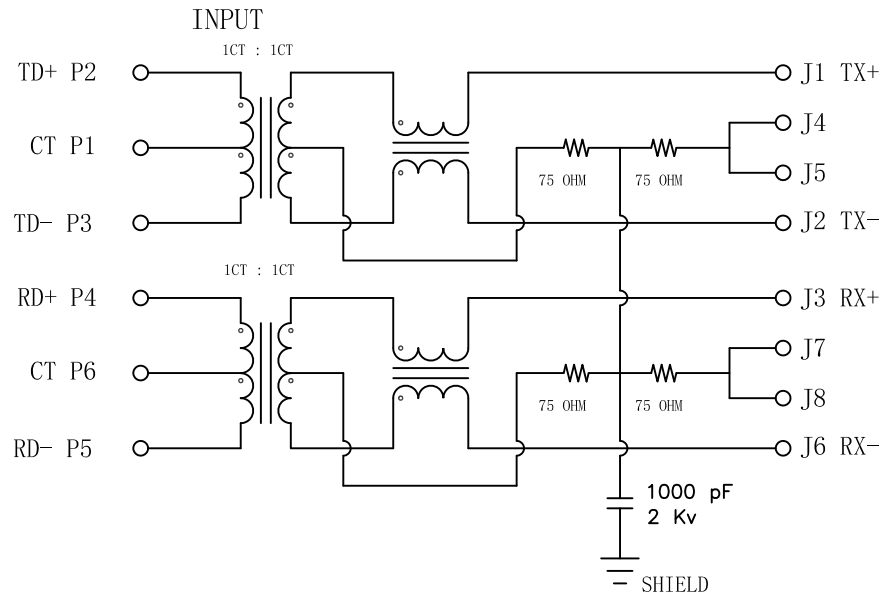


RoHS compliant

SCHEMATIC

RJ45



ELECTRICAL CHARACTERISTICS(25±5°C)

1. TR:(100KHz,0.1V);
PINS:(P2,P3):(J1,J2)=1:1±3%;(P4,P5):(J3,J6)=1:1±3%
2. LX:(100KHz,100mV,8mA, DC Bias)
PINS:(P2,P3),(P4,P5)=350uH MINIMUM
3. DCR:
PINS:(J1,J2),(J3,J6)=1.2 Ω MAXIMUM
4. HIPOT:
PINS(P2,P3)TO(J1,J2),(P4,P5)TO(J3,J6)=1500VAC FOR 60 SECONDS
5. INSERTION LOSS:
-1.0dB MAXIMUM AT 1MHz TO 100MHz;
6. RETURN LOSS:
-18dB MINIMUM AT 1MHz TO 30MHz;
-16dB MINIMUM AT 30MHz TO 60MHz
-12dB MINIMUM AT 60MHz TO 80MHz
7. CROSS TALK:
-30dB MINIMUM AT 1MHz TO 100MHz
8. COMMON TO COMMON MODE REJECTION:
-30dB MINIMUM AT 1MHz TO 100MHz

				GENERAL TOLERANCE		DRAWN	<i>Gene Li</i>	2017-08-19	UNIT	MM	东莞市祥舜电子科技有限公司 DONGGUAN X-SHUN ELECTRONIC TECHNOLOGY CO., LTD TEL:+86 769 81885389 FAX:+86 769 81887859 E-Mail:sales@x-shun.com Http:www.x-shun.com	
				.X ±0.35	X.° ± 2°	CHECKE	ZCB	1/2	SCALE	1:1		
A0		NEW DESIGN	2017/08/19			APPROVE			SHEET		PART NO.	206124-111J-B602
REV	ECN NO	DESCRIPTION	DATE	SIGNATURE	PROJECT	DRAWING NO			REV	A0	TITLE	RJ45+USB ICM(10/100 Base-T 1 Port)