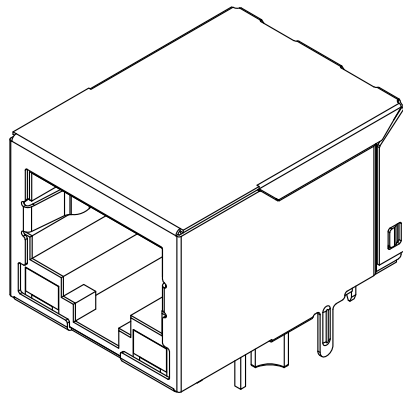
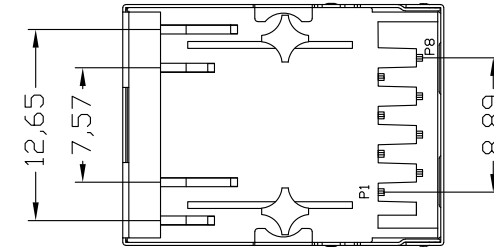
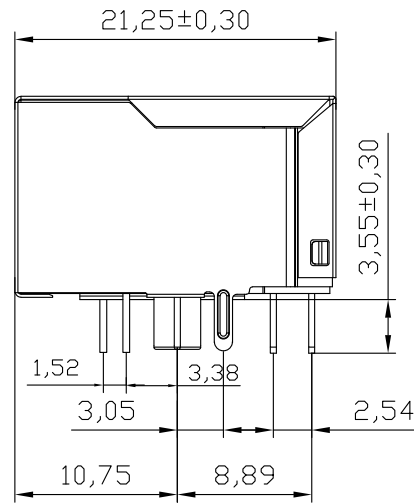
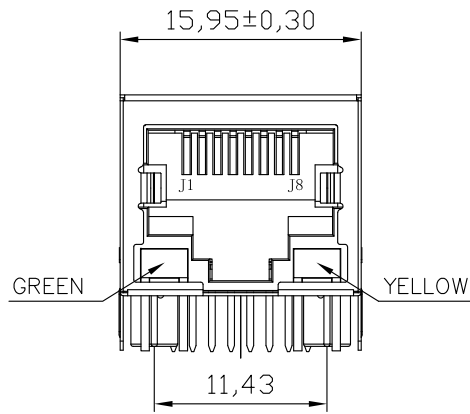
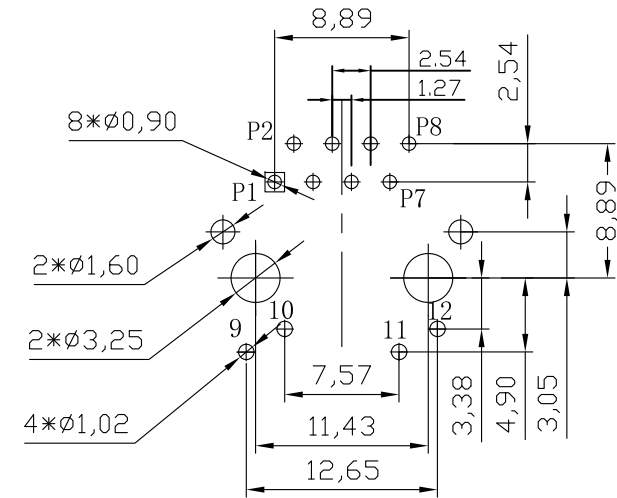


RoHS compliant

MECHANICAL:



Housing :Thermoplastic,PBT,UL 94V-0,Black  
 Insert:Thermoplastic,PBT,UL 94V-0,Black  
 Contact/Shield:Copper alloy  
 Shield Plating:Nickel  
 Contact Plating:Selective gold 6u" Min



RECOMMENDED P.C.B LAYOUT(PCB THICKNESS: 1.6mm)  
 COMPONENT SIDE VIEW(TOLERANCE: ±0.05mm)

				GENERAL TOLERANCE		DRAWN	<i>Sene Li</i>	2019/05/23	UNIT	MM	<b>X-SHUN</b> 东莞市祥舜电子科技有限公司 DONGGUAN X-SHUN ELECTRONIC TECHNOLOGY CO., LTD TEL:+86 769 81885389 FAX:+86 769 81887859 E-Mail:sales@x-shun.com Http:www.x-shun.com
				.X ±0.35	X.° ± 2°	CHECKE	YLT		SCALE	1:1	
				.XX ±0.25	.X° ± 1°	APPROVE			SHEET	1/2	
A0		NEW DESIGN	2019/05/23	.XXX ±0.15	.XX° ± 0.5°				PART NO.	201111-111A-B102	
REV	ECN NO	DESCRIPTION	DATE	SIGNATURE	PROJECT	DRAWING NO		REV	A0	TITLE	RJ45 100BASE-TX 1X1 TAB-DOWN W/LED W/SHIELD

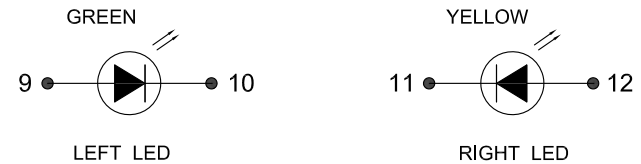
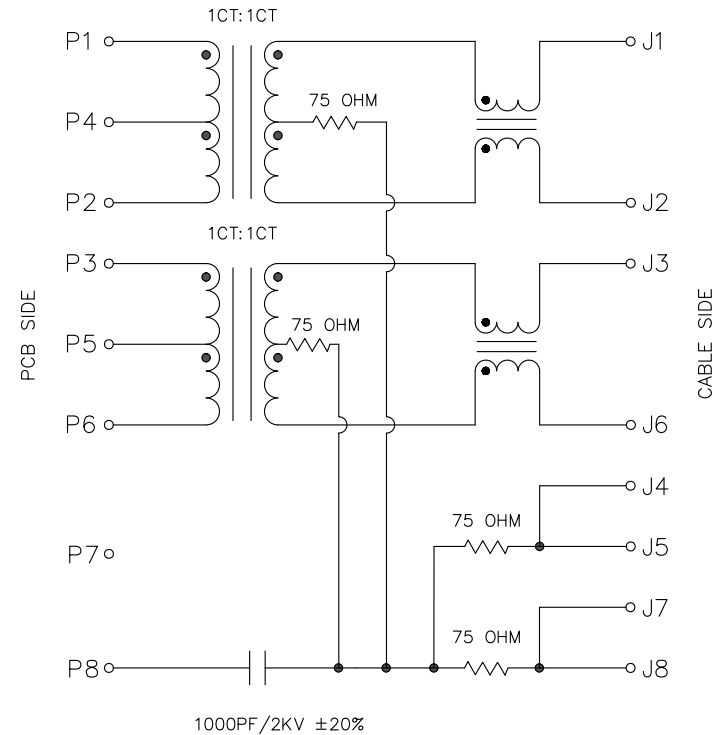
**RoHS compliant**

**ELECTRICAL SPECIFICATIONS@25°C UNLESS OTHERWISE NOTED:**

1. Turn Ratio(+/-5%): 1CT:1CT
2. Inductance OCL: 350uH Min @100KHz/0.1V/ 8mA DC Bias
3. Insertion Loss:
  - 1.0dB Max 1-100MHz
4. Return Loss:
  - 18dB Min 1-30MHz 100Ω
  - 15dB Min 30-60MHz 100Ω
  - 12dB Min 60-80MHz 100Ω
  - 10dB Min 80-100MHz 100Ω
5. Cross talk:
  - 30dB Min 1-100MHz
6. Common Mode Rejection:
  - 30dB Min 1-100MHz
7. Hipot Test:
  - 1700VDC 3S 1mA Max
8. Operating Temperature Range: 0°C ~ +70°C
9. RJ45 Meets IEEE 802.3 Standards.
10. RJ45 Cavities Conform To FCC Rules And Regulation
  - Part 68 Subpart F.

Emitting Color	λd (nm)typ	Vf@If=20mA	Ir@Vr=5V
GREEN	565nm	1.8-2.4V	10uA Max
YELLOW	585nm	1.8-2.4V	10uA Max

**SCHEMATICS**



				GENERAL TOLERANCE		DRAWN	<i>Sene Li</i>	2019/05/23	UNIT	MM	<b>X-SHUN</b> 东莞市祥舜电子科技有限公司 DONGGUAN X-SHUN ELECTRONIC TECHNOLOGY CO., LTD		
				.X	±0.35	X.°	± 2°	CHECKE	YLT		SCALE	1:1	TEL:+86 769 81885389 FAX:+86 769 81887859
				.XX	±0.25	.X°	± 1°	APPROVE			SHEET	2/2	E-Mail:sales@x-shun.com Http:www.x-shun.com
A0		NEW DESIGN	2019/05/23	.XXX	±0.15	.XX°	± 0.5°				PART NO.	201111-111A-B102	
REV	ECN NO	DESCRIPTION	DATE	SIGNATURE	PROJECT	DRAWING NO			REV	A0	TITLE	RJ45 100BASE-TX 1X1 TAB-DOWN W/LED W/SHIELD	