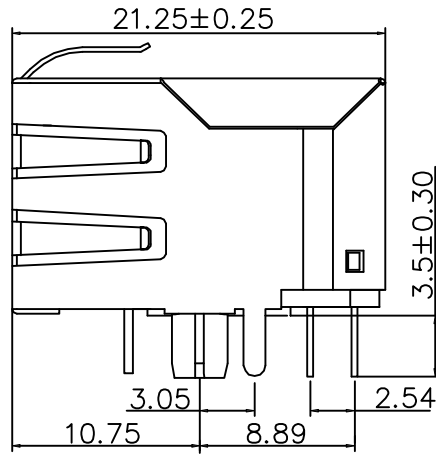
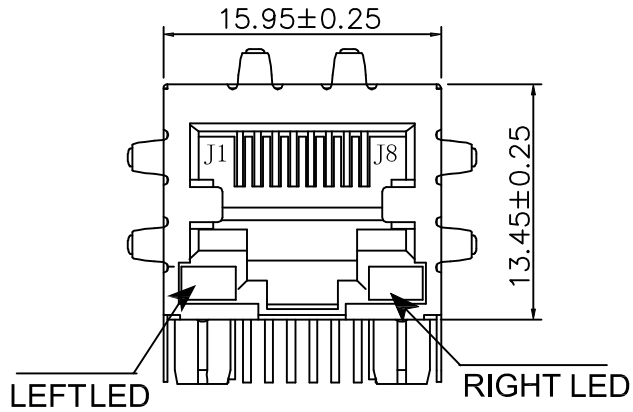


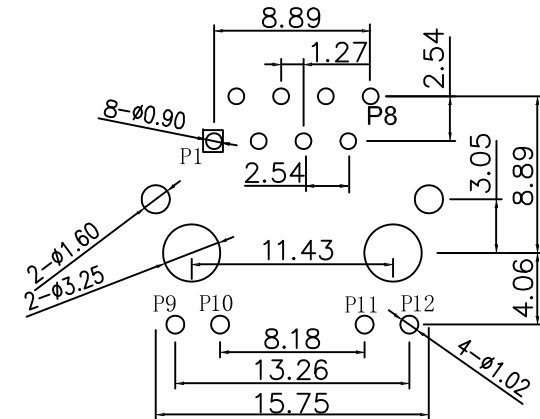
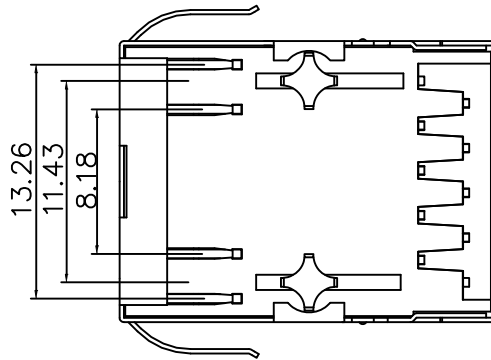
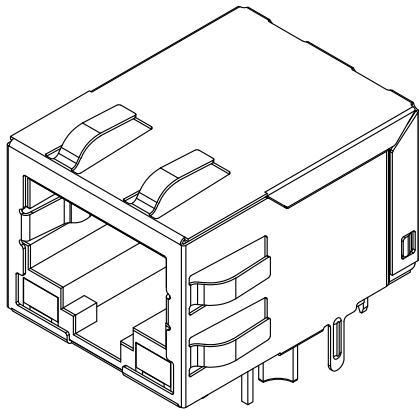
RoHS compliant

MECHANICAL:



Connect Material:

- 1.Housing: Thermoplastic,PBT,UL94V-0,Color:Black;
- 2.Insert: Thermoplastic,PBT,UL 94V-0,Color:Black;
- 3.Shield: Brass T=0.2mm,20u" Min Nickel Overall Plated;
- 4.Input Terminal: Brass T=0.35mm
- 5.Input And RJ45 Contact Terminal Plating:
50u" Min Ni UnderPlated Overall,80u" Min Tin On Solder Area;
- 6.RJ45 Contacts Terminal: Phosphor Bronze T=0.35mm
Selective 6u" Gold Plated On Contact Area;

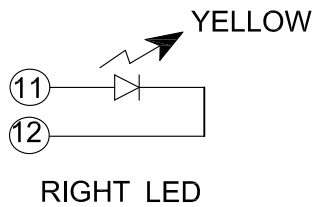
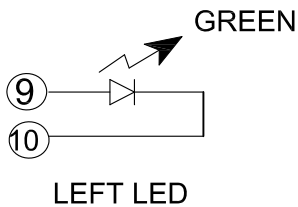
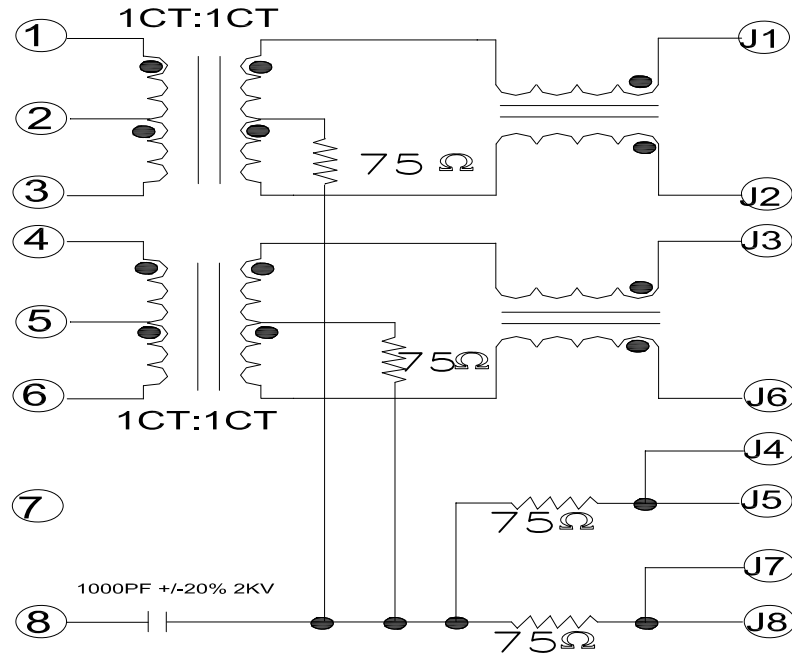


P. C. B RECOMMENDED HOLE LAYOUT SEEN FROM COMPONENT SIDE.
ALL CENTERLINE DIMENSIONS ARE BASIC

				GENERAL TOLERANCE		DRAWN	<i>Sene Li</i>	2019/03/10	UNIT	MM	X-SHUN 东莞市祥舜电子科技有限公司 DONGGUAN X-SHUN ELECTRONIC TECHNOLOGY CO., LTD TEL:+86 769 81885389 FAX:+86 769 81887859 E-Mail:sales@x-shun.com Http:www.x-shun.com	
				.X ±0.35	X.° ± 2°	CHECKE	ZLT		SCALE	1:1		
A0		NEW DESIGN	2019/03/10			APPROVE			SHEET	1 OF 1	PART NO.	201122-111A-B103
REV	ECN NO	DESCRIPTION	DATE	SIGNATURE	PROJECT	DRAWING NO			REV	A0	TITLE	RJ45-100BASE 1X1 TAB-DOWN W/ LED W/ SHIELD

RoHS compliant

SCHEMATICS



ELECTRICAL SPECIFICATIONS@25°C UNLESS OTHERWISE NOTED:

1. Turn Ratio(+/-5%): 1CT:1CT
2. Inductance OCL: 350uH Min @100KHz/0.1V/ 8mA DC Bias
3. Insertion Loss:
 - 1.0dB Max 1-100MHz
4. Return Loss:
 - 18dB Min 1-30MHz
 - 15dB Min 30-60MHz
 - 12dB Min 60-80MHz
 - 10dB Min 80-100MHz
5. Cross talk:
 - 30dB Min 1-100MHz
6. Common Mode Rejection:
 - 30dB Min 1-100MHz
7. Hipot Test: (pcb side to cable side)
 - 2250VDC 3S 1mA Max
8. Operating Temperature Range: 0°C ~ +70°C
9. Storage Temperature Range: -40°C ~ +85°C
10. The Part Is Recommended For Wave Soldering Process .
11. RJ45 Meets IEEE 802.3 Standards.
12. RJ45 Cavities Conform To FCC Rules And Regulation Part 68 Subpart F.
13. LED Specification:

Standard LED Color	LED Wavelength	Foward(A)	Foward(V)
Green	568nm	20mA	1.85-2.45V
Yellow	585nm	20mA	1.7-2.2V

REV	ECN NO	DESCRIPTION	DATE	SIGNATURE	PROJECT	DRAWING NO	REV	A0	TITLE
A0		NEW DESIGN	2019/03/10						RJ45-100BASE 1X1 TAB-DOWN W/ LED W/ SHIELD

X-SHUN 东莞市祥舜电子科技有限公司
 DONGGUAN X-SHUN ELECTRONICTECHNOLOGY CO., LTD
 TEL:+86 769 81885389 FAX:+86 769 81887859
 E-Mail:sales@x-shun.com Http:www.x-shun.com

PART NO. 201122-111A-B103

GENERAL TOLERANCE

.X ±0.35 X.° ± 2°

.XX ±0.25 .X° ± 1°

.XXX ±0.15 .XX° ± 0.5°

DRAWN

Sema Li

2019/03/10

UNIT

MM

CHECKE

ZLT

SCALE

1:1

APPROVE

SHEET

2 OF 2

PROJECT



DRAWING NO

REV

A0