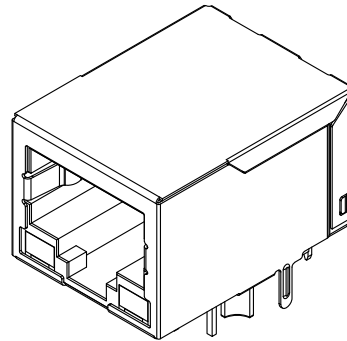
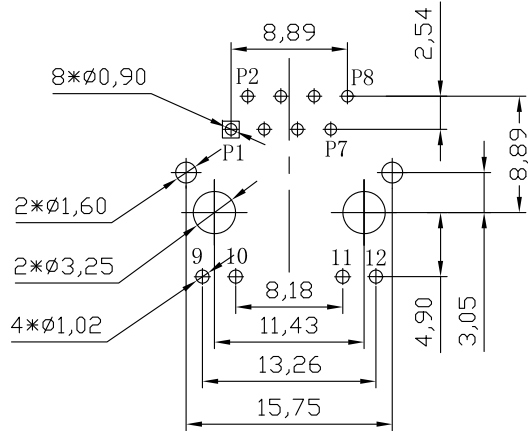
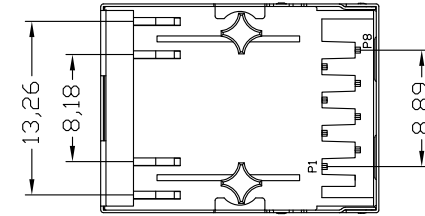
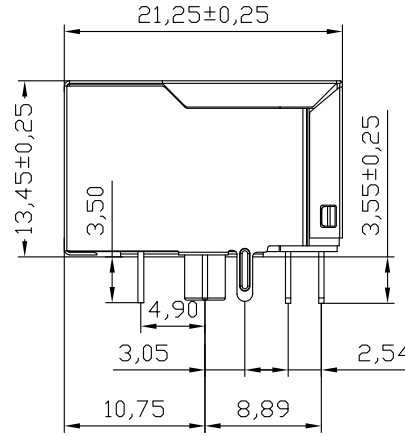
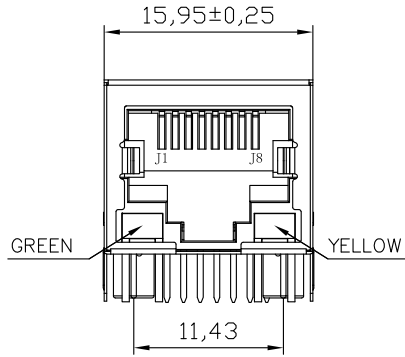


RoHS compliant



**MATERIAL:**

HOUSING: PBT,UL94V-0,BLACK.  
 TERMINALS BRACKET: PBT,UL94V-0,BLACK.  
 SHIELD: C2680,T=0.20MM,NICKEL PLATING ON ALL AREA.  
 TERMINAL: PHOSPHOR BRONZE C5210,T=0.35MM,  
 6U" GOLD PLATING ON CONTACT AREA.

**MECHANICAL:**

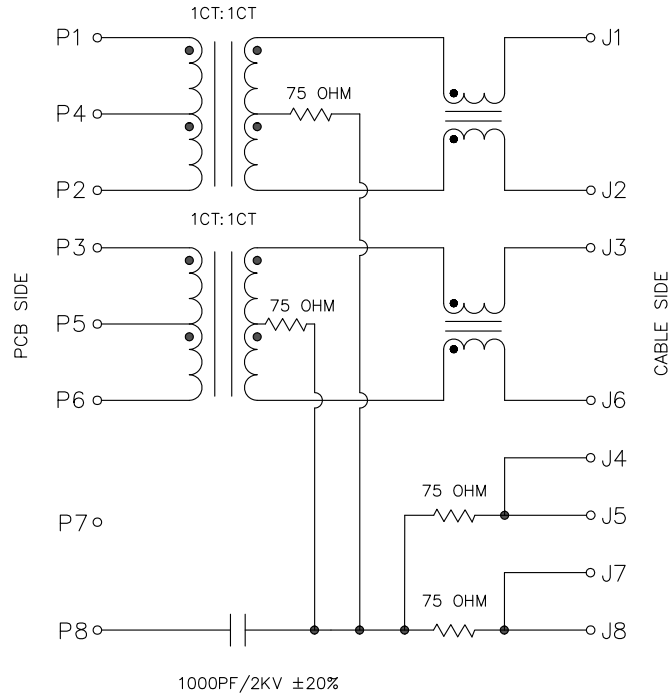
DURABILITY: 750 CYCLES MIN.  
 MATING FORCE: 23N MAX.  
 OPERATING TEMPERATURE: -40°C~+85°C.  
 STORAGE TEMPERATURE: -40°C~+85°C.

RECOMMENDED P.C.B LAYOUT(PCB THICKNESS: 1.6mm)  
 COMPONENT SIDE VIEW(TOLERANCE: ±0.05mm)

				GENERAL TOLERANCE		DRAWN	<i>Sene Li</i>	2016/10/10	UNIT	MM	<b>X-SHUN</b> 东莞市祥舜电子科技有限公司 DONGGUAN X-SHUN ELECTRONICTECHNOLOGY CO., LTD TEL:+86 769 81885389 FAX:+86 769 81887859 E-Mail:sales@x-shun.com Http:www.x-shun.com
				.X ±0.35	X.° ± 2°	CHECKE	ZLT	SCALE	1:1		
A0		NEW DESIGN	2016/10/10			APPROVE		SHEET	1/2	PART NO.	201111-111A-B104
REV	ECN NO	DESCRIPTION	DATE	SIGNATURE	PROJECT	DRAWING NO		REV	A0	TITLE	RJ45 100BASE-TX 1X1 W/LED W/SHIELD

RoHS compliant

SCHMATICS



Electrical:

1. Turn ratio: 1~3: J1~J2=1CT:1CT(±2%).  
4~6: J3~J6=1CT:1CT(±2%).
2. OCL: 350uH Min. at 100KHz 100mV 8mA DC.
3. Insertion Loss: -1.0 dB Max 1~100MHz.
4. Return loss: -20dB Min 1~10MHz;  
-16dB Min 10~30MHz.  
-12dB Min 30~60MHz.  
-10dB Min 60~80MHz.
5. Cross talk: -40dB Min 1~30MHz;  
-35dB Min 30~60MHz;  
-30dB Min 60~100MHz;
6. CMR: -30dB Min 1~100MHz;
7. Hi-Pot: 1500V AC & 2250V DC  
6S 1mA PRI TO SEC

LED Specification



Standard LED Color	LED Wavelength	Foward(A)	Foward(V)
Green	568nm	20mA	1.85-2.45V
Yellow	585nm	20mA	1.7-2.2V

REV	ECN NO	DESCRIPTION	DATE	SIGNATURE	PROJECT	DRAWING NO	REV	A0	TITLE		
A0		NEW DESIGN	2016/10/10								
					GENERAL TOLERANCE	DRAWN	Gene Li	2016/10/10	UNIT	MM	<b>X-SHUN</b> 东莞市祥舜电子科技有限公司 DONGGUAN X-SHUN ELECTRONICTECHNOLOGY CO., LTD TEL:+86 769 81885389 FAX:+86 769 81887859 E-Mail:sales@x-shun.com Http:www.x-shun.com
					.X ±0.35 X.° ± 2°	CHECKE	ZLT		SCALE	1:1	
					.XX ±0.25 .X° ± 1°	APPROVE			SHEET	2/2	
					.XXX ±0.15 .XX° ± 0.5°				PART NO.	201111-111A-B104	
									TITLE	RJ45 100BASE-TX 1X1 W/LED W/SHIELD	