

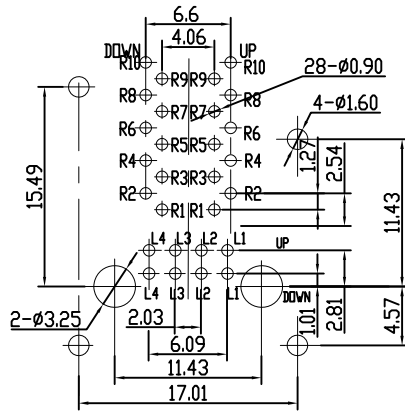
RoHS compliant

Meets or exceeds IEEE 802.3 standard for 10/100Base-T
 350 uH minimum OCL with 8mA DC bias current
 Available with or without LEDs
 Minimum 1500Vrms isolation per IEEE802.3 requirement
 Operating temperature -40°C to +85°C
 Storage temperature -40°C to +85°C

2. TRANSFORMER ELECTRICAL SPECIFICATIONS AT 25°C;

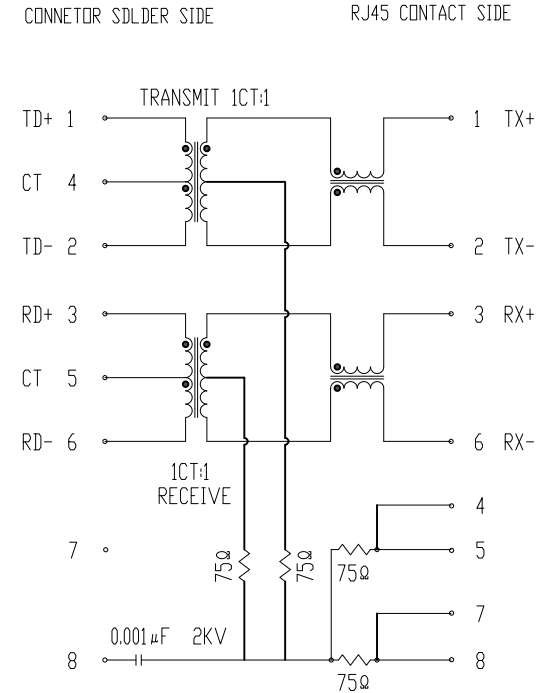
Insertion Loss (dB max.)	Return Loss (dB min.)			Cross talk (dB min.)			C.M.R. (dB min.)		Hi - pot (Vrms)
	1-30 MHz	30-60 MHz	60-80 MHz	1-30 MHz	30-60 MHz	60-100 MHz	10-60 MHz	60-100 MHz	
1-100MHz	1-30 MHz	30-60 MHz	60-80 MHz	1-30 MHz	30-60 MHz	60-100 MHz	10-60 MHz	60-100 MHz	60Hz/1min.
-1.0	-18	-16	-12	-40	-35	-30	-40	-30	1500

4. Pin Assignment For PCB Layout



Suggested PCB Pad Layout
 Component Side View

3. SCHEMATIC:



				GENERAL TOLERANCE		DRAWN	Gene Li	2017/12/21	UNIT	MM	X-SHUN 东莞市祥舜电子科技有限公司 <small>DONGGUAN X-SHUN ELECTRONIC TECHNOLOGY CO., LTD</small> TEL:+86 769 81885389 FAX:+86 769 81887859 E-Mail:sales@x-shun.com Http:www.x-shun.com
A0		NEW DESIGN	2017/12/21	.X ±0.35	X.° ± 2°	CHECKE	BT		SCALE	1:1	
REV	ECN NO	DESCRIPTION	DATE	.XX ±0.25	.X° ± 1°	APPROVE			SHEET	2/2	TITLE RJ45 100BASE-TX 2X1 W/O LED W/SHIELD
				.XXX ±0.15	.XX° ± 0.5°	DRAWING NO			REV	A0	