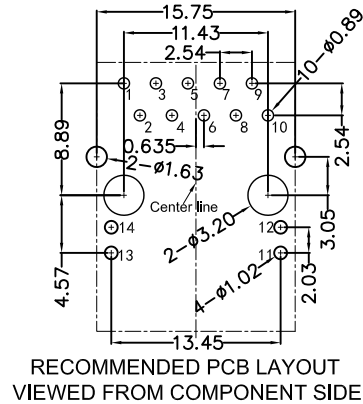
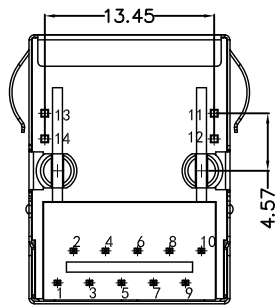
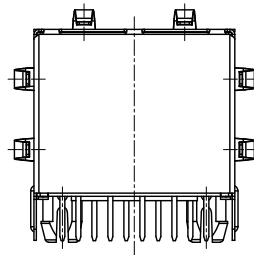
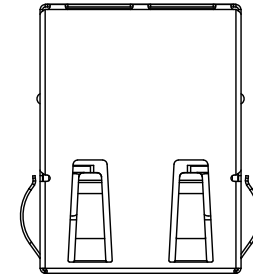
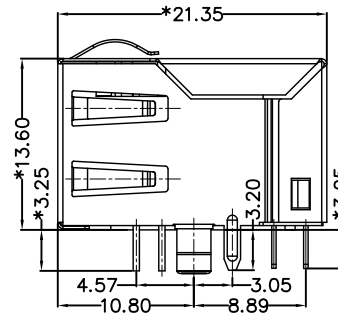
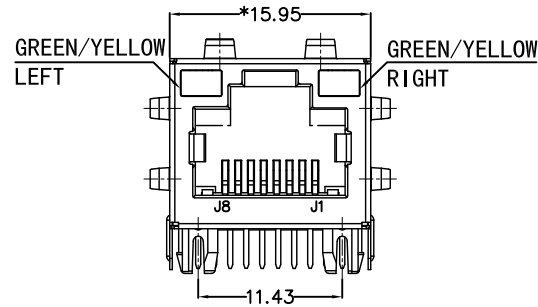
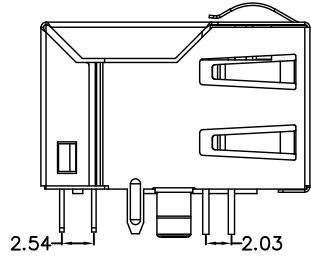


RoHS compliant



MATERIAL:

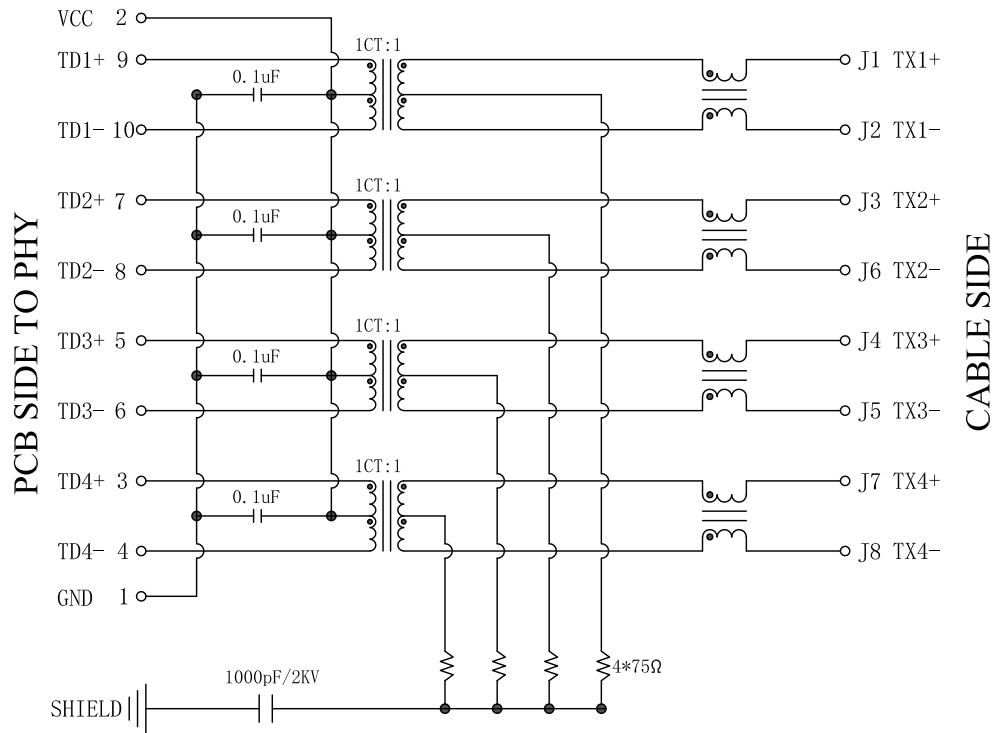
HOUSING : PBT,UL94V-0,BLACK.
 TERMINALS BRACKET: PBT,UL94V-0,BLACK.
 SHIELD: C2680,T=0.20MM,NICKEL PLATING ON ALL AREA.
 TERMINAL: PHOSPHOR BRONZE C5210,T=0.35MM,
 6U" GOLD PLATING ON CONTACT AREA.

MECHANICAL:

DURABILITY : 750 CYCLES MIN.
 MATING FORCE : 23N MAX.
 OPERATING TEMPERATURE: -40°C~+85°C.
 STORAGE TEMPERATURE: -40°C~+85°C.
 ALL CRITICAL DIMENSIONS WITH "※"

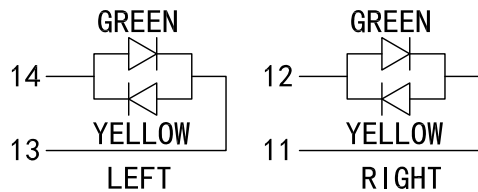
				GENERAL TOLERANCE		DRAWN	<i>Sene Li</i>	2020/12/21	UNIT	MM	X-SHUN 东莞市祥舜电子科技有限公司 DONGGUAN X-SHUN ELECTRONIC TECHNOLOGY CO., LTD TEL:+86 769 81885389 FAX:+86 769 81887859 E-Mail:sales@x-shun.com Http:www.x-shun.com	
				.X ±0.35	X.° ± 2°	CHECKE	KYD		SCALE	1:1		
A0		NEW DESIGN	2020/12/21			APPROVE			SHEET		PART NO.	20312M-111L-G302
REV	ECN NO	DESCRIPTION	DATE	SIGNATURE	PROJECT	DRAWING NO			REV	A0	TITLE	TAB-UP 1X1 1000BASE

RoHS compliant



Electrical:

- Turn ratio: 9~10: J1~J2=1CT:1CT(±2%).
7~8: J3~J6=1CT:1CT(±2%).
5~6: J4~J5=1CT:1CT(±2%).
3~4: J7~J8=1CT:1CT(±2%).
- OCL: 350uH Min. at 100KHz 100mV 8mA DC.
- Insertion Loss: -1.0 dB Max 1~100MHz.
- Return loss: -18dB Min 1~30MHz;
-14dB Min 30~60MHz.
-12dB Min 60~80MHz.
-10dB Min 80~100MHz.
- Cross talk: -40dB Min 1~30MHz;
-35dB Min 30~60MHz;
-30dB Min 60~100MHz;
- CMR: -30dB Min 1~100MHz;
- Hi-Pot: 2250V DC 6S 1mA PRI TO SEC



LED Specification

Standard LED Color	LED Wavelength	Foward(A)	Foward(V)
Green	568nm	20mA	1.85-2.45V
Yellow	585nm	20mA	1.7-2.2V

REV	ECN NO	DESCRIPTION	DATE	SIGNATURE	PROJECT	DRAWING NO	REV	A0	TITLE			
A0		NEW DESIGN	2020/12/21									
					GENERAL TOLERANCE	DRAWN	Gene Li	2020/12/21	UNIT	MM	X-SHUN 东莞市祥舜电子科技有限公司 DONGGUAN X-SHUN ELECTRONIC TECHNOLOGY CO., LTD TEL:+86 769 81885389 FAX:+86 769 81887859 E-Mail:sales@x-shun.com Http:www.x-shun.com	
					.X ±0.35 X.° ± 2°	CHECKE	KYD		SCALE	1:1		
					.XX ±0.25 .X° ± 1°	APPROVE			SHEET			
					.XXX ±0.15 .XX° ± 0.5°						PART NO.	20312M-111L-G302
											TITLE	TAB-UP 1X1 1000BASE