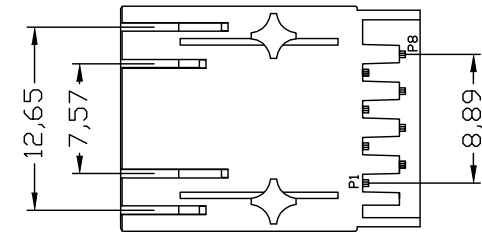
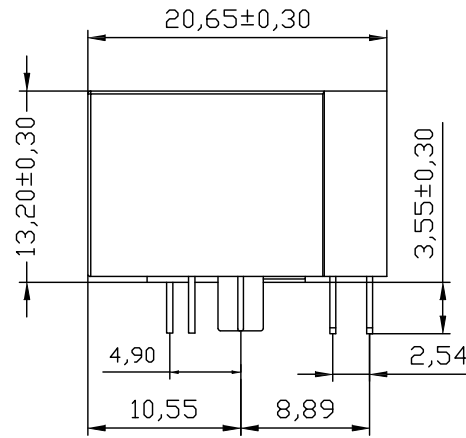
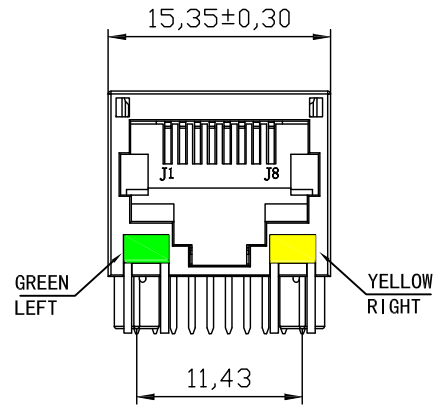


RoHS compliant

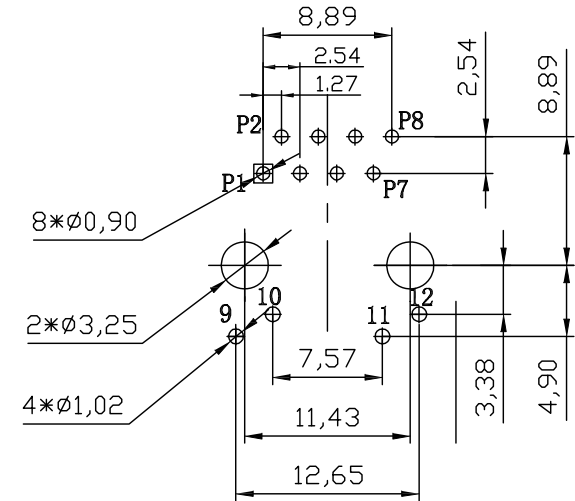
MECHANICAL:



HOUSING: PBT,UL94V-0,BLACK.
 TERMINALS BRACKET: PBT,UL94V-0,BLACK.
 TERMINAL: PHOSPHOR BRONZE C5210,T=0.35MM,
 6U" GOLD PLATING ON CONTACT AREA.

MECHANICAL:

DURABILITY: 750 CYCLES MIN.
 MATING FORCE: 23N MAX.
 OPERATING TEMPERATURE: -40°C~+85°C.
 STORAGE TEMPERATURE: -40°C~+85°C.



RECOMMENDED P.C.B LAYOUT(PCB THICKNESS: 1.6mm)
 COMPONENT SIDE VIEW(TOLERANCE: ±0.05mm)

				GENERAL TOLERANCE		DRAWN	<i>Sena Li</i>	2022/03/21	UNIT	MM	X-SHUN 东莞市祥舜电子科技有限公司 DONGGUAN X-SHUN ELECTRONIC TECHNOLOGY CO., LTD TEL:+86 769 81885389 FAX:+86 769 81887859 E-Mail:sales@x-shun.com Http:www.x-shun.com	
				.X ±0.35	X.° ± 2°	CHECKE	<i>ZLT</i>		SCALE	1:1		
				.XX ±0.25	.X.° ± 1°	APPROVE			SHEET	1/2		
				.XXX ±0.15	.XX.° ± 0.5°	DRAWING NO			REV	A0		
A0		NEW DESIGN	2022/03/21								PART NO.	201101-111H-B108
REV	ECN NO	DESCRIPTION	DATE	SIGNATURE	PROJECT						TITLE	RJ45-100BASE 1X1 TAB-DOWN W/LED W/O SHIELD

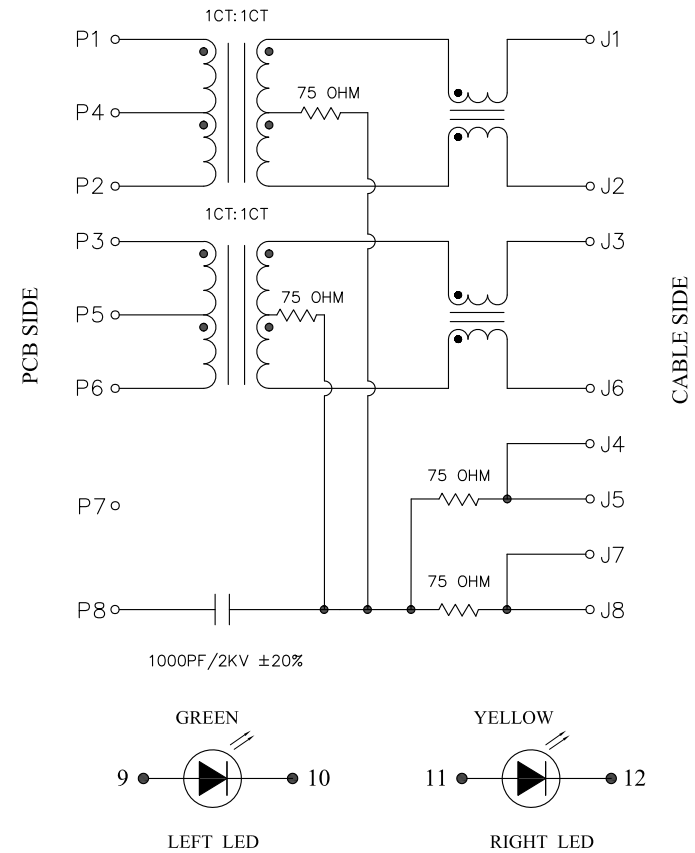
RoHS compliant

ELECTRICAL SPECIFICATIONS@25°C UNLESS OTHERWISE NOTED:

1. Turn Ratio(+/-5%): 1CT:1CT
2. Inductance OCL: 350uH Min @100KHz/0.1V/ 8mA DC Bias
3. Insertion Loss:
 - 1.0dB Max 1-100MHz
4. Return Loss:
 - 18dB Min 1-30MHz 100Ω
 - 15dB Min 30-60MHz 100Ω
 - 12dB Min 60-80MHz 100Ω
 - 10dB Min 80-100MHz 100Ω
5. Cross talk:
 - 30dB Min 1-100MHz
6. Common Mode Rejection:
 - 30dB Min 1-100MHz
7. Hipot Test: (P1-P6) To (J1-J8)
 - 2250VDC 3S 1mA Max
8. Operating Temperature Range: 0°C ~ +70°C
9. RJ45 Meets IEEE 802.3 Standards.
10. RJ45 Cavities Conform To FCC Rules And Regulation
 - Part 68 Subpart F.
11. LED Specification:

Emitting Color	λd (nm)	Vf@If=20mA	Ir@Vr=5V
GREEN	570nm	1.8-2.4V	10uA Max
YELLOW	590nm	1.8-2.4V	10uA Max

SCHEMATICS



REV	ECN NO	DESCRIPTION	DATE	SIGNATURE	PROJECT	DRAWING NO	REV	A0	TITLE
A0		NEW DESIGN	2022/03/21						

X-SHUN 东莞市祥舜电子科技有限公司
 DONGGUAN X-SHUN ELECTRONIC TECHNOLOGY CO., LTD
 TEL:+86 769 81885389 FAX:+86 769 81887859
 E-Mail:sales@x-shun.com Http:www.x-shun.com

PART NO. 201101-111H-B108
 TITLE RJ45-100BASE 1X1 TAB-DOWN W/LED W/O SHIELD