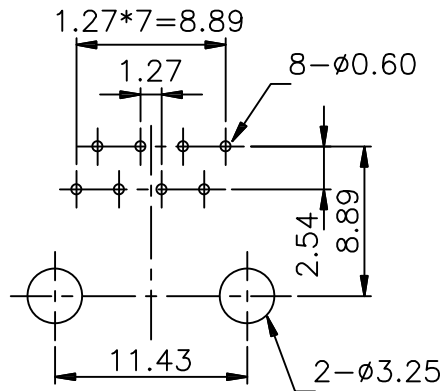
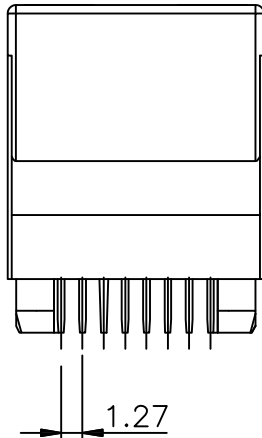
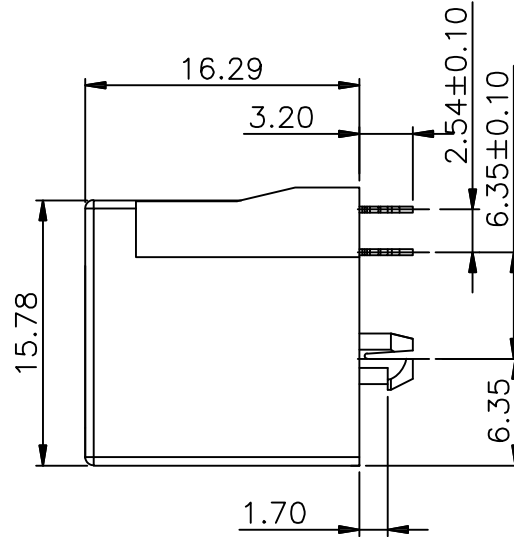
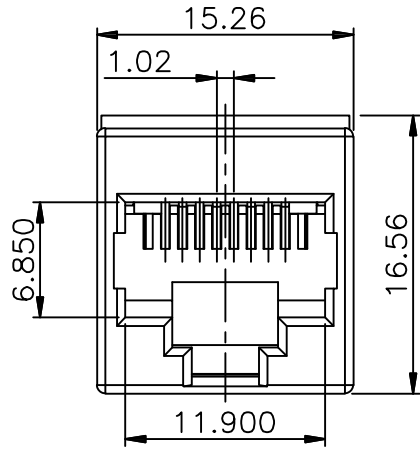


RoHS compliant



P.C.B LAYOUT TOP VIEW

NOTES

MATERIAL

- 1. HOUSING MATERIAL : GLASS FILLED POLYESTER UL94V-0.
- 2. CONTACT MATERIAL : PHOSPHOR BRONZE T=0.35mm.
- 3. PLATING : CONTACT AREA-SELECTIVE GOLD PLATING, TAILS PLATING TIN OVER NICKEL.
- 3U", 6U", 15U", 30", 50".

ELECTRICAL

- 1. VOLTAGE RATING : 125 VAC RMS.
- 2. CURRENT RATING : 1.5 AMP.
- 3. CONTACT RESISTANCE : 30 MILLIOHMS MAX.
- 4. INSULATION RESISTANCE : 500 MEGOHMS MIN @ 500V DC .
- 5. DIELECTRIC DIELECTRIC RESISTANCE : 1000V AC RMS 50Hz. 1MIN.

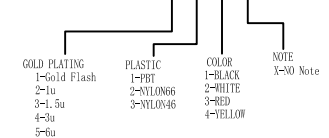
MECHANICAL

- 1. DURRABILITY : 750 CYCLES MIN.
- 2. PCB RETENTIONPRE-SOLDER : 1 LB MIN.

ENVIRONMENTAL :

- 1. STORAGE : -40℃~+85℃.
- 2. OPERATION : -40℃~+85℃.

P/N: RJ52D-1811-002XXXX



				GENERAL TOLERANCE		DRAWN	<i>Gene Li</i>	2014/03/12	UNIT	MM	东莞市祥舜电子科技有限公司 DONGGUAN X-SHUN ELECTRONICTECHNOLOGY CO., LTD TEL:+86 769 81885389 FAX:+86 769 81887859 E-Mail:sales@x-shun.com Http:www.x-shun.com	
				.X ±0.35	X.° ± 2°	CHECKE	JH		SCALE	1:1		
A0		NEW DESIGN	2014/03/12			APPROVE			SHEET		PART NO.	RJ52D-1811-002XXXX
REV	ECN NO	DESCRIPTION	DATE	SIGNATURE	PROJECT	DRAWING NO			REV	A0	TITLE	RJ45 10P8C 1X1 180° PCB JACK