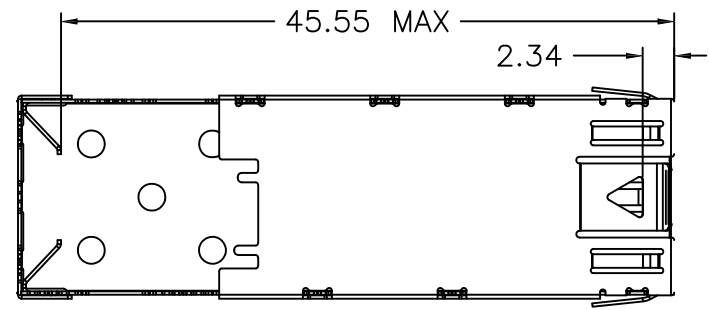
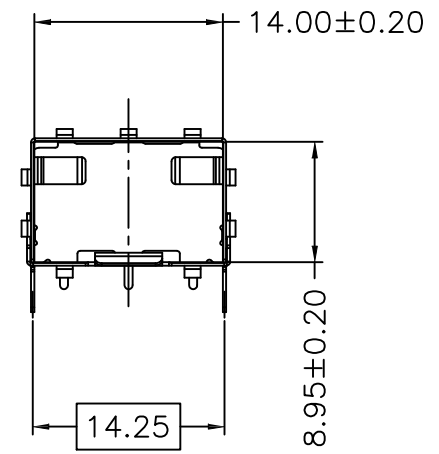
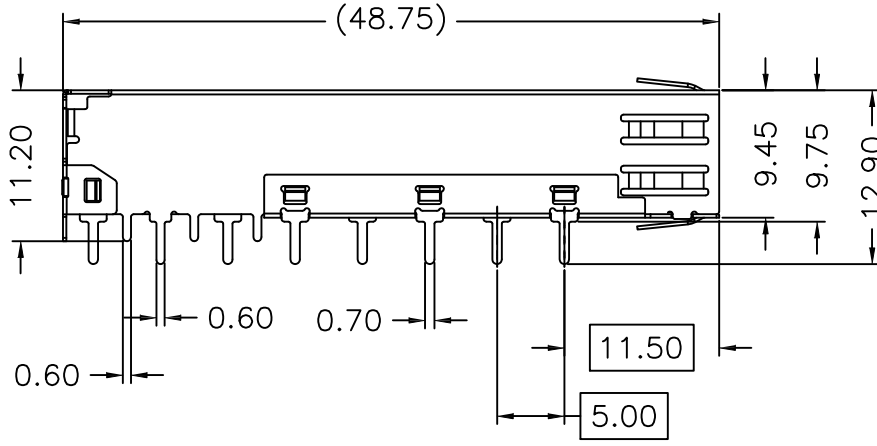
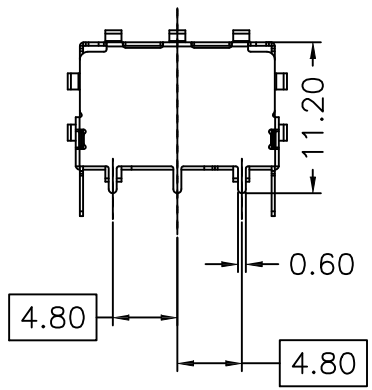
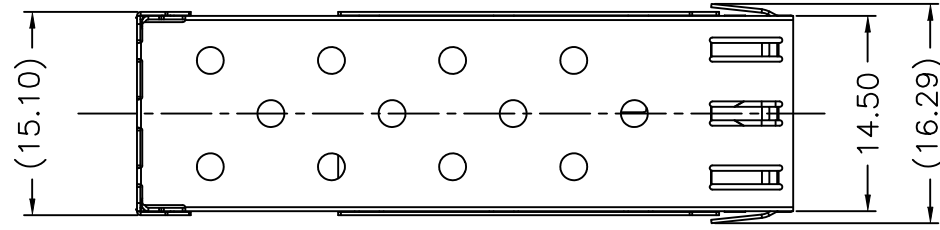


RoHS compliant

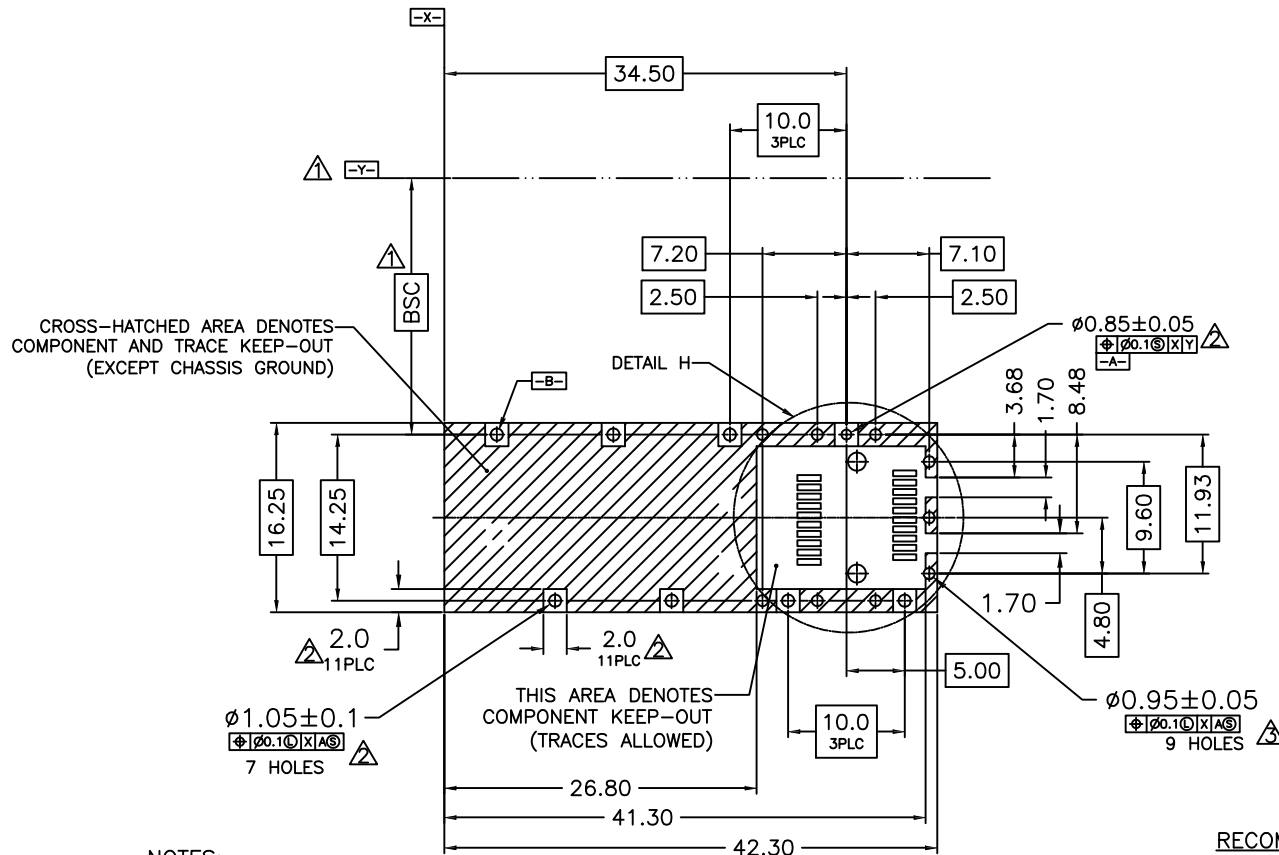


NOTES:

- 1.MATERIAL: NICKEL SILVER, THICKNESS 0.25mm
- 2.PACKAGING: TRAY PACKAGING
- 3.TEMPERATURE RANGE: -55°C TO +85°C

				GENERAL TOLERANCE		DRAWN		UNIT		MM		X-SHUN 东莞市祥舜电子科技有限公司		
				.X ±0.35	X.° ± 2°	Gene Li		2017/03/21		SCALE		DONGGUAN X-SHUN ELECTRONICTECHNOLOGY CO., LTD		
				.XX ±0.25	.X° ± 1°	HYY				1:1		TEL:+86 769 81885389 FAX:+86 769 81887859		
				.XXX ±0.15	.XX° ± 0.5°	APPROVE				SHEET		E-Mail:sales@x-shun.com Http:www.x-shun.com		
				PROJECT		DRAWING NO		REV		A0		PART NO. 8001-110015-01		
REV	ECN NO	DESCRIPTION	DATE	SIGNATURE	PROJECT		DRAWING NO		REV		A0		TITLE SFP 1X1 CAGE WITH GROUNDING PIN	
A0		NEW DESIGN	2017/03/21											

RoHS compliant



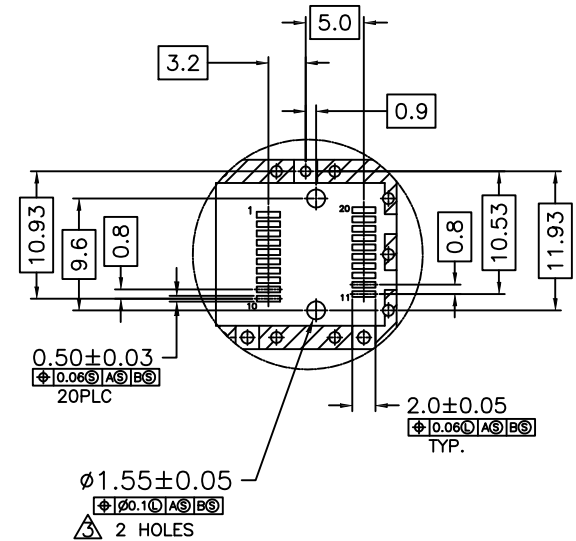
CROSS-HATCHED AREA DENOTES COMPONENT AND TRACE KEEP-OUT (EXCEPT CHASSIS GROUND)

THIS AREA DENOTES COMPONENT KEEP-OUT (TRACES ALLOWED)

NOTES:

- ▲ DATUM AND BASIC DIMENSIONS ESTABLISHED BY CUSTOMER
- ▲ PADS AND VIAS ARE CHASSIS GROUND, 11 PLACES
- ▲ THRU HOLES, PLATING OPTIONAL

RECOMMENDED PCB CONFIGURATION

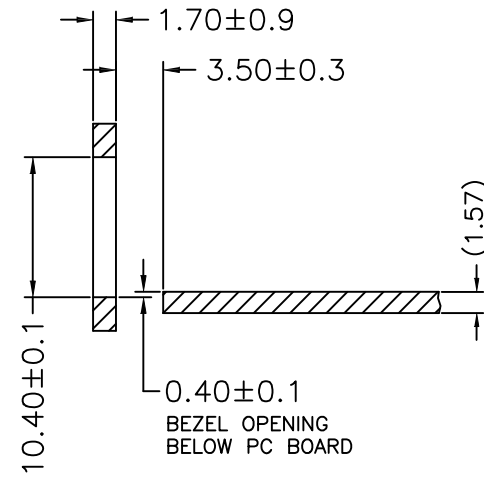
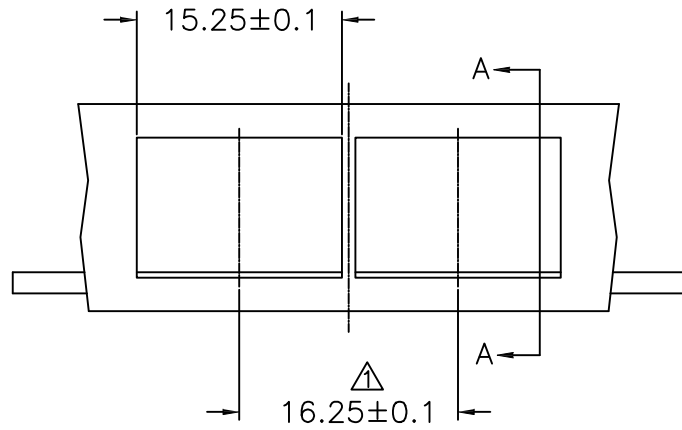


DETAIL H

				GENERAL TOLERANCE		DRAWN	<i>Sene Li</i>	2017/03/21	UNIT	MM	X-SHUN 东莞市祥舜电子科技有限公司 DONGGUAN X-SHUN ELECTRONIC TECHNOLOGY CO., LTD	
				.X	±0.35	X.°	± 2°	CHECKE	HYY	SCALE	1:1	TEL:+86 769 81885389 E-Mail:sales@x-shun.com
				.XX	±0.25	.X°	± 1°	APPROVE		SHEET	2/3	FAX:+86 769 81887859 Http:www.x-shun.com
				.XXX	±0.15	.XX°	± 0.5°			PART NO.	8001-110015-01	
REV	ECN NO	DESCRIPTION	DATE	SIGNATURE	PROJECT	DRAWING NO			REV	A0	TITLE	SFP 1X1 CAGE WITH GROUNDING PIN

A

RoHS compliant



SECTION A-A

RECOMMENDED BEZEL DESIGN

NOTES:
 ▲ MINIMUM PITCH ILLUSTRATED, ENGLISH DIMENSIONS ARE FOR REFERENCE ONLY

				GENERAL TOLERANCE		DRAWN	<i>Gene Li</i>	2017/03/21	UNIT	MM	X-SHUN 东莞市祥舜电子科技有限公司 DONGGUAN X-SHUN ELECTRONIC TECHNOLOGY CO., LTD TEL:+86 769 81885389 FAX:+86 769 81887859 E-Mail:sales@x-shun.com Http:www.x-shun.com		
				.X	±0.35	X.°	± 2°	CHECKE	HYY	SCALE	1:1	PART NO.	8001-110015-01
				.XX	±0.25	.X°	± 1°	APPROVE		SHEET	3/3		
A0		NEW DESIGN	2017/03/21	.XXX	±0.15	.XX°	± 0.5°	DRAWING NO		REV	A0	TITLE	SFP 1X1 CAGE WITH GROUNDING PIN
REV	ECN NO	DESCRIPTION	DATE	SIGNATURE	PROJECT								