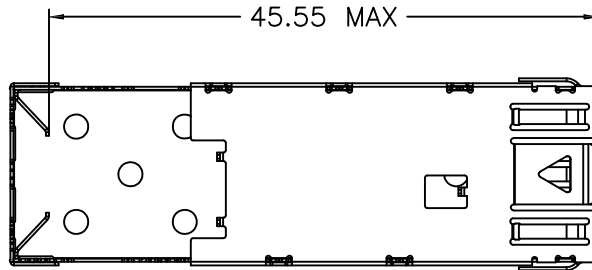
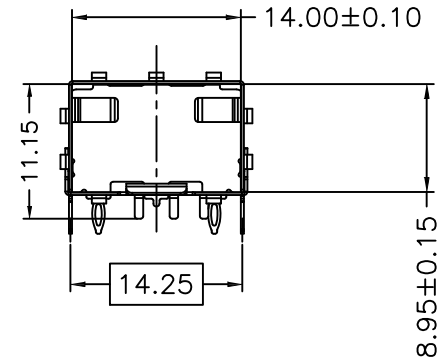
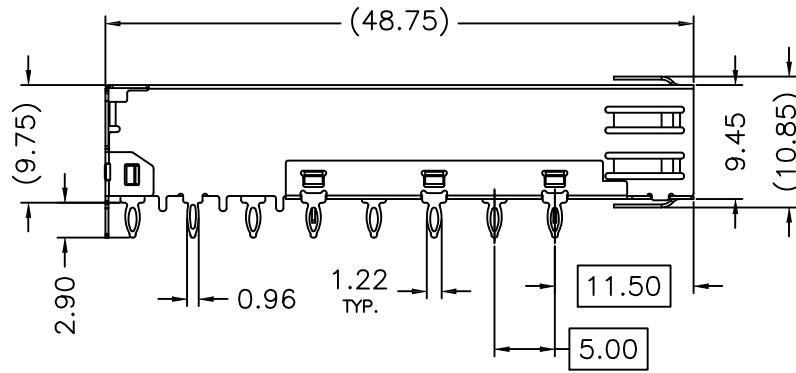
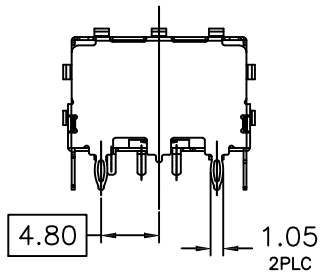
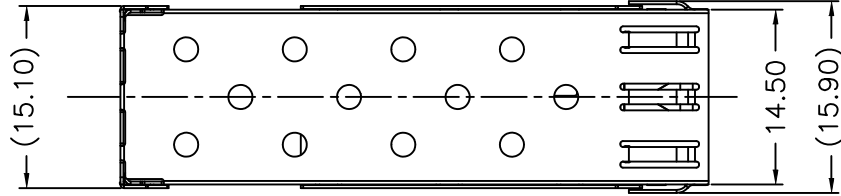


RoHS compliant



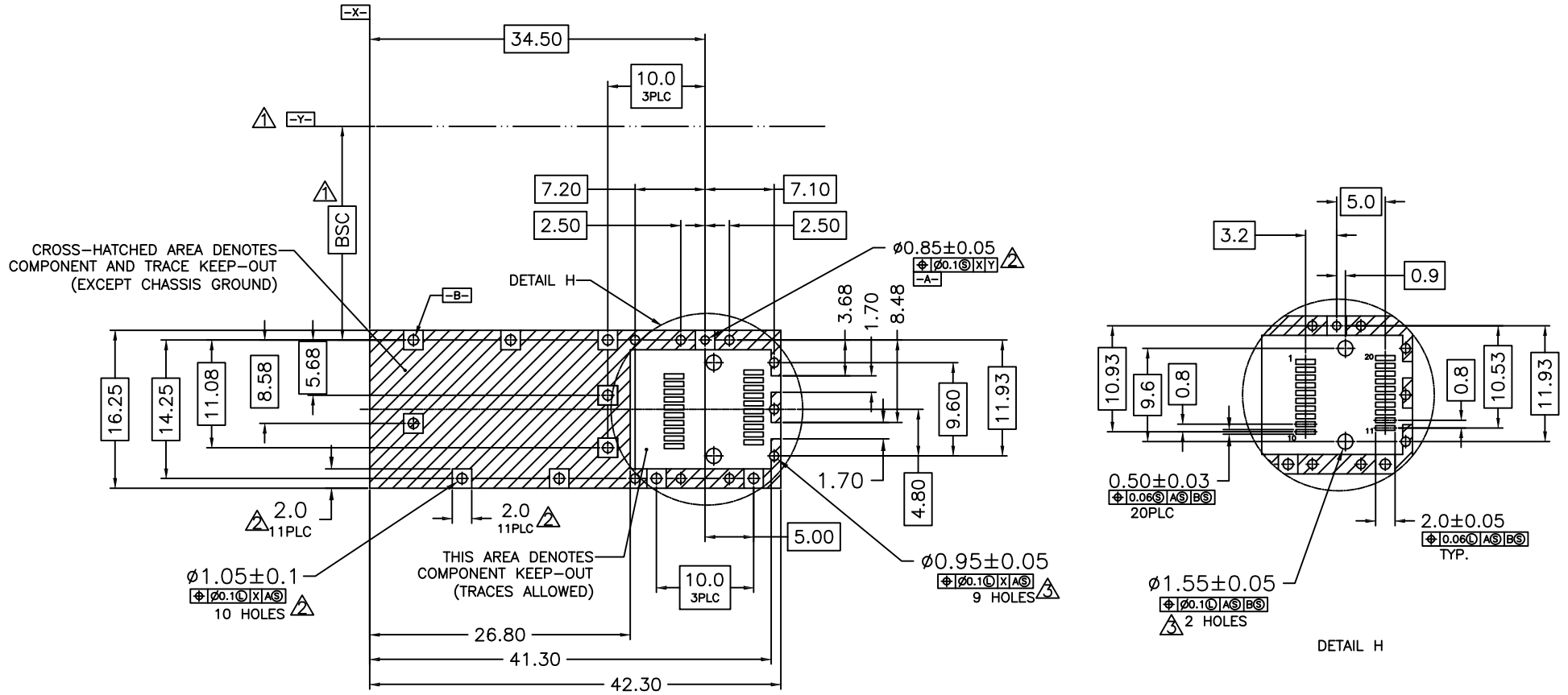
NOTES:

- 1.MATERIAL: NICKEL SILVER, THICKNESS 0.25mm
- 2.PACKAGING: TRAY PACKAGING
- 3.TEMPERATURE RANGE: -55°C TO +85°C

|     |        |             |            |                   |          |            |                |            |      |          |  |
|-----|--------|-------------|------------|-------------------|----------|------------|----------------|------------|------|----------|--|
|     |        |             |            | GENERAL TOLERANCE |          | DRAWN      | <i>Gene Li</i> | 2017/03/21 | UNIT | MM       | <b>X-SHUN</b> 东莞市祥舜电子科技有限公司<br>DONGGUAN X-SHUN ELECTRONICTECHNOLOGY CO., LTD<br>TEL:+86 769 81885389 FAX:+86 769 81887859<br>E-Mail:sales@x-shun.com Http:www.x-shun.com |
|     |        |             |            | .X ±0.35          | X.° ± 2° | CHECKE     | HYY            | SCALE      | 1:1  | PART NO. |  |
| A0  |        | NEW DESIGN  | 2017/03/21 |                   |          | APPROVE    |                | SHEET      |      | TITLE    | SFP 1X1 CAGE WITH GROUNDING PIN  |
| REV | ECN NO | DESCRIPTION | DATE       | SIGNATURE         | PROJECT  | DRAWING NO |                | REV        | A0   |          |  |



RoHS compliant



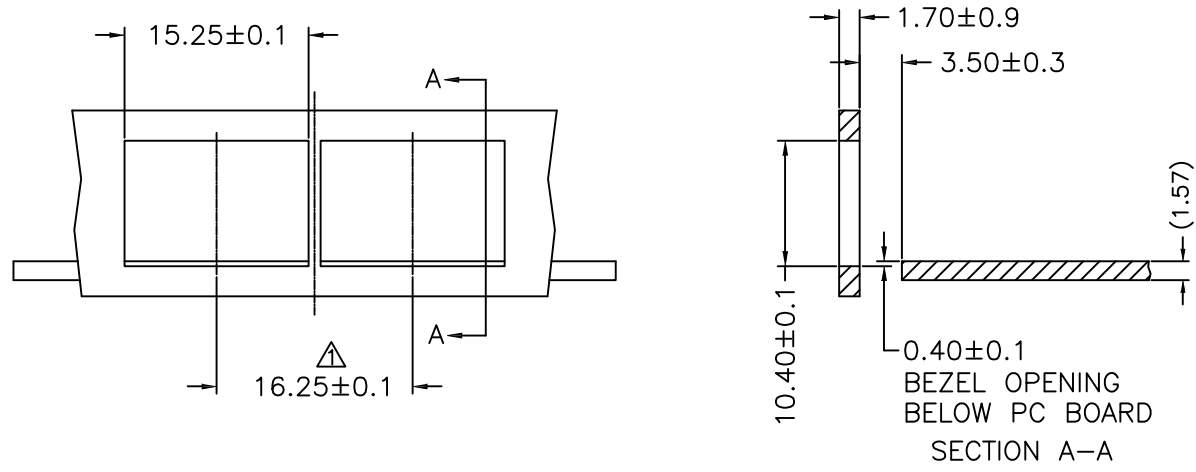
ECOMMENDED PCB CONFIGURATION

NOTES:

- 1. DATUM AND BASIC DIMENSIONS ESTABLISHED BY CUSTOMER
- 2. PADS AND VIAS ARE CHASSIS GROUND
- 3. THRU HOLES, PLATING OPTIONAL

|     |        |             |            |                   |          |            |                |            |      |          |  |
|-----|--------|-------------|------------|-------------------|----------|------------|----------------|------------|------|----------|--|
|     |        |             |            | GENERAL TOLERANCE |          | DRAWN      | <i>Seme Li</i> | 2017/03/21 | UNIT | MM       | <b>X-SHUN</b> 东莞市祥舜电子科技有限公司<br>DONGGUAN X-SHUN ELECTRONICTECHNOLOGY CO., LTD<br>TEL:+86 769 81885389 FAX:+86 769 81887859<br>E-Mail:sales@x-shun.com Http:www.x-shun.com |
|     |        |             |            | .X ±0.35          | X.° ± 2° | CHECKE     | HYY            | SCALE      | 1:1  | PART NO. |  |
| A0  |        | NEW DESIGN  | 2017/03/21 |                   |          | APPROVE    |                | SHEET      |      | TITLE    | SFP 1X1 CAGE WITH GROUNDING PIN  |
| REV | ECN NO | DESCRIPTION | DATE       | SIGNATURE         | PROJECT  | DRAWING NO |                | REV        | A0   |          |  |

RoHS compliant



RECOMMENDED BEZEL DESIGN

NOTES:  
 ▲ MINIMUM PITCH ILLUSTRATED, ENGLISH DIMENSIONS ARE FOR REFERENCE ONLY

|     |        |             |            |                   |          |            |                |            |       |          |   |                                 |
|-----|--------|-------------|------------|-------------------|----------|------------|----------------|------------|-------|----------|---|---------------------------------|
|     |        |             |            | GENERAL TOLERANCE |          | DRAWN      | <i>Gene Li</i> | 2017/03/21 | UNIT  | MM       | <b>X-SHUN</b> 东莞市祥舜电子科技有限公司<br>DONGGUAN X-SHUN ELECTRONIC TECHNOLOGY CO., LTD<br>TEL:+86 769 81885389 FAX:+86 769 81887859<br>E-Mail:sales@x-shun.com Http:www.x-shun.com |                                 |
|     |        |             |            | .X ±0.35          | X.° ± 2° | CHECKE     | HYY            | SCALE      | 1:1   | PART NO. |   | 8001-110015-02                  |
| A0  |        | NEW DESIGN  | 2017/03/21 |                   |          | APPROVE    |                |            | SHEET |          | TITLE   | SFP 1X1 CAGE WITH GROUNDING PIN |
| REV | ECN NO | DESCRIPTION | DATE       | SIGNATURE         | PROJECT  | DRAWING NO |                |            | REV   | A0       |   |                                 |