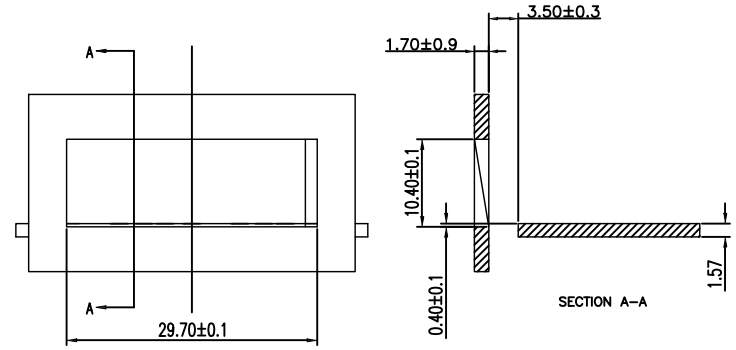
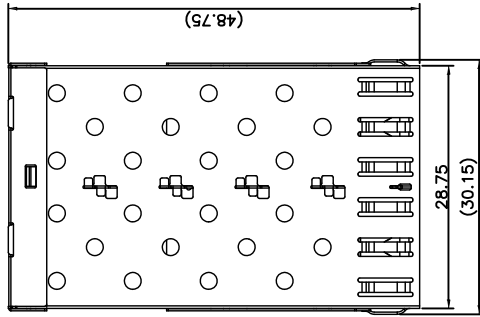
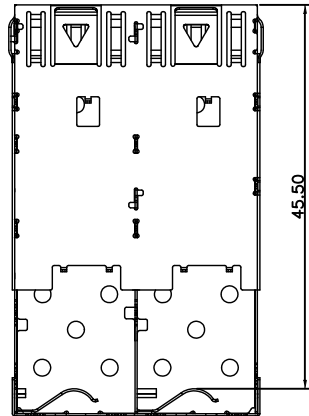
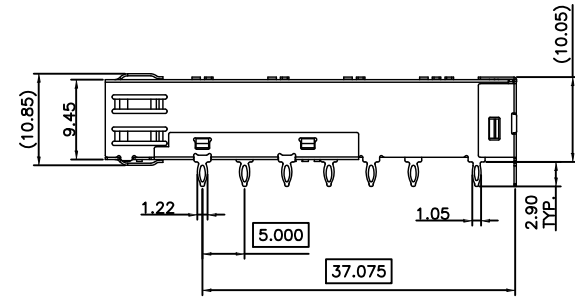
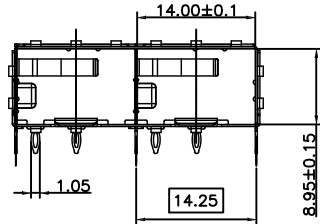


RoHS compliant



RECOMMENDED BEZEL DESIGN



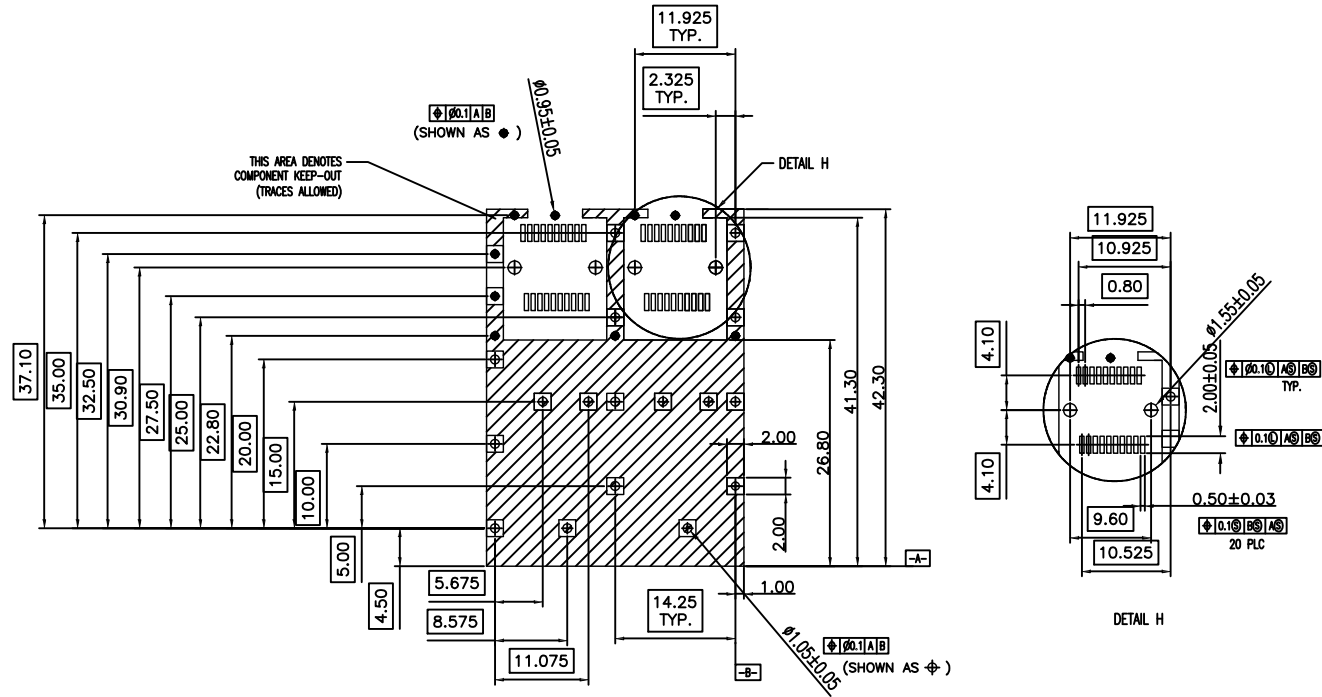
NOTES:

- 1.MATERIAL: NICKEL SILVER, THICKNESS 0.25mm
- 2.PACKAGING: TRAY PACKAGING
- 3.TEMPERATURE RANGE: -55°C TO +85°C

				GENERAL TOLERANCE		DRAWN	<i>Gene Li</i>	2017/03/21	UNIT	MM	X-SHUN 东莞市祥舜电子科技有限公司 DONGGUAN X-SHUN ELECTRONICTECHNOLOGY CO., LTD TEL:+86 769 81885389 FAX:+86 769 81887859 E-Mail:sales@x-shun.com Http:www.x-shun.com		
				.X	±0.35	X.°	± 2°	CHECKE	HYY	SCALE	1:1	PART NO.	8001-120015-02
				.XX	±0.25	.X°	± 1°	APPROVE		SHEET	1/2		
A0		NEW DESIGN	2017/03/21	.XXX	±0.15	.XX°	± 0.5°			REV	A0	TITLE	SFP 1X2 CAGE WITH GROUNDING PIN
REV	ECN NO	DESCRIPTION	DATE	SIGNATURE	PROJECT		DRAWING NO						



RoHS compliant



PCB LAYOUT
FOR SINGLE SIDE MOUNTING

				GENERAL TOLERANCE		DRAWN	<i>Sene Li</i>	2017/03/21	UNIT	MM	X-SHUN 东莞市祥舜电子科技有限公司 DONGGUAN X-SHUN ELECTRONIC TECHNOLOGY CO., LTD TEL:+86 769 81885389 FAX:+86 769 81887859 E-Mail:sales@x-shun.com Http:www.x-shun.com		
				.X	±0.35	X.°	± 2°	CHECKE	HYY	SCALE	1:1	PART NO.	8001-120015-02
				.XX	±0.25	.X°	± 1°	APPROVE		SHEET	2/2		
A0		NEW DESIGN	2017/03/21	.XXX	±0.15	.XX°	± 0.5°	APPROVE		REV	A0	TITLE	SFP 1X2 CAGE WITH GROUNDING PIN
REV	ECN NO	DESCRIPTION	DATE	SIGNATURE	PROJECT		DRAWING NO						