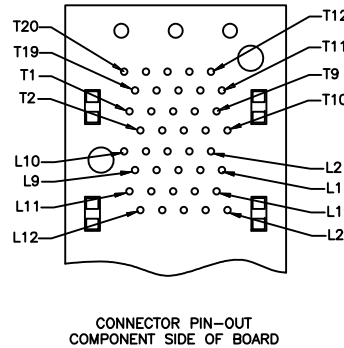
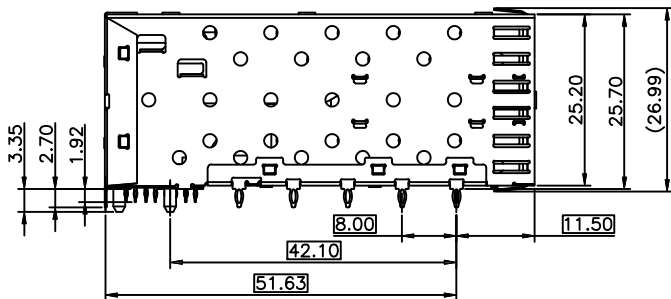
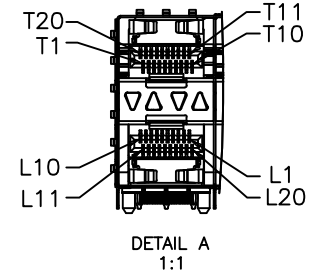
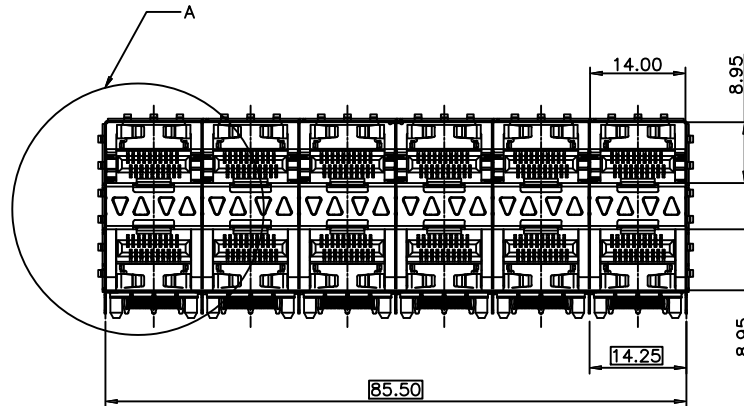
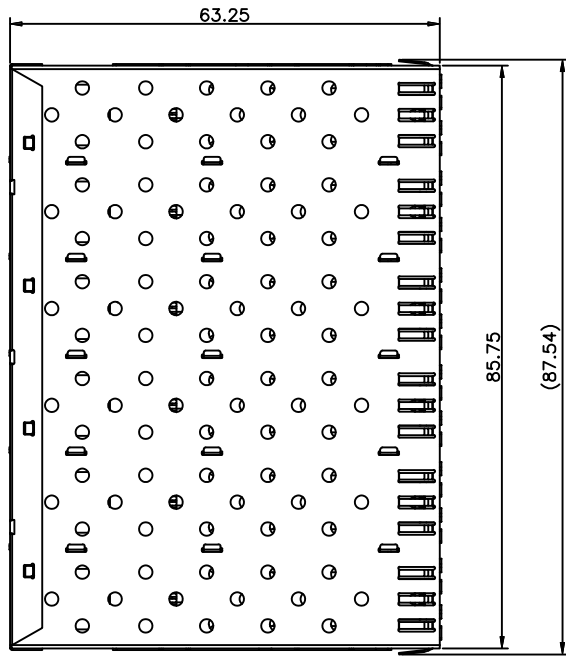


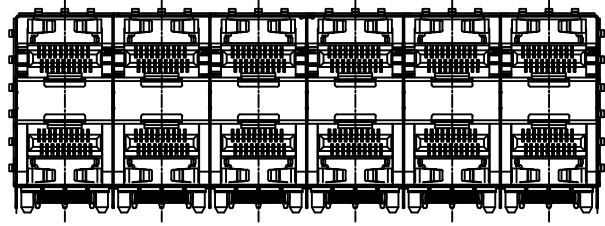
RoHS compliant



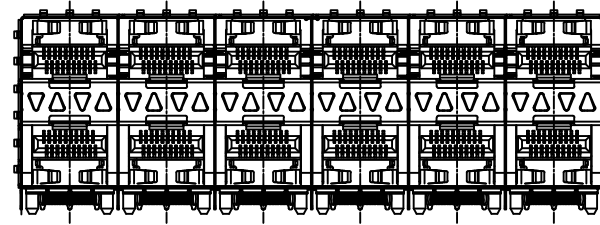
NOTES:
 MATERIAL:
 CAGE: COPPER ALLOY, THICKNESS 0.25mm
 LIGHT PIPE: POLYCARBONATE, COLOR: CLEAR.
 CONNECTOR:
 PLASTIC HOUSING: HIGH TEMPERATURE LCP, UL94 V-0.
 SPRING: STAINLESS STEEL, THICKNESS 0.20mm
 CONTACTS: PHOSPHOR BRONZE, THICKNESS 0.20mm
 PLATING: 15μ" MIN. GOLD ON MATING AREA,
 150μ" MIN. MATE TIN ON SOLDER TAILS.
 PACKAGING: TRAY PACKAGING.
 TEMPERATURE RANGE: -40°C TO +85°C

				GENERAL TOLERANCE	DRAWN	<i>Gema Li</i>	2017/03/21	UNIT	MM	X-SHUN 东莞市祥舜电子科技有限公司 DONGGUAN X-SHUN ELECTRONICTECHNOLOGY CO., LTD TEL:+86 769 81885389 FAX:+86 769 81887859 E-Mail:sales@x-shun.com Http:www.x-shun.com			
				.X ±0.35 X.° ± 2°	CHECKE	HYY		SCALE	1:1				
A0		NEW DESIGN	2017/03/21	.XX ±0.25 .X° ± 1°	APPROVE			SHEET	1/4	PART NO.	8001-26X015-01		
REV	ECN NO	DESCRIPTION	DATE	SIGNATURE	PROJECT			DRAWING NO		REV	A0	TITLE	SFP 2X6 CAGE+CONNECTOR

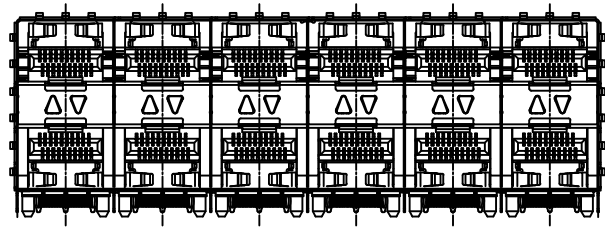
RoHS compliant



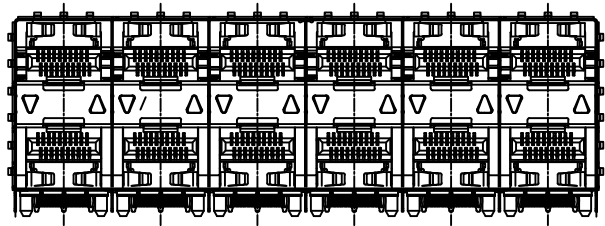
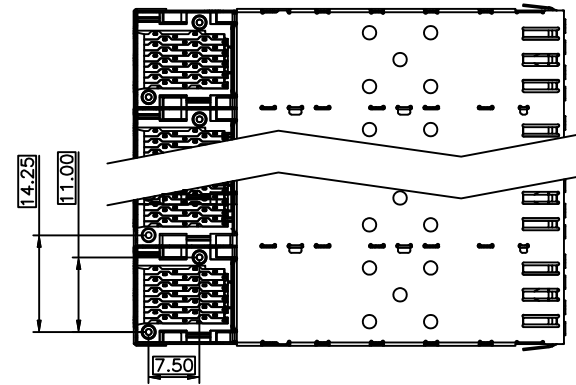
0:W/O Light Pipe



3:Inner+Outer Light Pipe



1:Inner Light Pipe

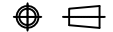


2:Outer Light Pipe

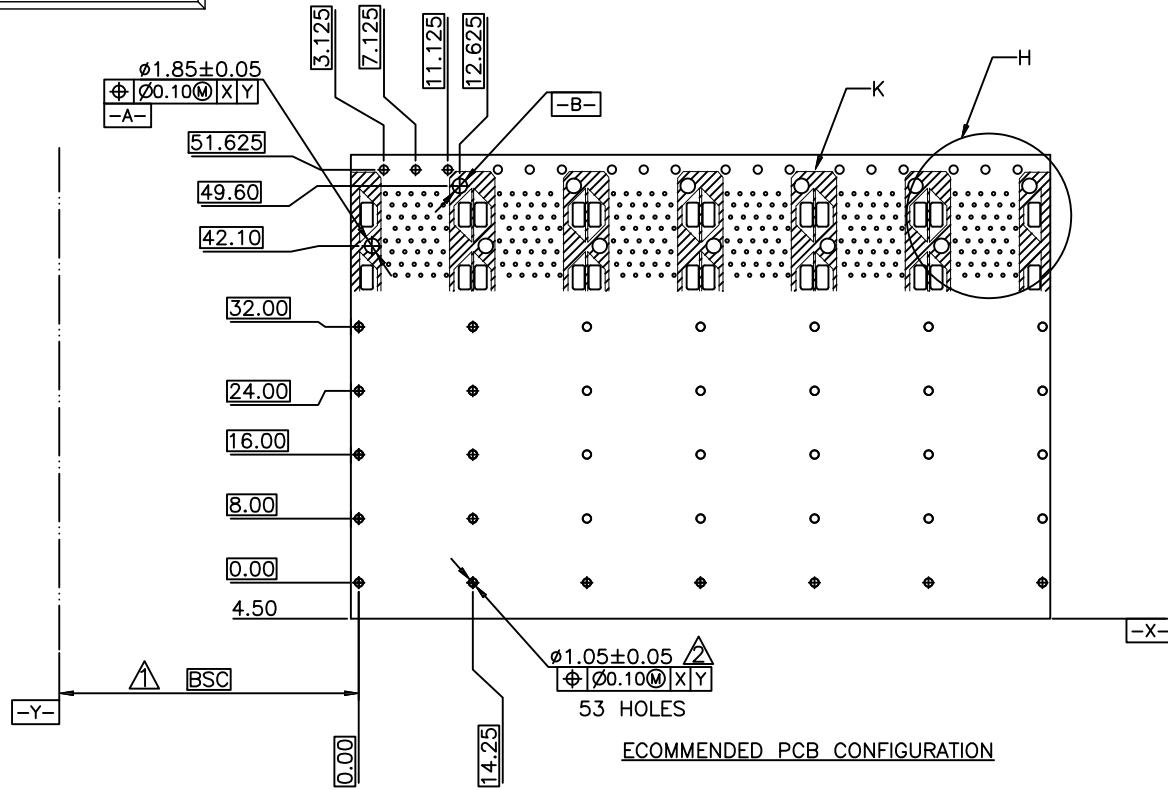
P/N: 8001-26X015-01

- 0:W/O Light Pipe
- 1:Inner Light Pipe
- 2:Outer Light Pipe
- 3:Inner+Outer Light Pipe

				GENERAL TOLERANCE		DRAWN	<i>Sena Li</i>	2017/03/21	UNIT	MM	X-SHUN 东莞市祥舜电子科技有限公司 DONGGUAN X-SHUN ELECTRONIC TECHNOLOGY CO., LTD TEL:+86 769 81885389 FAX:+86 769 81887859 E-Mail:sales@x-shun.com Http:www.x-shun.com
				.X ±0.35	X.° ± 2°	CHECKE	HYY	SCALE	1:1		
A0		NEW DESIGN	2017/03/21	.XX ±0.25	.X° ± 1°	APPROVE		SHEET	2/4	PART NO.	8001-26X015-01
REV	ECN NO	DESCRIPTION	DATE	SIGNATURE	PROJECT	DRAWING NO		REV	A0	TITLE	SFP 2X6 CAGE+CONNECTOR

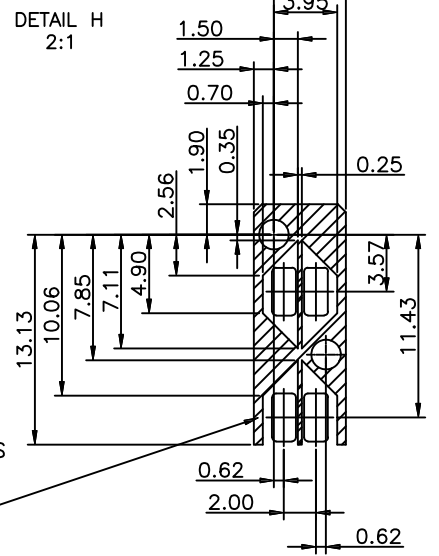
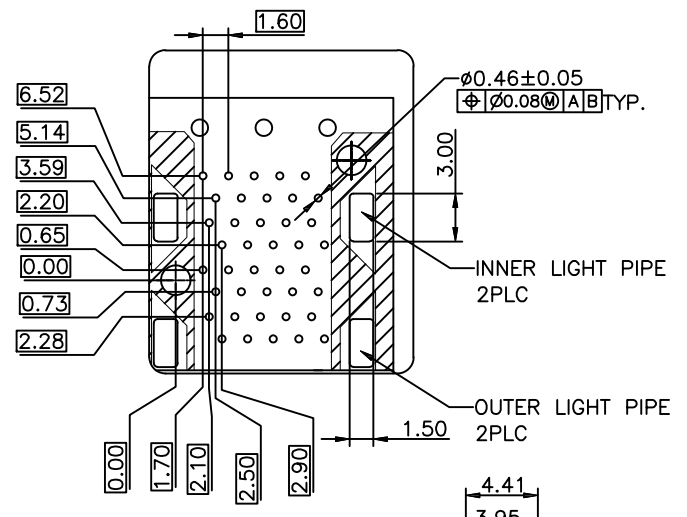


RoHS compliant



- NOTES:
- DATUM AND BASIC DIMENSIONS ESTABLISHED BY CUSTOMER.
 - 1.05 mm DIAMETER HOLES ARE CHASSIS GROUND.

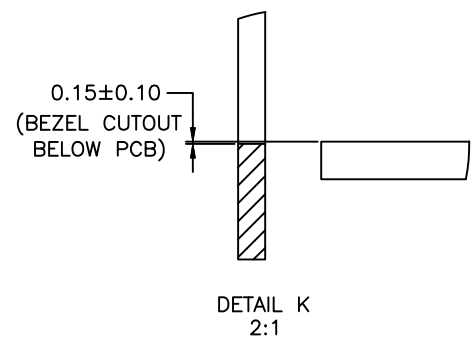
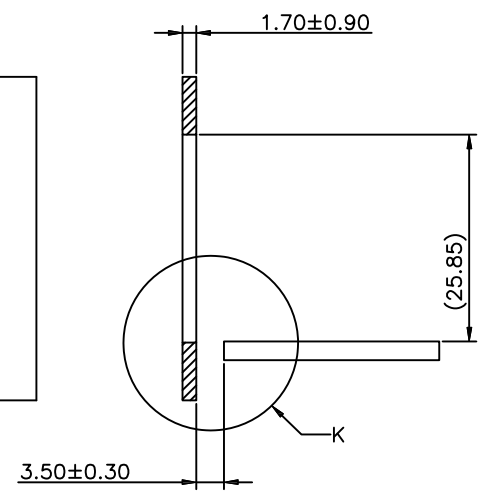
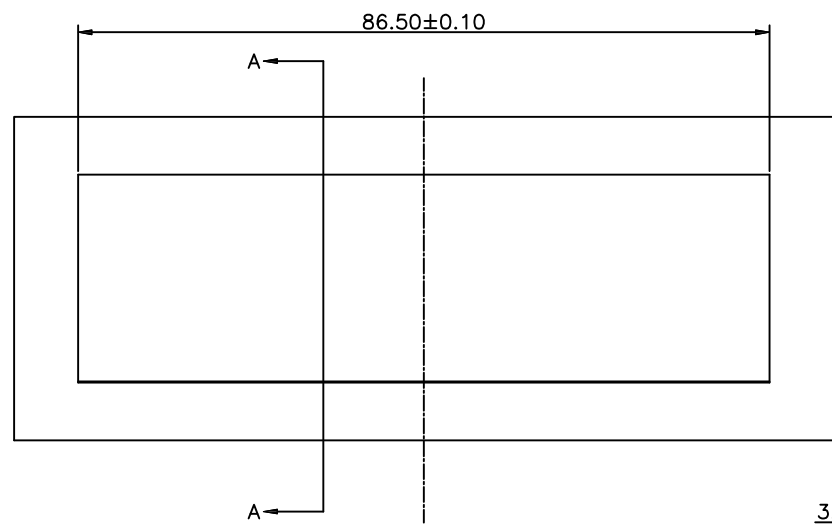
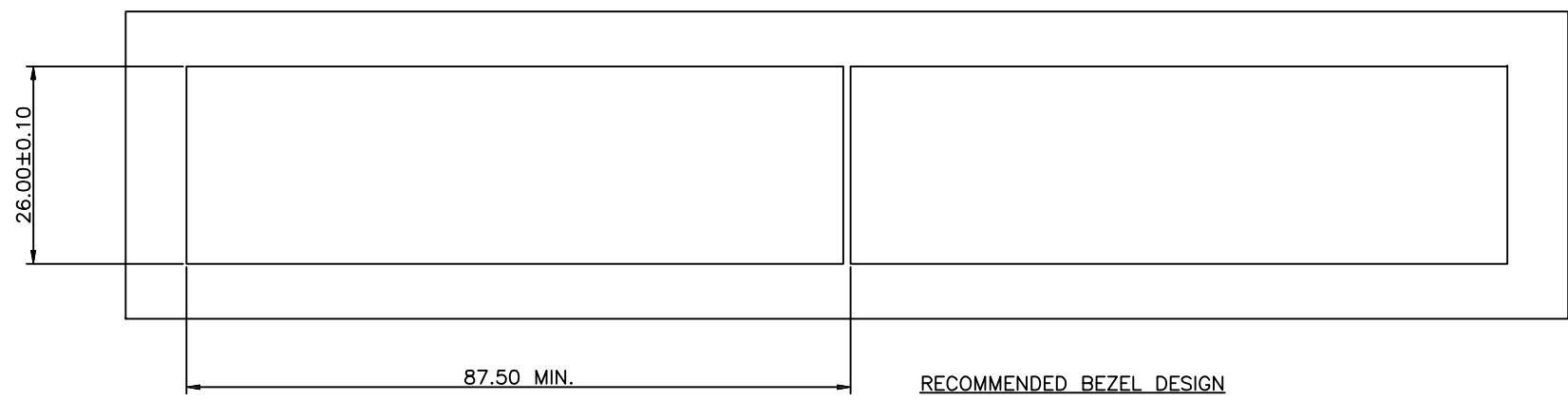
THE ENTIRE AREA OF THE CONNECTOR FOOTPRINT TO BE CONSIDERED THE KEEP OUT AREA FOR COMPONENTS (OTHER THAN LIGHT PIPE LE'S) THIS AREA IS INDICATED BY THE ADHSHED LINE



DETAIL LIGHT PIPE LOCATION AND OTHER ZONES
DETAIL K
2:1

				GENERAL TOLERANCE		DRAWN	<i>Gene Li</i>	2017/03/21	UNIT	MM	X-SHUN 东莞市祥舜电子科技有限公司 DONGGUAN X-SHUN ELECTRONICTECHNOLOGY CO., LTD TEL:+86 769 81885389 FAX:+86 769 81887859 E-Mail:sales@x-shun.com Http:www.x-shun.com
				.X ±0.35	X.° ± 2°	CHECKE	HYY	SCALE	1:1		
				.XX ±0.25	.X° ± 1°	APPROVE		SHEET	3/4		
A0		NEW DESIGN	2017/03/21					PART NO.	8001-26X015-01		
REV	ECN NO	DESCRIPTION	DATE	SIGNATURE	PROJECT	DRAWING NO		REV	A0	TITLE	SFP 2X6 CAGE+CONNECTOR

RoHS compliant



SECTION A-A

				GENERAL TOLERANCE		DRAWN	<i>Gene Li</i>	2017/03/21	UNIT	MM	X-SHUN 东莞市祥舜电子科技有限公司 DONGGUAN X-SHUN ELECTRONICTECHNOLOGY CO., LTD TEL:+86 769 81885389 FAX:+86 769 81887859 E-Mail:sales@x-shun.com Http:www.x-shun.com	
				.X ±0.35	X.° ± 2°	CHECKE	HYY		SCALE	1:1	PART NO.	8001-26X015-01
				.XX ±0.25	.X° ± 1°	APPROVE			SHEET	4/4	TITLE	
				.XXX ±0.15	.XX° ± 0.5°				REV	A0	SFP 2X6 CAGE+CONNECTOR	
REV	ECN NO	DESCRIPTION	DATE	SIGNATURE	PROJECT	DRAWING NO			REV	A0	TITLE	

A

A

1 2 3 4 5 6 7 8