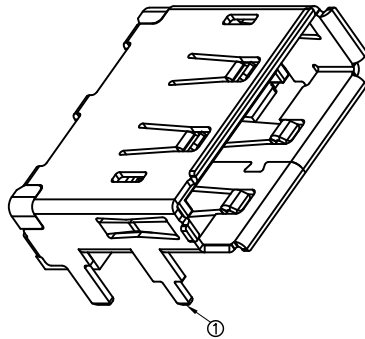
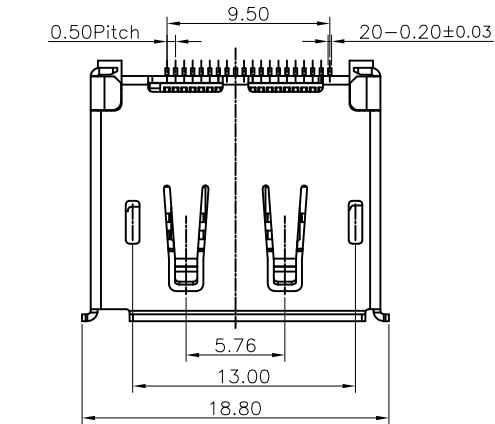
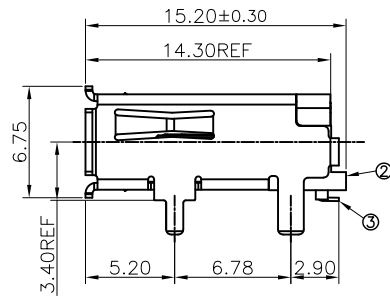
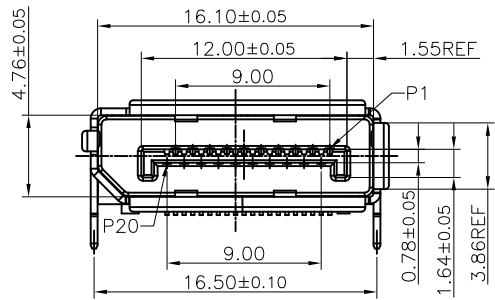


RoHS compliant



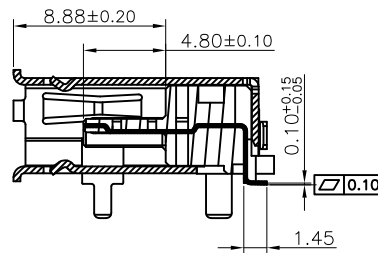
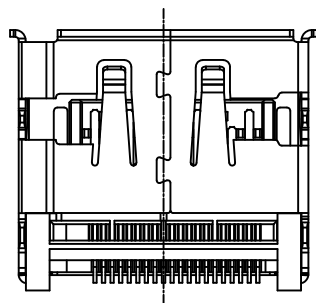
SPECIFICATIONS:

1. MECHANICAL :
  - 1.1 INSERTION FORCE : 44.1 N MAX
  - 1.2 WITHDRAWAL FORCE : 9.8 N MIN.  
AFTER 5,000 CYCLES MATING: 0.5kgf MIN.
2. ELECTRICAL :
  - 2.1 CONTACT CURRENT RATING: 0.5A MIN.
  - 2.2 VOLTAGE RATING : 40V AC (rms)
  - 2.3 WITHSTANDING VOLTAGE: 500 VAC FOR 1 MINUTE.
  - 2.4 INSULATION RESISTANCE: 100 MEGAOHMS MIN
  - 2.5 CONTACT RESISTANCE: 30 MILLIOHMS MAX.
3. ENVIRONMENTAL :
  - 3.1 OPERATING TEMPERATURE: -25°C TO +85°C



Part NO: XDPFA1-XXBNOR

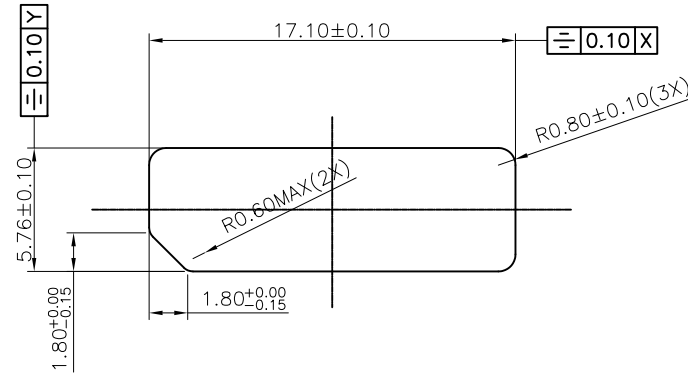
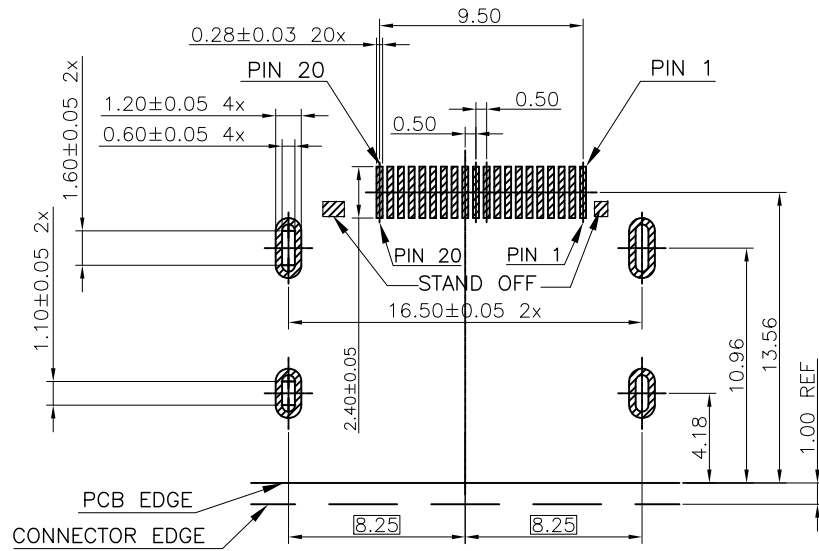
GF: G/F  
01: 1u"  
03: 3u"  
15: 15u"  
30: 30u"



20	CONTACT	COPPER ALLOY	③
1	HOUSING	THERMOPLASTIC UL94V-0	②
1	SHELL	COPPER ALLOY	①
QTY'S	PART	SPECIFICATION	ITEM

				GENERAL TOLERANCE		DRAWN	<i>Gene Li</i>	2017-07-21	UNIT	MM	东莞市祥舜电子科技有限公司 DONGGUAN X-SHUN ELECTRONIC TECHNOLOGY CO., LTD TEL:+86 769 81885389 FAX:+86 769 81887859 E-Mail:sales@x-shun.com Http:www.x-shun.com	
				.X ±0.35	X.° ± 2°	CHECKE	QC		SCALE	1:1		
				.XX ±0.25	.X° ± 1°	APPROVE			SHEET	1/2		
A0		NEW DESIGN	2017/07/21	.XXX ±0.15	.XX° ± 0.5°				PART NO.	XDPFA1-XXBNOR		
REV	ECN NO	DESCRIPTION	DATE	SIGNATURE	PROJECT	DRAWING NO			REV	A0	TITLE	DisplayPort 20PIN 母座 有卷边 SMT 贴片式 无柱 四脚插板 90度 DIP

RoHS compliant



REFERENCE PANEL CUT OUT DIMENSIONS

RECOMMENDED P.C.B. LAYOUT (THICKNESS=1.60mm)  
TOLERANCE UNSPECIFIED ±0.05mm

					GENERAL TOLERANCE		DRAWN	<i>Sene Li</i>	2017-07-21	UNIT	MM	<b>X-SHUN</b> 东莞市祥舜电子科技有限公司 DONGGUAN X-SHUN ELECTRONIC TECHNOLOGY CO., LTD TEL:+86 769 81885389 FAX:+86 769 81887859 E-Mail:sales@x-shun.com Http:www.x-shun.com		
					.X	±0.35	X.°	± 2°	CHECKE	QC	SCALE	1:1	PART NO.	XDPFA1-XXBNOR
					.XX	±0.25	.X.°	± 1°	APPROVE		SHEET	2/2		
A0		NEW DESIGN	2017/07/21		.XXX	±0.15	.XX.°	± 0.5°			REV	A0	TITLE	DisplayPort 20PIN 母座 有卷边 SMT 贴片式 无柱 四脚插板 90度 DIP
REV	ECN NO	DESCRIPTION	DATE	SIGNATURE	PROJECT		DRAWING NO				REV	A0	TITLE	DisplayPort 20PIN 母座 有卷边 SMT 贴片式 无柱 四脚插板 90度 DIP