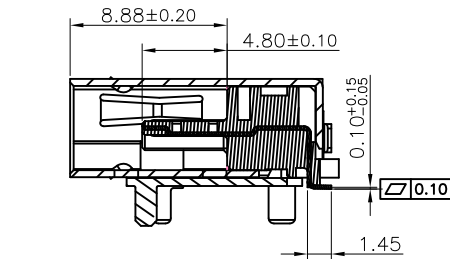
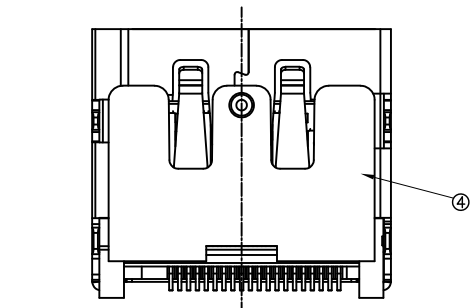
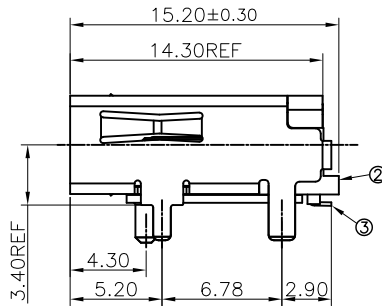
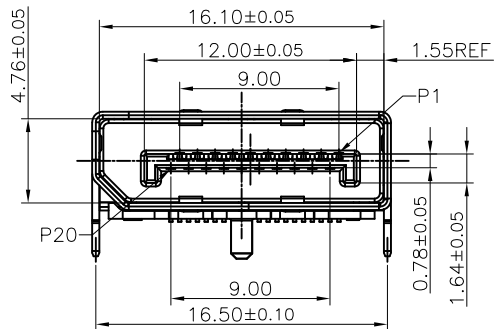
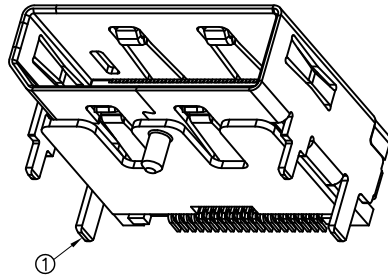
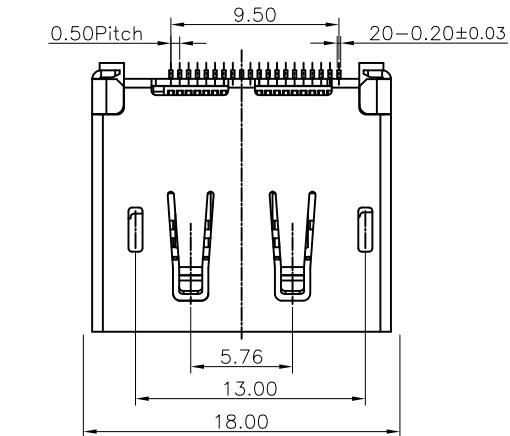


RoHS compliant



SPECIFICATIONS:

1. MECHANICAL :
 - 1.1 INSERTION FORCE : 44.1 N MAX
 - 1.2 WITHDRAWAL FORCE : 9.8 N MIN.
AFTER 5,000 CYCLES MATING: 0.5kgf MIN.
2. ELECTRICAL :
 - 2.1 CONTACT CURRENT RATING: 0.5A MIN.
 - 2.2 VOLTAGE RATING : 40V AC (rms)
 - 2.3 WITHSTANDING VOLTAGE: 500 VAC FOR 1 MINUTE.
 - 2.4 INSULATION RESISTANCE: 100 MEGAOHMS MIN
 - 2.5 CONTACT RESISTANCE: 30 MILLIOHMS MAX.
3. ENVIRONMENTAL :
 - 3.1 OPERATING TEMPERATURE: -25°C TO +85°C

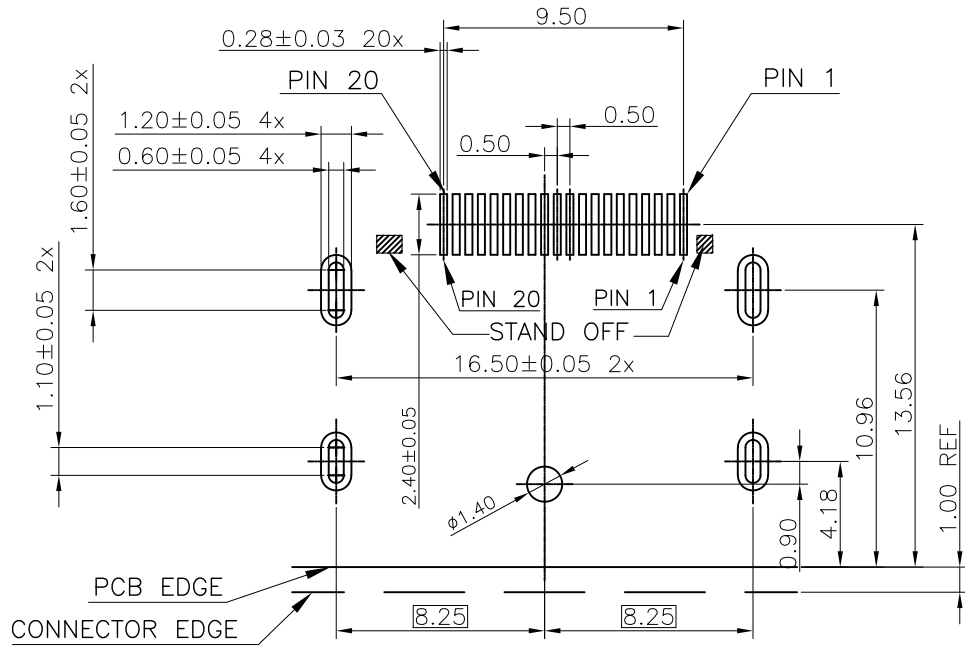
Part NO: XDPFGB1-XXBNOR

GF: G/F
01: 1u"
03: 3u"
15: 15u"
30: 30u"

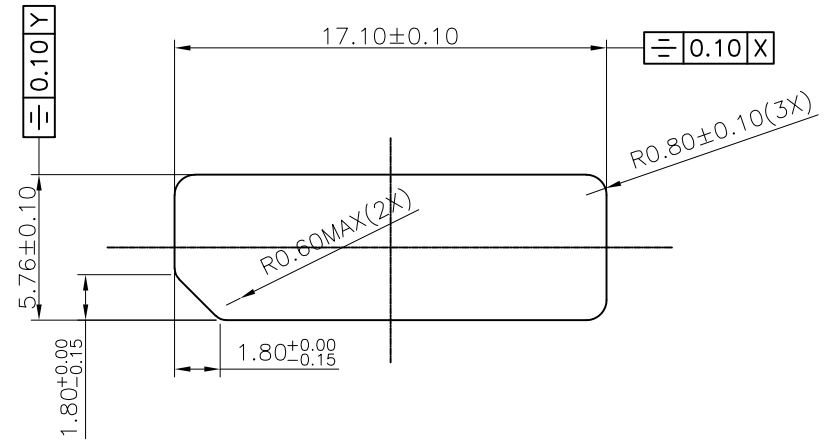
1	COVER	LCP BLACK UL94V-0	④
20	CONTACT	COPPER ALLOY, GOLD FLASH PLATED ON CONTACT AREA TIN PLATING ON SOLDER AREA, NI PLATING UNDER OVER ALL	③
1	HOUSING	LCP BLACK UL94V-0	②
1	SHELL	COPPER ALLOY, NI PLATING OVER ALL.	①
QTY'S	PART	SPECIFICATION	ITEM

				GENERAL TOLERANCE		DRAWN	<i>Gene Li</i>	2017-07-21	UNIT	MM	东莞市祥舜电子科技有限公司 DONGGUAN X-SHUN ELECTRONIC TECHNOLOGY CO., LTD TEL:+86 769 81885389 FAX:+86 769 81887859 E-Mail:sales@x-shun.com Http:www.x-shun.com	
				.X ±0.35	X.° ± 2°	CHECKE	QC		SCALE	1:1		
				.XX ±0.25	.X° ± 1°	APPROVE			SHEET	1/2		
				.XXX ±0.15	.XX° ± 0.5°	DRAWING NO			REV	A0		
A0		NEW DESIGN	2017/07/21								PART NO.	XDPFGB1-XXBNOR
REV	ECN NO	DESCRIPTION	DATE	SIGNATURE	PROJECT						TITLE	DisplayPort 20PIN 母座 无卷边 SMT 贴片式 有柱 四脚插板 90度 DIP

RoHS compliant



RECOMMENDED P.C.B. LAYOUT (THICKNESS=1.60mm)
TOLERANCE UNSPECIFIED ±0.05mm



REFERENCE PANEL CUT OUT DIMENSIONS

				GENERAL TOLERANCE		DRAWN	<i>Sene Li</i>	2017/07/21	UNIT	MM	X-SHUN 东莞市祥舜电子科技有限公司 DONGGUAN X-SHUN ELECTRONIC TECHNOLOGY CO., LTD TEL:+86 769 81885389 FAX:+86 769 81887859 E-Mail:sales@x-shun.com Http:www.x-shun.com
				.X ±0.35	X.° ± 2°	CHECKE	QC	SCALE	1:1		
A0		NEW DESIGN	2017/07/21	.XX ±0.25	.X° ± 1°	APPROVE		SHEET	2/2	PART NO.	XDPFGB1-XXBNOR
REV	ECN NO	DESCRIPTION	DATE	SIGNATURE	PROJECT	DRAWING NO		REV	A0	TITLE	DisplayPort 20PIN 母座 无卷边 SMT 贴片式 有柱 四脚插板 90度 DIP