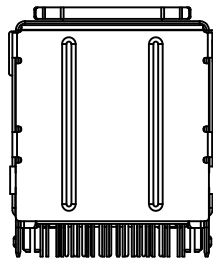
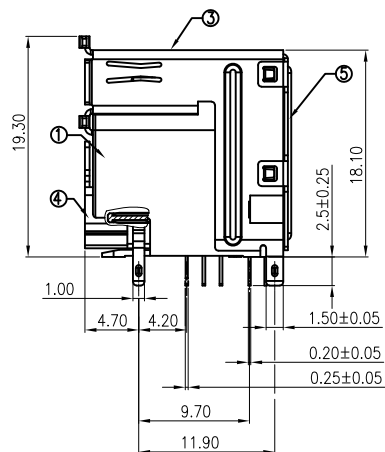
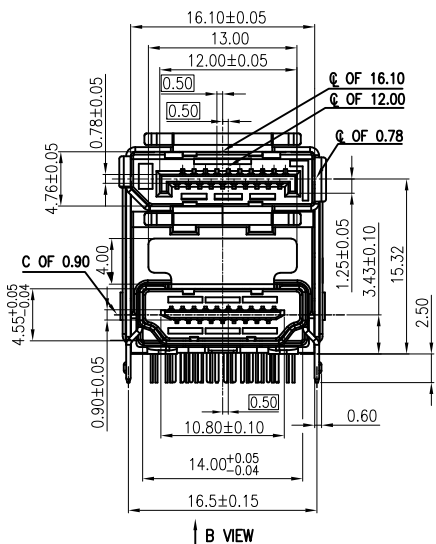
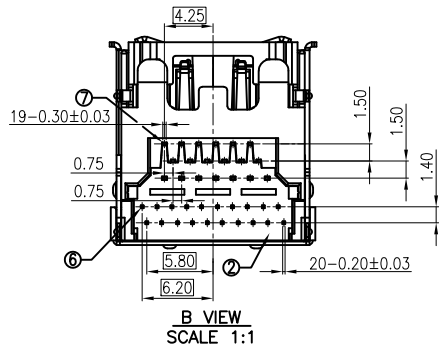
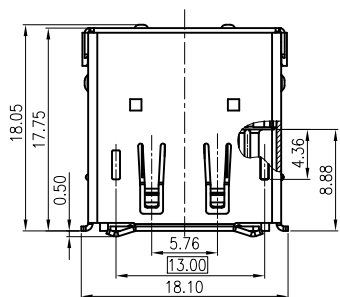


RoHS compliant



- | | |
|---|---|
| 1.SERIES NO.
DISPLAYPORT ADD HDMI COMBO
RECEPTACLE DIP TYPE CONNECTOR | 7.SHELL PLATING
SOLDERABLE NICKEL PLATED
GOLD FLASH PLATED |
| 2.PRODUCT CONSTRUCTION TYPE
HDMI+DISPLAYPORT | 8.HOUSING CONSTRUCTION
HOUSING WITHOUT POLES
HOUSING WITH POLES |
| 3.CONTACT&CONNECTION TYPES:
SOCKET | 9.SUFFIX NO.1
PVC TRAY PACKAGE |
| 4.COLOR CODES
BLACK | 10.SUFFIX NO.2
HOUSING AND SPACER MATERIALS IS PBT |
| 5.CONTACT PLATING:
0:SELECTIVER GOLD FLASH OVER NICKEL
2:SELECTIVER 15u" GOLD OVER NICKEL
3:SELECTIVER 30u" GOLE OVER NICKEL
4:GOLE FLASH ALLOVER OVER NICKEL | 11.SUFFIX NO.3
HOUSING WITH PARTITION BOARD |
| 6.SHELL CONSTRUCTION
SHELL TAIL THROUGH HOLE TYPE WITH RIB
SHELL TAIL THROUGH HOLE TYPE WITHOUT RIB | 12.SUFFIX NO.4
FOR YING TAI
COMMONAGE |
| | 13.SUFFIX NO.5
WITH DATE CODE
NONE: WITHOUT DATE CODE |

TABLE A:

ITEM	PART NAME	Q'TY	MATERIALS	NOTES
⑦	HDMI CONTACT	19	COPPER ALLOY	SELECTIVER Au OVER Ni
⑥	DISPLAYPORT CONTACT	20	COPPER ALLOY	SELECTIVER Au OVER Ni
⑤	BACK SHELL	1	STEEL	Cu UNDER PLATING Ni OVER
④	HDMI SHELL	1	COPPER ALLOY	Cu UNDER PLATING Ni OVER
③	DISPLAYPORT SHELL	1	COPPER ALLOY	Cu UNDER PLATING Ni OVER
②	SPACER	1	THERMOPLASTIC	UL94V-0
①	HOUSING	1	THERMOPLASTIC	UL94V-0

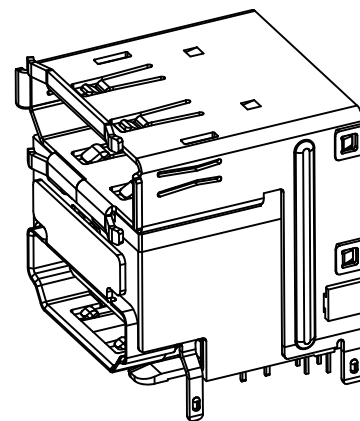
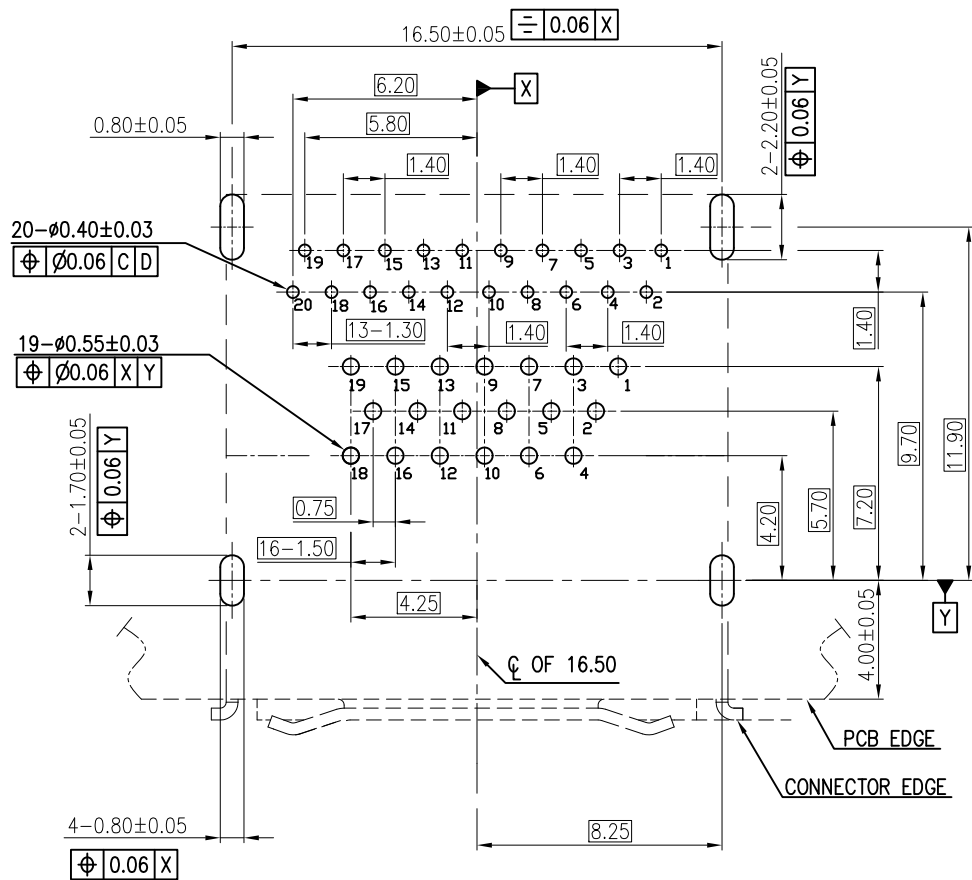
REV	ECN NO	DESCRIPTION	DATE	SIGNATURE	PROJECT	DRAWING NO	REV	A0	TITLE
A0		NEW DESIGN	2018/12/12						DISPLAYPORT+HDMI AF 双层 无定位柱 L=18.05mm 针长2.50mm DIP 90度

X-SHUN 东莞市祥舜电子科技有限公司
DONGGUAN X-SHUN ELECTRONICTECHNOLOGY CO., LTD
TEL:+86 769 81885389 FAX:+86 769 81887859
E-Mail:sales@x-shun.com Http:www.x-shun.com

PART NO: QDMC-DPHDMI 1805WZ8

DISPLAYPORT+HDMI AF 双层 无定位柱
L=18.05mm 针长2.50mm DIP 90度

RoHS compliant



NOTE:

1. MECHANICAL:

1.1 IINSERTION FORCE:

- 1.1.1 HDMI:44.1N MAX
- 1.1.2 DISPALYPORT:44.1MAX

2.1 WITHDRAWAL FORCE:

- 2.1.1 HDMI:9.8N MIN,39.2N MAX
- 2.1.2 DISPLAYPORT:9.8N MIN,39.2N MAX

2.ELECTRICAL:

2.1 CONTACT CURRENT RATING:

- 2.1.1 HDMI:0.5A MAX
- 2.1.2 DISPLAYPORT:0.5A MAX

2.2 VOLTAGE RATING:

2.2.1 HDMI:40V AC(RMS)

2.2.2 DISPLAYPORT:40V AC(RMS)

2.3 WITHSTANDING VOLTAGE(MATED):

2.3.1 HDMI:300V AC(RMS)

2.3.2 DISPLAYPORT:300V AC(RMS)

2.4 INSULATION RESISTANCE(MATED):

2.4.1 HDMI:150V DC

2.4.2 DISPLAYPORT:150V DC

3. ENVIRONMENTAL:

3.1 OPERATING TEMPERATURE:

3.1.1 HDMI:-25° TO +85°

3.1.2 DISPLAYPORT:-25° TO +85°

RECOMMENDED PCB LAYOUT (SCALE 2:1)
THICKNESS=1.6±0.10mm

				GENERAL TOLERANCE		DRAWN	Gene Li	2018/12/12	UNIT	MM	X-SHUN 东莞市祥舜电子科技有限公司 DONGGUAN X-SHUN ELECTRONICTECHNOLOGY CO., LTD			
				.X	±0.35	X.°	± 2°	CHECKE	QC	SCALE	1:1	TEL:+86 769 81885389		
				.XX	±0.25	.X°	± 1°	APPROVE		SHEET	2 OF 2	FAX:+86 769 81887859		
				.XXX	±0.15	.XX°	± 0.5°	DRAWING NO		REV	A0	E-Mail:sales@x-shun.com		
REV	ECN NO	DESCRIPTION	DATE	SIGNATURE	PROJECT							PART NO.	QDMC-DPHDMI1805WZ8	
												TITLE		DISPLAYPORT+HDMI AF 双层 无定位柱 L=18.05mm 针长2.50mm DIP 90度