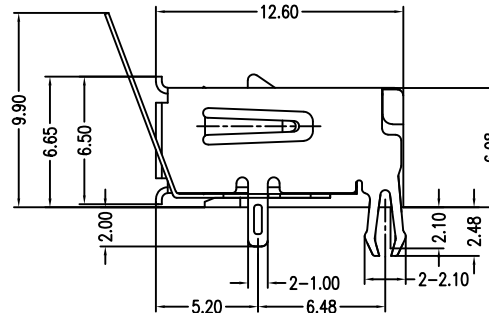
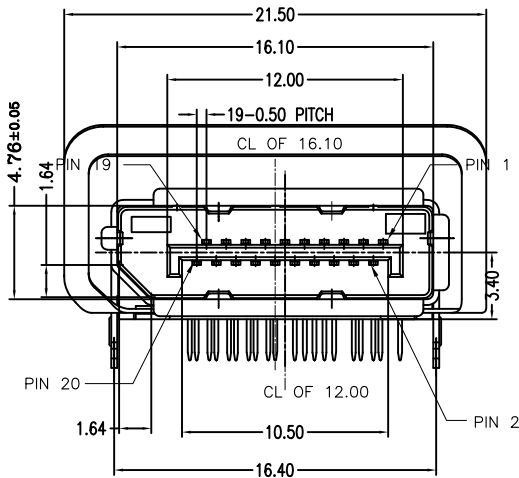
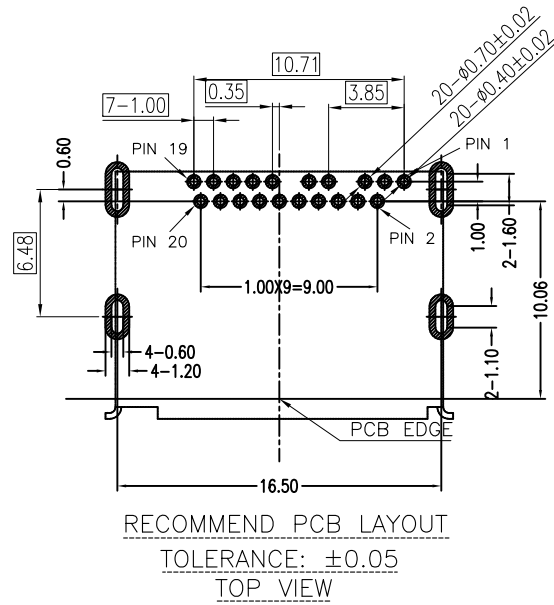
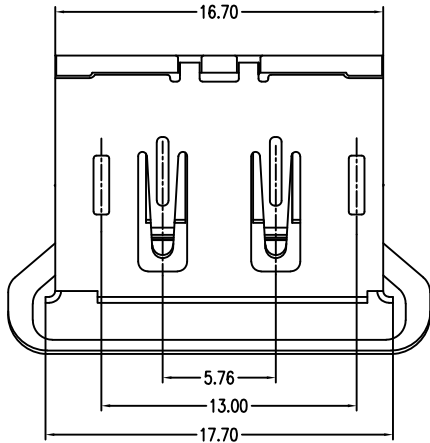


RoHS compliant



### MATERIALS

1. HOUSING :THERMOPLASTIC (UL 94V-0) BLACK.
2. TERMINAL : COPPER ALLOY,  
PLATING : GOLD PLATED ON CONTACT AREA,  
TIN PLATED ON SOLDER TAILS.
3. SHELL : COPPER,ALLOY  
PLATING : NICKEL PLATED OVERALL.
4. SHRAPNEL : SUS,

### SPECIFICATION

1. CURRENT RATING : 0.5A. MAX.
2. DIELECTRIC WITHSTANDING VOLTAGE :  
500V AC R.M.S. FOR ONE MINUTE.
3. INSULATION RESISTANCE : 100MΩ MIN.  
AT 500V DC
4. CONTACT RESISTANCE : 30mΩ MAX.
5. OPERATING TEMPERATURE : -25°C TO +85°C.
6. DURABILITY : 10000 CYCLES.
7. MATING FORCE : 4.5kgf MAX.
8. UNMATING FORCE : 1.0kgf MIN.

Part NO:XDPCA1-XXBNOREMI

GF: G/F  
01: 1u"  
03: 3u"  
15: 15u"  
30: 30u"

				GENERAL TOLERANCE		DRAWN	Gene Li		2019/04/11		<b>东莞市祥舜电子科技有限公司</b> DONGGUAN X-SHUN ELECTRONIC TECHNOLOGY CO., LTD						
				.X ±0.35	X.° ± 2°	CHECKE	QC										
A0				NEW DESIGN		2019/04/11				PART NO.		XDPCA1-XXBNOREMI					
REV				ECN NO		DESCRIPTION		DATE		SIGNATURE		PROJECT		TITLE:		DisplayPort 20PIN 母座 有卷边 DIP 90度 DIP FEMALE TYPE + EMI 有弹片	
										UNIT		mm		SCALE		1:1	
										SHEET				REV		A0	
												DRAWING NO.				DP-07	