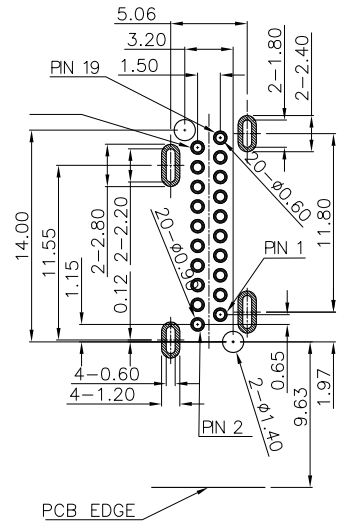
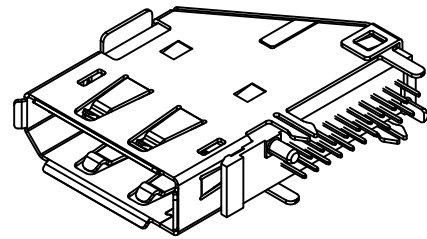
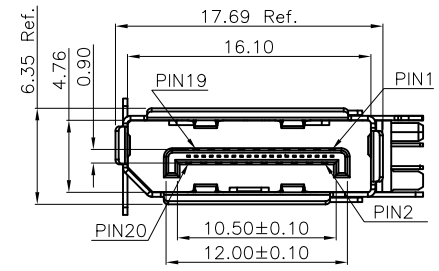
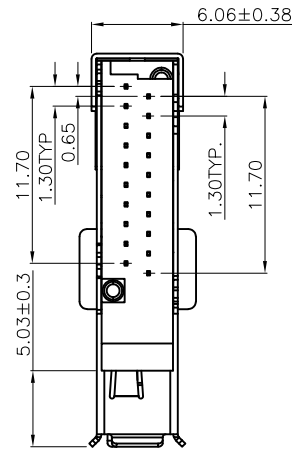
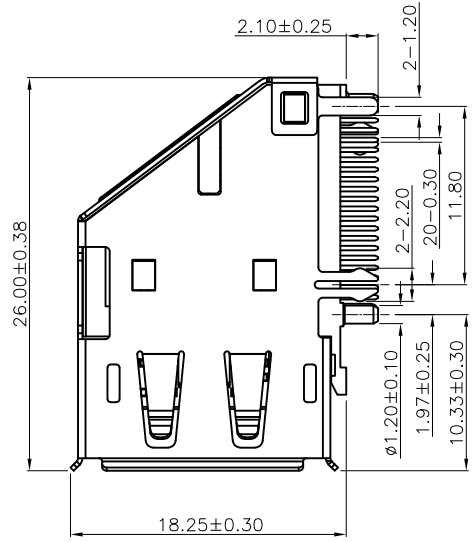
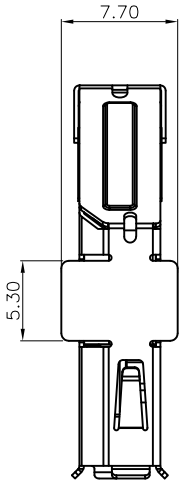
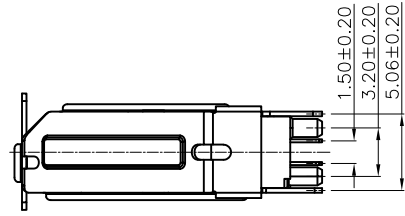


RoHS compliant



RECOMMEND PCB LAYOUT TOLERANCE: ±0.05 TOP VIEW

NOTES:

1. HOUSING: LCP (UL94V-0), BLACK.
2. TERMINAL: COPPER ALLOY, GOLD PLATED ON CONTACT AREA, TIN PLATED ON SOLDER TAILS. NICKEL PLATED OVERALL.
3. SHELL: STAINLESS STEEL, T=0.30mm, NICKEL PLATED OVERALL.

SPECIFICATION

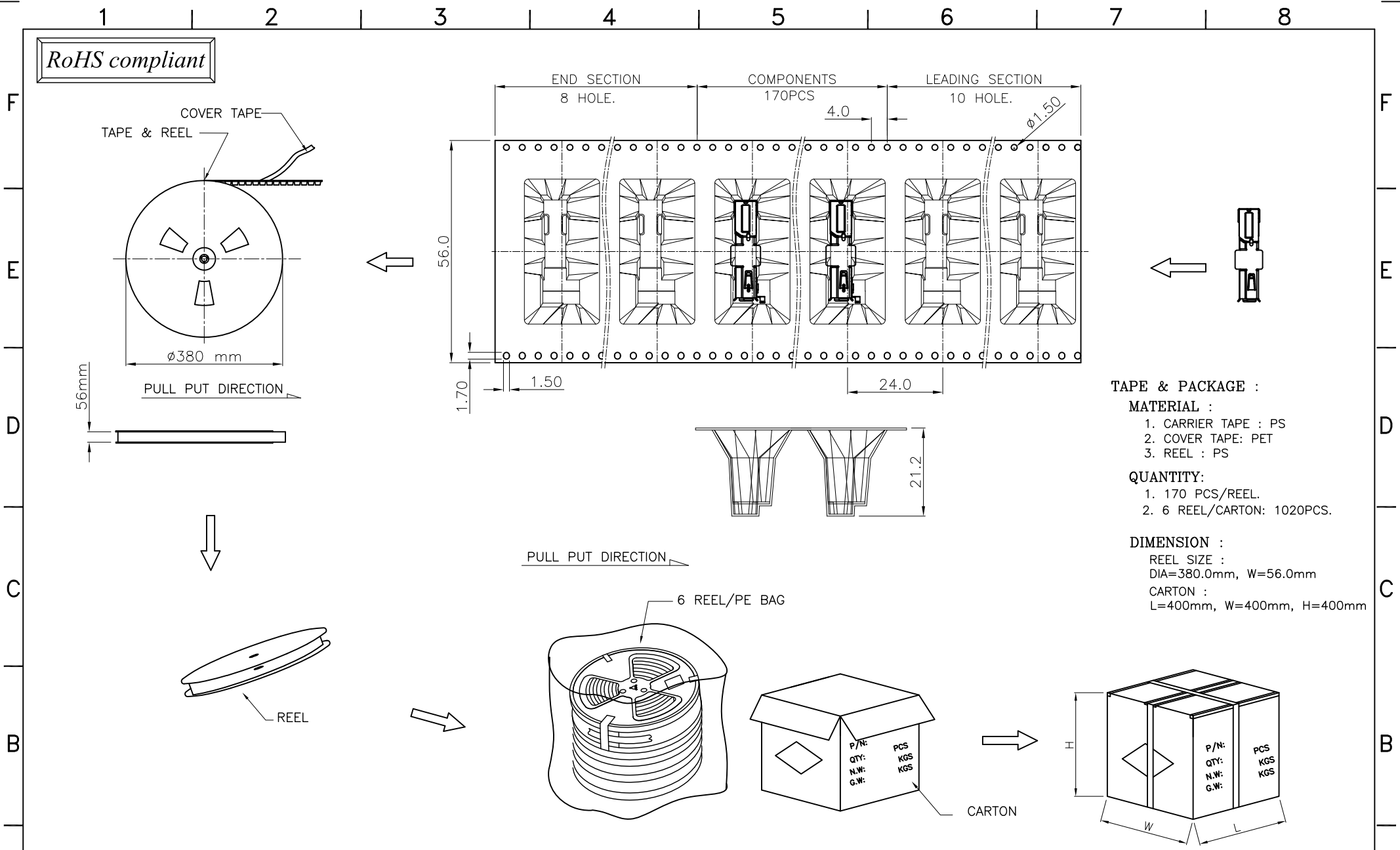
1. CURRENT RATING: 0.5A MAX .
2. DIELECTRIC WITHSTANDING VOLTAGE: 500V AC R.M.S. FOR ONE MINUTE.
3. INSULATION RESISTANCE: 100MΩ MIN.AT 500V DC.
4. CONTACT RESISTANCE: 30mΩ MAX.
5. OPERATING TEMPERATURE: -25°C TO +85°C.
6. DURABILITY: 10000 CYCLES.
7. MATING FORCE: 4.5kgf MAX.
8. UNMATING FORCE: 1.0kgf MIN.

				GENERAL TOLERANCE		DRAWN	Gene Li	2019/06/22	东莞市祥舜电子科技有限公司 DONGGUAN X-SHUN ELECTRONIC TECHNOLOGY CO., LTD				
				.X	±0.35	X.°	± 2°	CHECKE	QC	PART NO.		SDPFEB2-GFBN1XX	
				.XX	±0.25	.X°	± 1°	APPROVE		TITLE:		DISPLAYPORT, FEMALE UPRIGHT TYPE, R/A DIP.	
				.XXX	±0.15	.XX°	± 0.5°	PROJECT		REV	A0	DRAWING NO.	DP-06
REV	ECN NO	DESCRIPTION	DATE	SIGNATURE	UNIT		mm	SCALE	1:1	SHEET	1/2		

A

A

RoHS compliant



TAPE & PACKAGE :
MATERIAL :
 1. CARRIER TAPE : PS
 2. COVER TAPE: PET
 3. REEL : PS
QUANTITY:
 1. 170 PCS/REEL.
 2. 6 REEL/CARTON: 1020PCS.
DIMENSION :
REEL SIZE :
 DIA=380.0mm, W=56.0mm
CARTON :
 L=400mm, W=400mm, H=400mm

				GENERAL TOLERANCE		DRAWN		Gene Li		2019/06/22		东莞市祥舜电子科技有限公司 DONGGUAN X-SHUN ELECTRONIC TECHNOLOGY CO., LTD			
				.X ±0.35	X.° ± 2°	CHECKE		QC							
A0				NEW DESIGN		2019/06/22						TITLE:		DISPLAYPORT, FEMALE UPRIGHT TYPE, R/A DIP.	
REV	ECN NO	DESCRIPTION	DATE	SIGNATURE	PROJECT	UNIT	mm	SCALE	1:1	SHEET	2/2	REV	A0	DRAWING NO.	DP-06