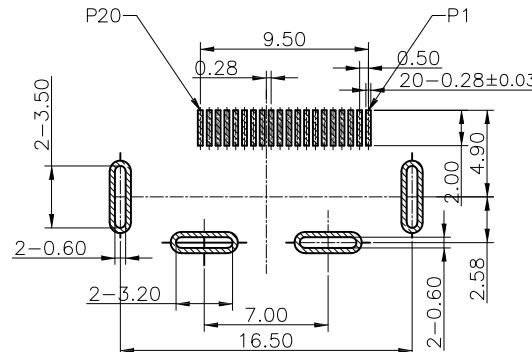
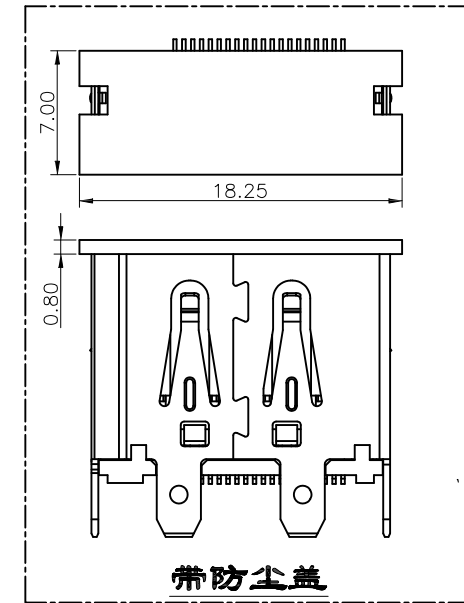
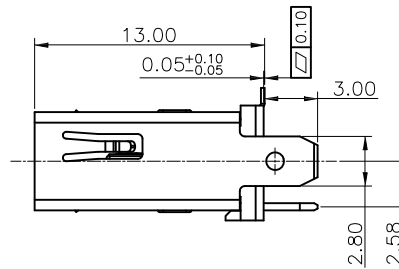
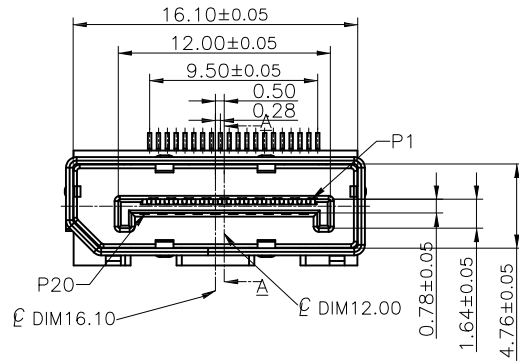
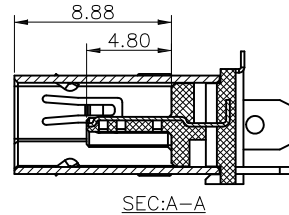
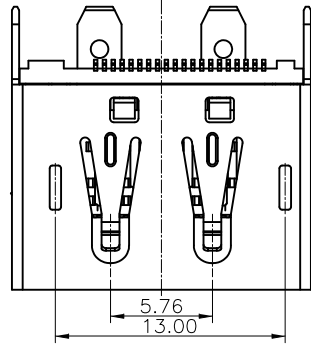


RoHS compliant

SPECIFICATIONS:

1. MECHANICAL :
 - 1.1 INSERTION FORCE :44.1 N MAX
 - 1.2 WITHDRAWAL FORCE :9.8 N MIN.
AFTER 5,000 CYCLES MATING: 0.5kgf MIN.
2. ELECTRICAL :
 - 2.1 CONTACT CURRENT RATING: 0.5A MIN.
 - 2.2 VOLTAGE RATING :40V AC (rms)
 - 2.3 WITHSTANDING VOLTAGE: 500 VAC FOR 1 MINUTE.
 - 2.4 INSULATION RESISTANCE: 100 MEGAOHMS MIN
 - 2.5 CONTACT RESISTANCE: 30 MILLIOHMS MAX.
3. ENVIRONMENTAL :
 - 3.1 OPERATING TEMPERATURE:-25° C TO +85° C



RECOMMENDED P.C.B. LAYOUT (THICKNESS=1.60mm)
TOLERANCE UNSPECIFIED ±0.05mm

ITEM	QTY'S	PART	SPECIFICATION
4	1	DUST COVER	LCP BLACK UL94V-0
3	20	CONTACT	COPPER ALLOY; GOLD PLATED OVER NICKEL ON CONTACT AREA AND 100u" MIN. TIN PLATED OVER NICKEL ON SOLDER TAILS
2	1	HOUSING	LCP BLACK UL94V-0
1	1	SHELL	SPCC/COPPER ALLOY NICKEL PLATED

REV	ECN NO	DESCRIPTION	DATE	SIGNATURE	PROJECT	UNIT	mm	SCALE	1:1	SHEET	REV	A0	DRAWING NO.	DP-08	
A0		NEW DESIGN	2018/09/12												
GENERAL TOLERANCE						DRAWN	Gene Li		2018/09/12		PART NO. XDPFV13-GFSNOR				
.X ±0.35 X.° ±2°						CHECKE	QC				TITLE: DP 20P母座 立式SMT 无卷板 四脚插板 H=13.0MM				
.XX ±0.25 .X.° ±1°						APPROVE									
.XXX ±0.15 .XX.° ±0.5°															

X-SHUN 东莞市祥舜电子科技有限公司
DONGGUAN X-SHUN ELECTRONIC TECHNOLOGY CO., LTD