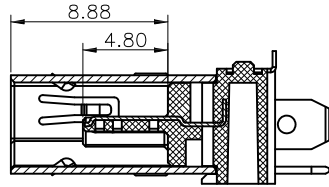
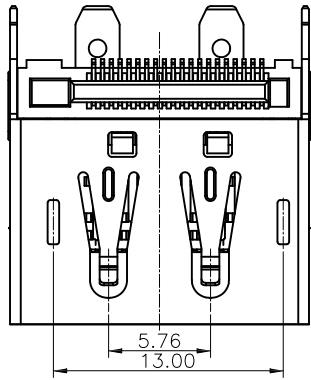
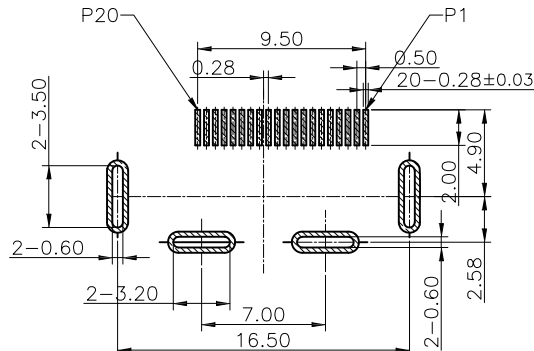
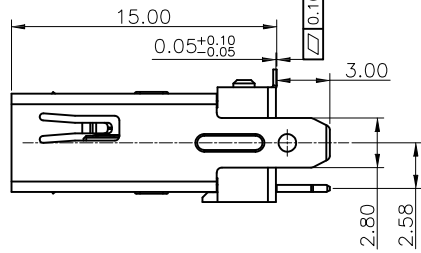
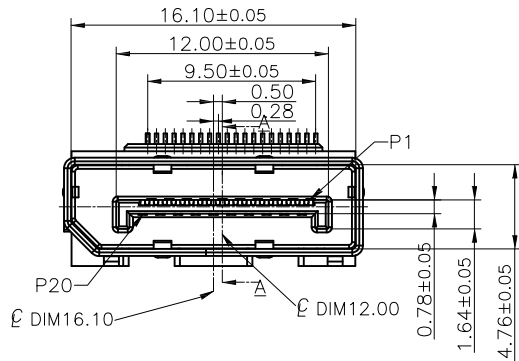
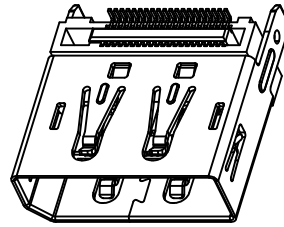


RoHS compliant



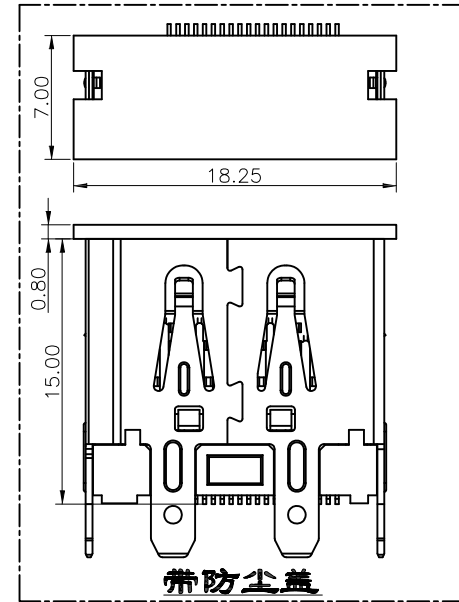
SEC:A-A



RECOMMENDED P. C. B. LAYOUT (THICKNESS=1.60mm)
TOLERANCE UNSPECIFIED ± 0.05mm

SPECIFICATIONS:

1. MECHANICAL :
 - 1.1 INSERTION FORCE :44.1 N MAX
 - 1.2 WITHDRAWAL FORCE :9.8 N MIN.
AFTER 5,000 CYCLES MATING: 0.5kgf MIN.
2. ELECTRICAL :
 - 2.1 CONTACT CURRENT RATING: 0.5A MIN.
 - 2.2 VOLTAGE RATING :40V AC (rms)
 - 2.3 WITHSTANDING VOLTAGE: 500 VAC FOR 1 MINUTE.
 - 2.4 INSULATION RESISTANCE: 100 MEGAOHMS MIN
 - 2.5 CONTACT RESISTANCE: 30 MILLIOHMS MAX.
3. ENVIRONMENTAL :
 - 3.1 OPERATING TEMPERATURE:-25° C TO +85° C



4	1	DUST COVER	LCP BLACK UL94V-0
3	20	CONTACT	COPPER ALLOY; GOLD PLATED OVER NICKEL ON CONTACT AREA AND 100u" MIN. TIN PLATED OVER NICKEL ON SOLDER TAILS
2	1	HOUSING	LCP BLACK UL94V-0
1	1	SHELL	SPCC/COPPER ALLOY NICKEL PLATED
ITEM	QTY'S	PART	SPECIFICATION

				GENERAL TOLERANCE		DRAWN		Gene Li		2018/09/12	
				.X ±0.35 X.° ± 2°		CHECKED		QC			
A0				NEW DESIGN		2018/09/12					
REV				ECN NO		DESCRIPTION		DATE		SIGNATURE	
				PROJECT		UNIT		mm		SCALE 1:1	
				SHEET		SHEET		REV		A0	

X-SHUN 东莞市祥舜电子科技有限公司			
DONGGUAN X-SHUN ELECTRONIC TECHNOLOGY CO., LTD			
PART NO.		XDPPFV15-GFSNOR	
TITLE:		DP 20P母座 立式SMT 无卷板 四脚插板 H=15.00MM	
REV		A0	
DRAWING NO.		DP-09	