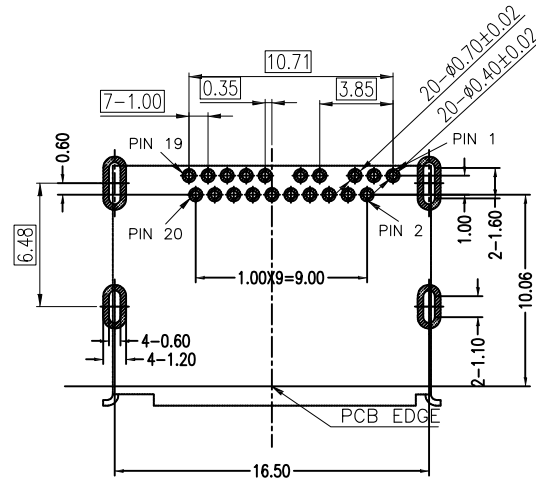
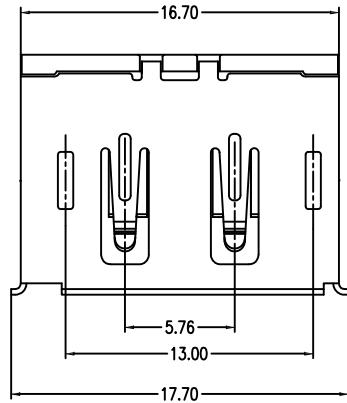
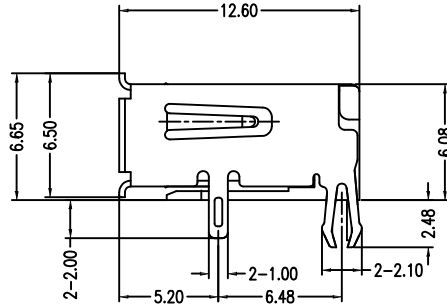
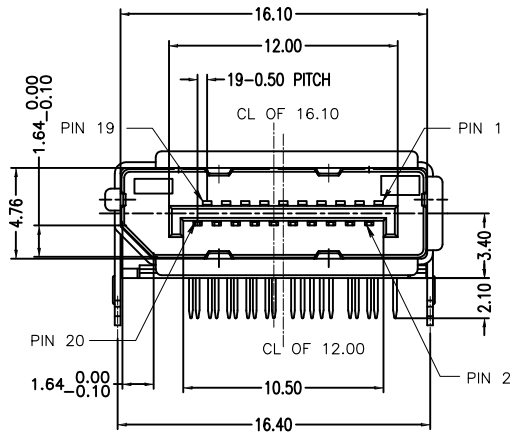
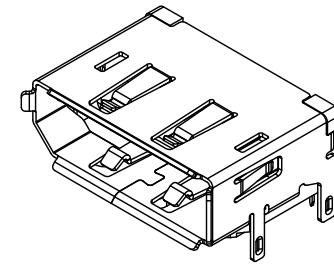


RoHS compliant



RECOMMEND PCB LAYOUT
TOLERANCE: ± 0.05
TOP VIEW



MATERIALS

- HOUSING : THERMOPLASTIC (UL 94V-0) BLACK.
- TERMINAL : COPPER ALLOY,
PLATING : GOLD PLATED ON CONTACT AREA,
TIN PLATED ON SOLDER TAILS.
- SHELL : COPPER ALLOY,
PLATING : NICKEL PLATED OVERALL.

SPECIFICATION

- CURRENT RATING : 0.5A. MAX.
- DIELECTRIC WITHSTANDING VOLTAGE :
500V AC R.M.S. FOR ONE MINUTE.
- INSULATION RESISTANCE : 100MΩ MIN.
AT 500V DC
- CONTACT RESISTANCE : 30mΩ MAX.
- OPERATING TEMPERATURE : -25°C TO +85°C.
- DURABILITY : 10000 CYCLES.
- MATING FORCE : 4.5kgf MAX.
- UNMATING FORCE : 1.0kgf MIN.

				GENERAL TOLERANCE		DRAWN	Gene Li		2018/09/12		东莞市祥舜电子科技有限公司 DONGGUAN X-SHUN ELECTRONIC TECHNOLOGY CO., LTD				
				.X	± 0.35	X.°	$\pm 2^\circ$	CHECKE	QC	PART NO.				XDPFAA1-GFBNR19	
A0	NEW DESIGN			2018/09/12							TITLE:			DP 20P母座 卧式DIP有卷边 前脚1.0MM 后脚鱼叉型	
REV	ECN NO	DESCRIPTION	DATE	SIGNATURE	PROJECT		UNIT	mm	SCALE	1:1	SHEET	REV	A0	DRAWING NO.	DP-10