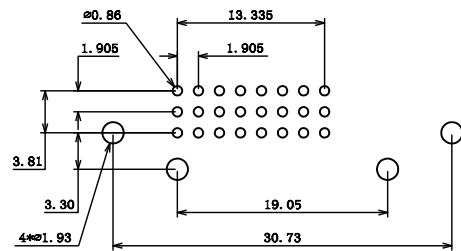
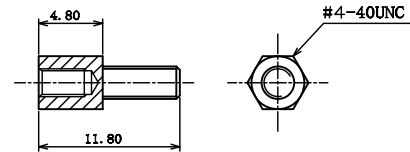
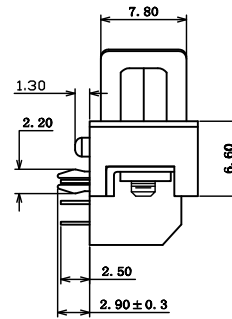
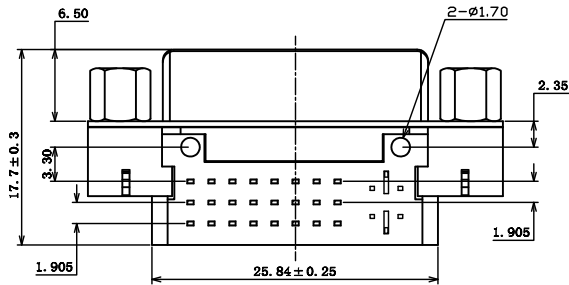
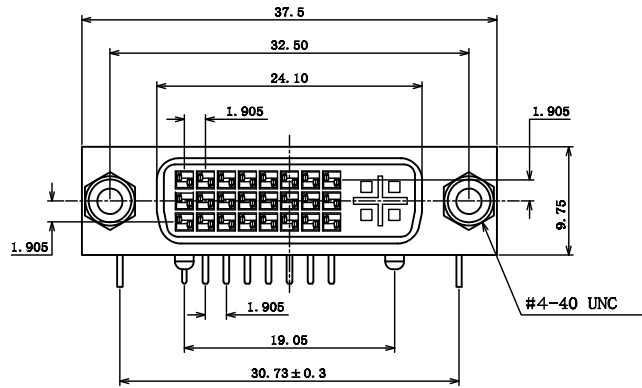


RoHS compliant



**TECHNICAL REQUIREMENTS:**

**1. ELECTRICAL:**

- CURRENT RATING: 3AMPS.
- VOLTAGE RATING: 500VAC.
- CONTACT RESISTANCE: 30mΩ MAX.
- INSULATION RESISTANCE: 1000mΩ

**2. ENVIRONMENTAL:**

- OPERATING TEMPERATURE: -25°C to +85°C
- STORAGE TEMPERATURE: 20°C TO 25°C

PART NAME	QTY.	MATERIAL	ITEM
SCREW	2	Steel, Ni PLATING OVER ALL.	⑦
FISH FORK	2	SPCC, Tin PLATING OVER ALL.	⑥
SHELL	1	SPCC, Ni PLATING OVER ALL.	⑤
RIVET	2	COPPER ALLOY, Ni PLATING OVER ALL.	④
COVER	1	PA66+30%G. F	③
CONTACT	24	BRASS, SEMI-GOLD TIN	②
INSULATOR	1	PBT+30%G. F	①

REV	ECN NO	DESCRIPTION	DATE	SIGNATURE	PROJECT	UNIT	mm	SCALE	1:1	SHEET	REV	A0	DRAWING NO.	DVI-02	
A0		NEW DESIGN	2017/05/09												
					GENERAL TOLERANCE	DRAWN	Gene Li		2017/05/09		<b>X-SHUN</b> 东莞市祥舜电子科技有限公司 DONGGUAN X-SHUN ELECTRONIC TECHNOLOGY CO., LTD				
					.X ±0.35 X.° ± 2°	CHECKE	QC				PART NO.		XDV5CN1-01PW10		
					.XX ±0.25 .X° ± 1°	APPROVE					TITLE:		DVI24+5 母座 卧式DIP (空信号针) 短柱铆合 锁螺丝		
					.XXX ±0.15 .XX° ± 0.5°										