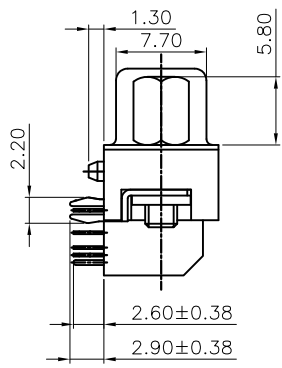
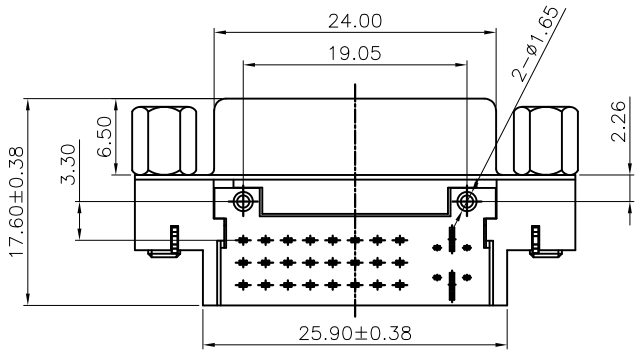
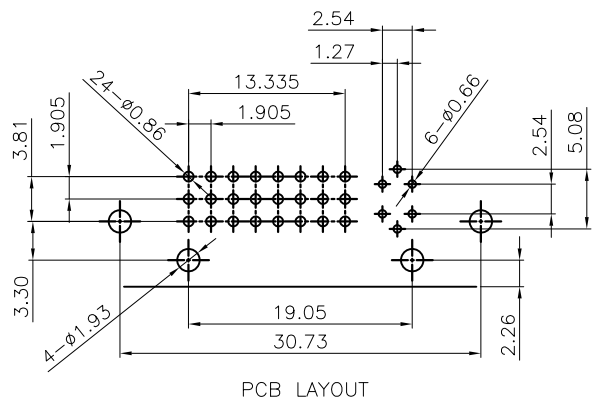
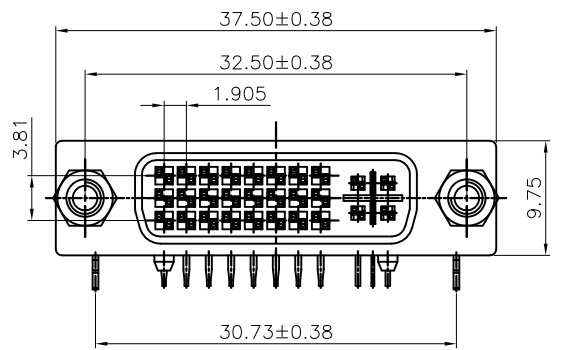


RoHS compliant



ELECTRICAL SPECIFICATION

INSULATION RESISTANCE: 1000 MEGOHMS MIN
 DIELECTRIC WITHSTANDING VOLTAGE: 500V AC RMS
 CONTACT RESISTANCE: 30 MILIOHMS MAX.
 OPERATING TEMPERATURE: -20°C TO +85°C
 MARKED (XX) DIMENSION SHOULD BE MEASURED IN FAI

ITEM	PART NAME	QTY.	MATERIAL	REMAKS
⑦	SCREW	2	Steel	Ni
⑥	FISH FORK	2	SPCC	Tin
⑤	SHELL	1	SPCC	Ni
④	RIVET	2	COPPER ALLOY	Ni
③	COVER	1	PA66+30%G.F	COLOR WHITE
②	CONTACT	29	BRASS	SEMI-GOLD TIN
①	INSULATOR	1	PBT+30%G.F	COLOR WHITE

REV	ECN NO	DESCRIPTION	DATE	SIGNATURE	PROJECT	UNIT	mm	SCALE	1:1	SHEET	REV	A0	DRAWING NO.	DVI-03
A0		NEW DESIGN	2017/05/09											
					GENERAL TOLERANCE			DRAWN	Gene Li	2017/05/09	X-SHUN 东莞市祥舜电子科技有限公司 DONGGUAN X-SHUN ELECTRONIC TECHNOLOGY CO., LTD			
					.X ±0.35	X.° ± 2°		CHECKE	QC		PART NO. XDV5CN3-01PW1P9			
					.XX ±0.25	.X° ± 1°		APPROVE			TITLE: DVI24+5 母座 卧式DIP (满信号针) 短柱铆合 锁螺丝			
					.XXX ±0.15	.XX° ± 0.5°								