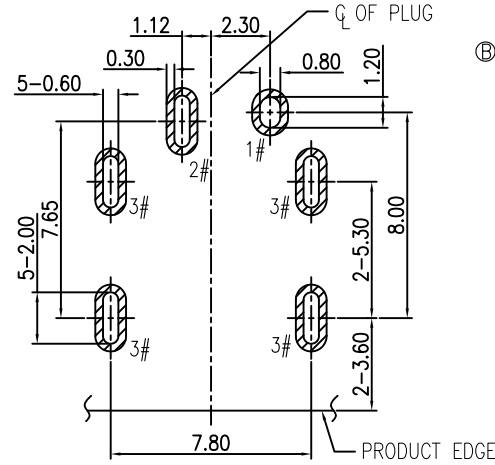
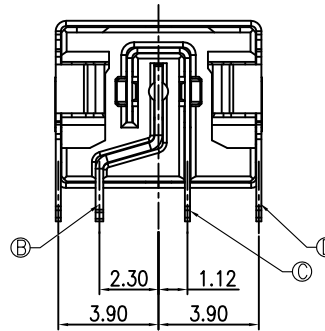
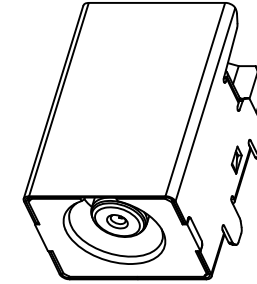
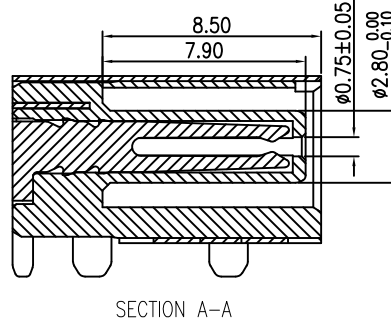
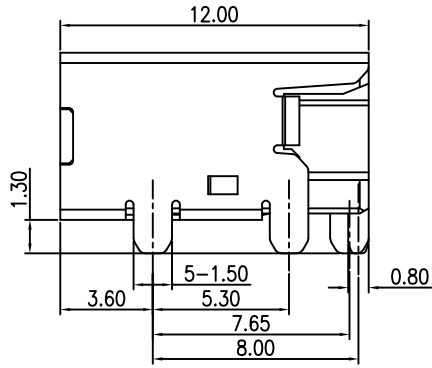
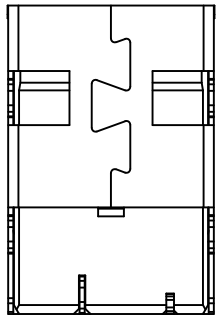
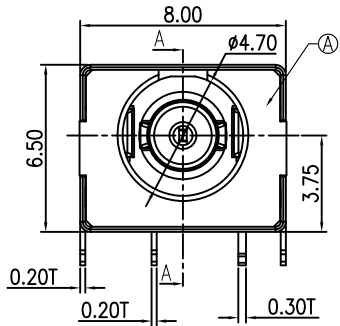
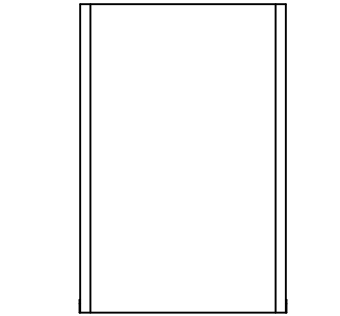


RoHS compliant

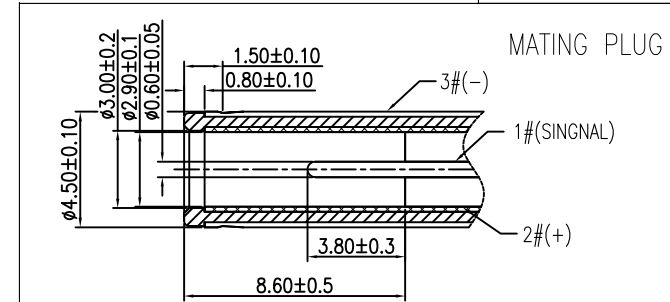


RECOMMENDED PCB LAYOUT
TOP VIEW TOLERANCE: ± 0.05

SPECIFICATION:

1. RATING: DC 20V 6.5A
2. CONTACT RESISTANCE: 30m Ω MAX.
3. INSULATION RESISTANCE: 100 M Ω MIN.
4. WITHSTAND VOLTAGE: 500 VAC
5. INSERTION FORCE: 30N MAX.
6. EXTRACTION FORCE: 6N MIN.
7. DURABILITY: 5,000 CYCLES

SCHEMATIC	
	2#(+)
	1#(SIGNAL)
	3#(-)



NO.	DESCRIPTION	MATERIAL	REMARKS	QTY
D	SHELL	COPPER ALLOY	Ni 50u"MIN.	1
C	SPRING	COPPER ALLOY	GOLD FLASH/MATTE TIN 80u"/Ni 40u"	1
B	CENTER PIN	COPPER ALLOY	GOLD FLASH/MATTE TIN 80u"/Ni 40u"	1
A	HOUSING	HIGH TEMP.THERMOPLASTIC	BLACK	1

REV	ECN NO	DESCRIPTION	DATE	SIGNATURE	PROJECT	UNIT	mm	SCALE	1:1	SHEET	REV	A0	DRAWING NO.	H-DC-03
A0		NEW DESIGN	2019/03/27											
					GENERAL TOLERANCE	DRAWN		Gene Li		2019/03/27		X-SHUN 东莞市祥舜电子科技有限公司 DONGGUAN X-SHUN ELECTRONIC TECHNOLOGY CO., LTD		
					.X ± 0.35 X. $^{\circ}$ $\pm 2^{\circ}$	CHECKER		SHZ		PART NO.		DC450060-0142-20000H		
					.XX ± 0.25 .X. $^{\circ}$ $\pm 1^{\circ}$	APPROVE				TITLE:		Φ4.50 X Φ0.60 H6.50 卧式 DC POWER JACK		
					.XXX ± 0.15 .XX. $^{\circ}$ $\pm 0.5^{\circ}$									