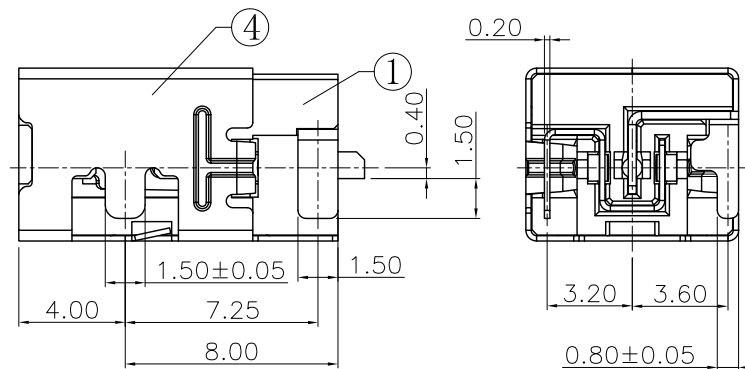
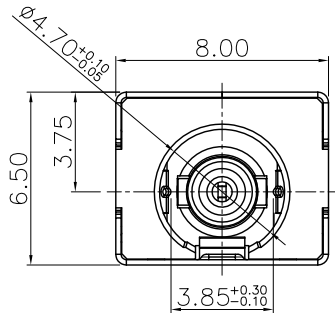
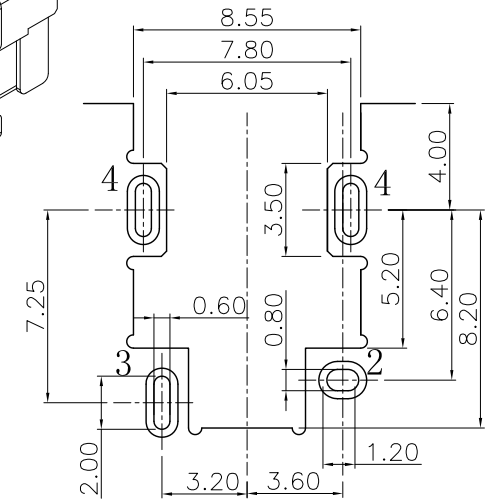
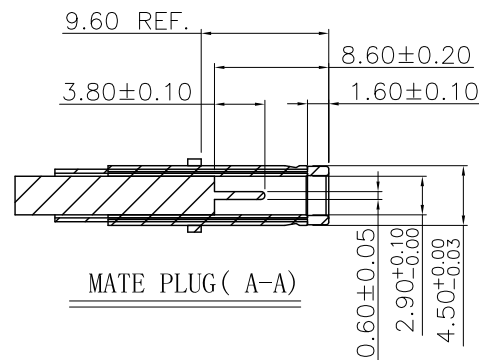
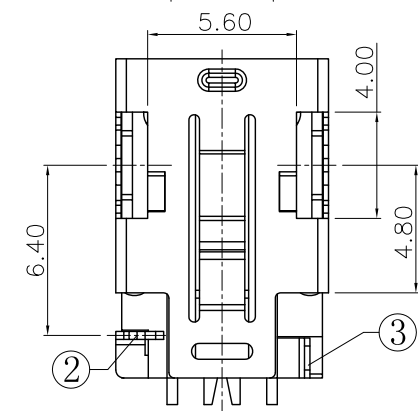


P. C. B LAYOUT

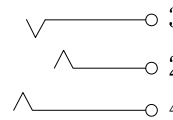


SPECIFICATION

1. Rating : DC 20V 6.5A;
2. Contact resistance:  $\leq 0.03 \Omega$ ;
3. Insulation resistance:  $\geq 100M \Omega$  (DC250V);
4. Withstand voltage: 500VAC ;
5. Insertion and extraction force: 4-30N;
6. life test: 5,000 cycles.



SCHMATIC



| 4   | SHELL        | 1   | C5210 t=0.20 | Ni-Plating |
|-----|--------------|-----|--------------|------------|
| 3   | SPRING PIECE | 1   | C5210 t=0.20 | Au-Plating |
| 2   | SIGNAL       | 1   | C2680 t=0.30 | Au-Plating |
| 1   | HOUSING      | 1   | PA9T         |            |
| NO. | DESCRIPTION  | QTY | MATERIAL     | PLATING    |

UNLESS OTHERWISE SPECIFIED TOLERANCES



Shenzhen SHZ Precision Technology Co.,Ltd.  
深圳市升和正精密技术有限公司

|           |         |         |      |
|-----------|---------|---------|------|
| DECIMALS: | ANGLES: | DESIGN: | Tony |
| DIM       | TOL     | DIM     | TOL  |
| X.        | ±0.50   | X.      | ±2°  |
| X.X       | ±0.30   | X.X     | ±1°  |
| X.XX      | ±0.20   | X.XX    | —    |
| X.XXX     | ±0.10   | X.XXX   | —    |

|          |           |
|----------|-----------|
| CHECK:   | 2018.7.24 |
| APPROVED | Andy-liu  |
|          | 2018.7.24 |

|            |                      |
|------------|----------------------|
| PART NAME: | Φ4.5 H6.5 卧式DIP      |
|            | DC POWER JACK        |
| PART NO.   | DC450060-0054-30000H |
| SHEET:     | 1/1                  |
| REV.:      | A1                   |
| DRAWING NO |                      |

3RD ANGLE PROJECTION UNIT: mm

| REV. | ECN NO. | DESCRIPTION | DESIGN | DATE |
|------|---------|-------------|--------|------|
|------|---------|-------------|--------|------|