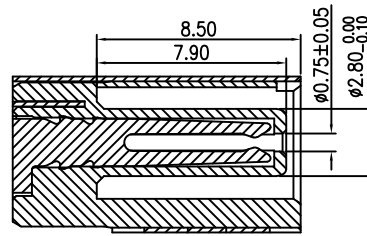
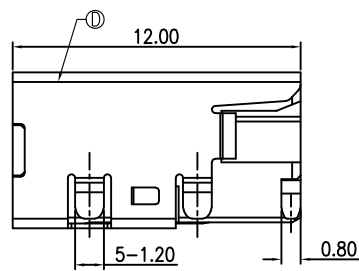
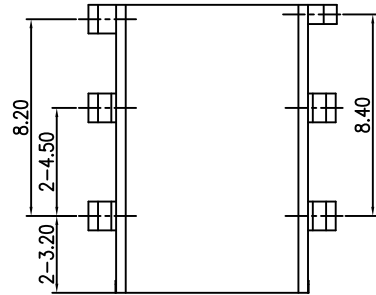
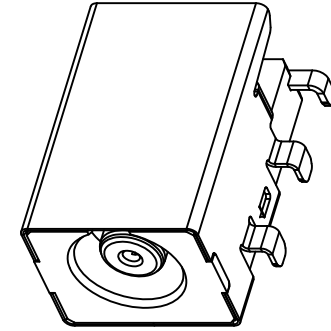


RoHS compliant

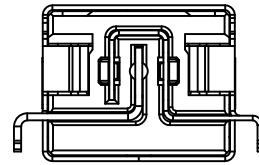
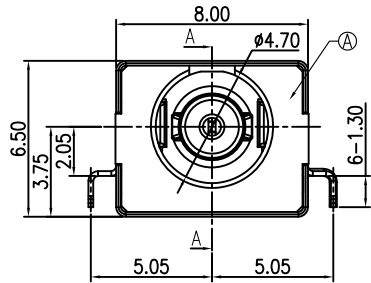


SECTION A-A

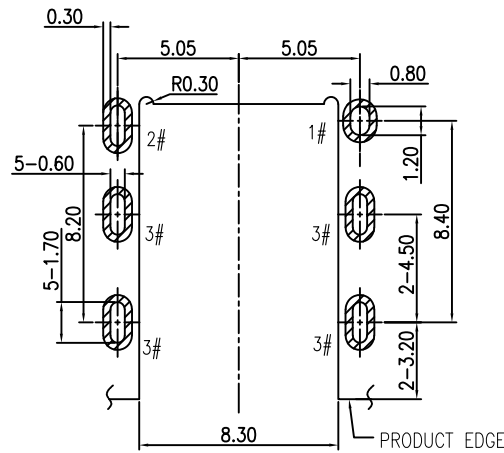
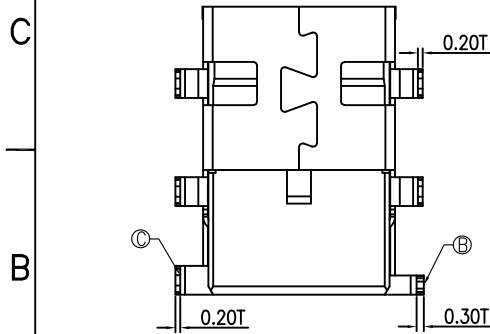


SPECIFICATION:

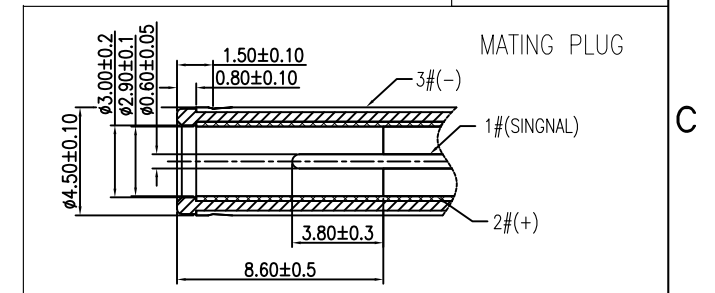
1. RATING: DC 20V 6.5A
2. CONTACT RESISTANCE: 30mΩ MAX.
3. INSULATION RESISTANCE: 100 MΩ MIN.
4. WITHSTAND VOLTAGE: 500 VAC
5. INSERTION FORCE: 30N MAX.
6. EXTRACTION FORCE: 6N MIN.
7. DURABILITY: 5,000 CYCLES



SCHEMATIC	
	2#(+)
	1#(SIGNAL)
	3#(-)



RECOMMENDED PCB LAYOUT
TOP VIEW TOLERANCE: ±0.05



no.	DESCRIPTION	MATERIAL	REMARKS	QTY
D	SHELL	COPPER ALLOY	Ni 50u"MIN.	1
C	SPRING	COPPER ALLOY	GOLD FLASH/MATTE TIN 80u"/Ni 40u"	1
B	CENTER PIN	COPPER ALLOY	GOLD FLASH/MATTE TIN 80u"/Ni 40u"	1
A	HOUSING	HIGH TEMP.THERMOPLASTIC	BLACK	1

REV	ECN NO	DESCRIPTION	DATE	SIGNATURE	PROJECT	UNIT	mm	SCALE	1:1	SHEET	REV	A0	DRAWING NO.	II-DC-04
A0		NEW DESIGN	2019/03/24											
					GENERAL TOLERANCE	DRAWN		Gene Li		2019/03/24		东莞市祥舜电子科技有限公司 DONGGUAN X-SHUN ELECTRONIC TECHNOLOGY CO., LTD		
					.X ±0.35	CHECKE		SHZ				PART NO. DC450060-0148-30000H		
					.XX ±0.25	APPROVE						TITLE: $\phi 4.50 \times \phi 0.60$ H6.50 沉板式 DC POWER JACK		
					.XXX ±0.15									
					.XX° ± 2°									
					.X° ± 1°									
					.XX° ± 0.5°									