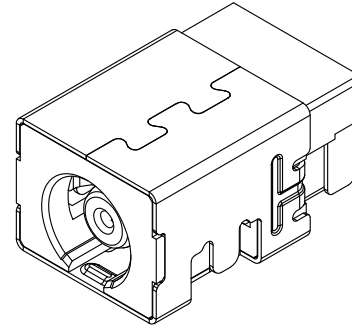
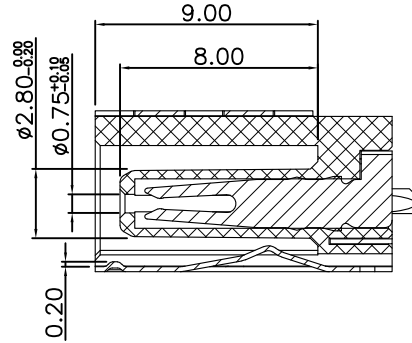
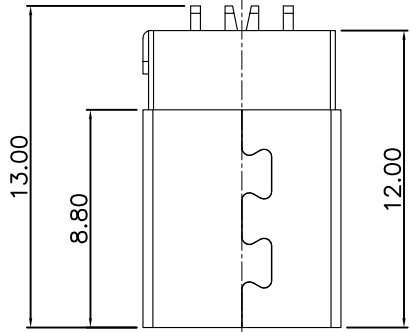
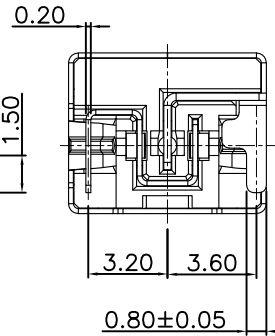
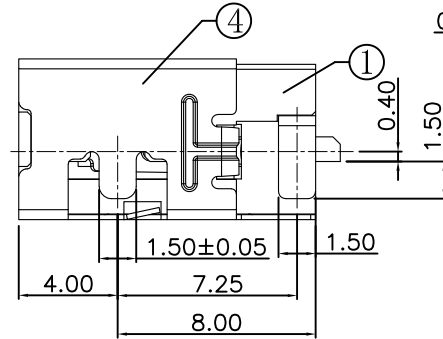
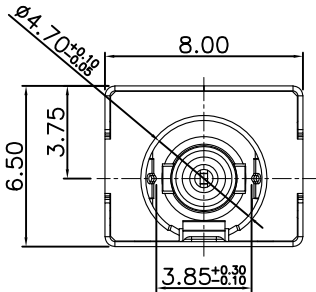
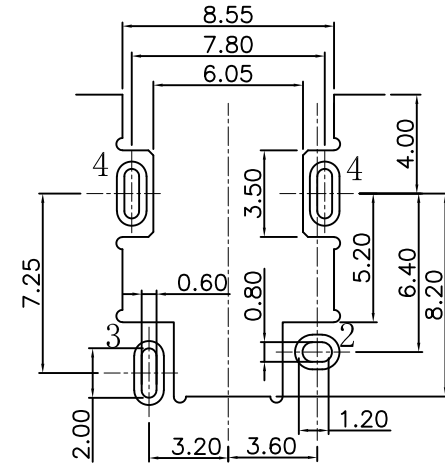


RoHS compliant



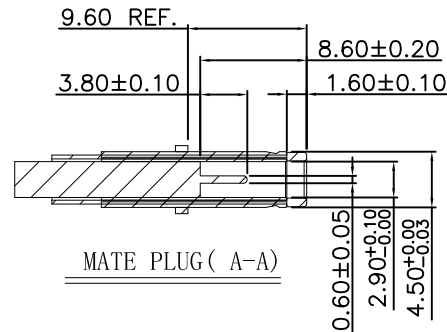
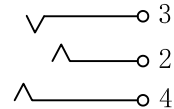
P. C. B LAYOUT



SPECIFICATION

1. Rating : DC 20V 6.5A;
2. Contact resistance: $\leq 0.03 \Omega$;
3. Insulation resistance: $\geq 100M \Omega$ (DC250V);
4. Withstand voltage: 500VAC ;
5. Insertion and extraction force: 4-30N;
6. life test: 5,000 cycles.

SCHEMATIC



MATE PLUG (A-A)

4	SHELL	1	C5210 t=0.20	Ni-Plating
3	SPRING PIECE	1	C5210 t=0.20	Au-Plating
2	SIGNAL	1	C2680 t=0.30	Au-Plating
1	HOUSING	1	PA9T	
NO.	DESCRIPTION	QTY	MATERIAL	PLATING

GENERAL TOLERANCE

.X	±0.35	X.°	± 2°
.XX	±0.25	.X°	± 1°
.XXX	±0.15	.XX°	± 0.5°

DRAWN	Geme Li	2018/07/24			
CHECKE	SHZ				
APPROVE					
UNIT	mm	SCALE	1:1	SHEET	

X-SHUN 东莞市祥舜电子科技有限公司
DONGGUAN X-SHUN ELECTRONIC TECHNOLOGY CO., LTD

PART NO. DC450060-0054-30000H

TITLE: Φ4.5 H6.5 卧式DIP DC POWER JACK

REV A0 DRAWING NO. H-DC-05

A0		NEW DESIGN	2018/07/24	
REV	ECN NO	DESCRIPTION	DATE	SIGNATURE