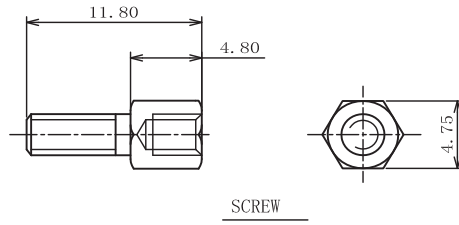
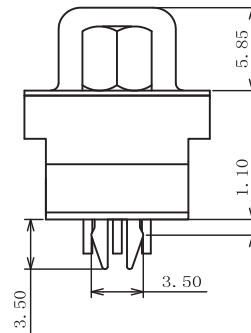
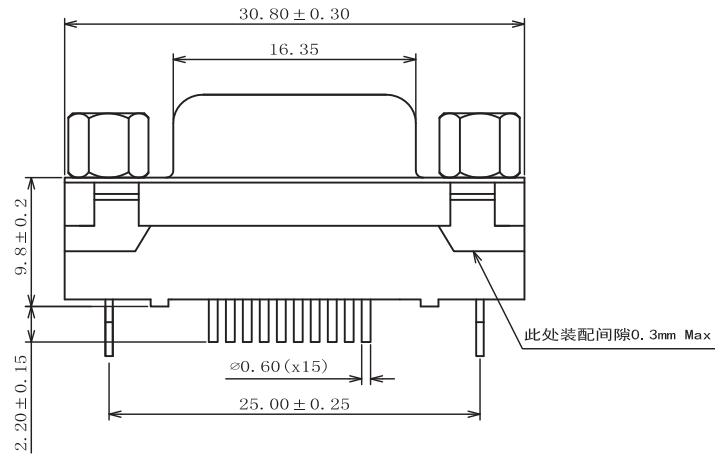
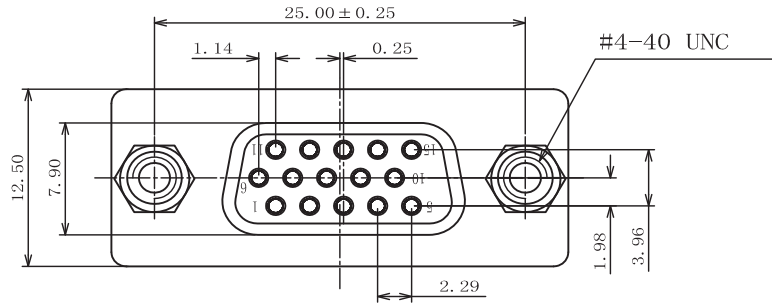
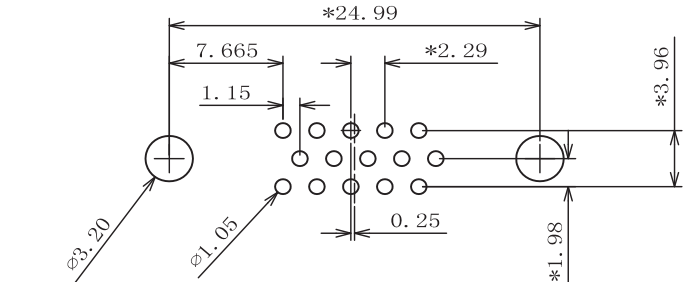


RoHS compliant



SPECIFICATIONS

- 1.1 Voltage: 250 VAC(RMS) Max.
- 1.2 Current Rating: 3 Ampere per Contact
- 1.3 Contact Resistance: 25 Milliohms Max.
- 1.4 Insulation Resistance: 5000 Megohms Min.
- 1.5 Dielectric Withstanding Voltage: 1000 VAC(RMS)
- 1.6 Total Mating Force: 6.0 Kgf Max.
- 1.7 Total Unmating Force: 1.2 Kgf Min.
- 1.8 Operating Temperature: -55° C to +85° C



RECOMMENDED PCB LAYOUT THICKNESS=1.6mm

TOLERANCE: ± 0.05

2	SCREW	STEEL , Ni PLATING OVER ALL.	⑥
2	FISH FORK	SPCC, Tin PLATING OVER ALL.	⑤
1	COVER	HIGH TEMPERATURE PLASTIC UL94V-0	④
1	HOUSING	HIGH TEMPERATURE PLASTIC UL94V-0	③
15	CONTACT	COPPER ALLOY, GOLD FLASH PLATED ON CONTACT AREA TIN PLATING ON SOLDER AREA, NI PLATING UNDER OVER ALL	②
1	SHELL	SPCC, Ni PLATING OVER ALL.	①
QTY'S	PART	SPECIFICATION	ITEM

				GENERAL TOLERANCE	DRAWN	Gene Li	2018/11/11								
				.X ±0.35 X.° ± 2°	CHECKE	QH									
				.XX ±0.25 .X.° ± 1°	APPROVE										
				.XXX ±0.15 .XX.° ± 0.5°											
REV	ECN NO	DESCRIPTION	DATE	SIGNATURE	PROJECT	UNIT	mm	SCALE	1:1	SHEET	1/1	REV	A0	DRAWING NO.	XSR9DA1-OS

X-SHUN 东莞市祥舜电子科技有限公司
DONGGUAN X-SHUN ELECTRONIC TECHNOLOGY CO., LTD

PART NO. XSR9DA1-OSPLOP

TITLE: HDR3.08 15PIN 母座 立式DIP 直锁4.8螺丝 鱼叉3.5mm H=9.80mm