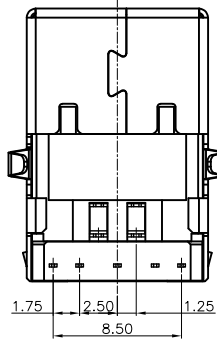
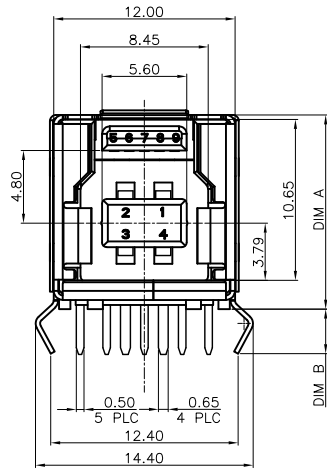
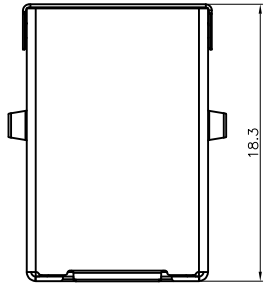
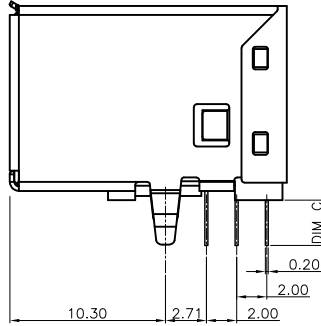


RoHS compliant



Pin NUMBER	SIGNAL NAME
1	VBUS
2	D-
3	D+
4	GND
5	StdB_SSTX-
6	StdB_SSTX+
7	GND_DRAIN
8	StdB_SSRX-
9	StdB_SSRX+
Shell	Shield



NOTES:

1.MATERIAL:

- 1.1 HOUSING: HIGH TEMPERATURE THERAL PLASTIC.
- 1.2 BACK SHELL:STEEL.
- 1.3 SPRING CONTACT: COPPER ALLOY.
- 1.4 FLAT CONTACT;COPPER ALLOY
- 1.5 SHELL :COPPER ALLOY.

2.FINISH:

- 2.1 CONTACT: (SEE P/N.),[50μ"] MIN. NICKEL UNDERPLATING OVER ALL.
- 2.2 SHELL: [50μ"] MIN.SOLDERABILITY NICKEL UNDERPLATING OVER ALL.
- 2.3 BACK SHELL;PLATING WHITOUT.

3.PART NUMBER DESCRIPTION :

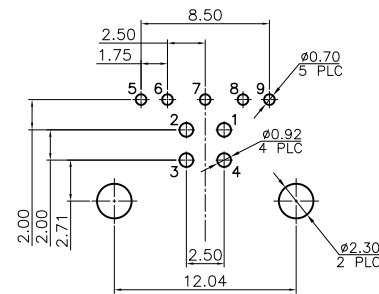
R UF-COXX- L 09 W1 - X

RoHS
SEE TABLE

PACKING:
R-TAPE REEL
T-TRAY
E-TUBE

HOUSING COLOR:
B-BLACK
L-BLUE

PLATING:
W1-[1μ"]GOLD CONTACT AREA
[100μ"]TIN SOLDER AREA
W2-[5μ"]GOLD CONTACT AREA
[100μ"]TIN SOLDER AREA



RECOMMEND P.C.B LAYOUT COMPONENT SIDE
DEFAUET TOLERANCES:±0.05 (PCB T=1.6mm)

2.9	2.9	13.1	RUF-C018-L09W1-T	04
2.9	2.9	12.9	RUF-C017-L09W1-T	03
3.2	3.2	12.6	RUF-C016-L09W1-T	02
3.5	3.5	12.4	RUF-C015-L09W1-T	01
DIM C	DIM B	DIM A	PART NO.	ITEM

REV	ECN NO	DESCRIPTION	DATE	SIGNATURE	PROJECT	DRAWING NO	REV	A0	TITLE
A0		NEW DESIGN	2016/07/15						USB 3.0, B TYPE, R/A,DIP,CONNECTOR.

X-SHUN 东莞市祥舜电子科技有限公司
DONGGUAN X-SHUN ELECTRONICTECHNOLOGY CO., LTD
TEL:+86 769 81885389 FAX:+86 769 81887859
E-Mail:sales@x-shun.com Http:www.x-shun.com

PART NO. SEE TABLE

TITLE USB 3.0, B TYPE, R/A,DIP,CONNECTOR.