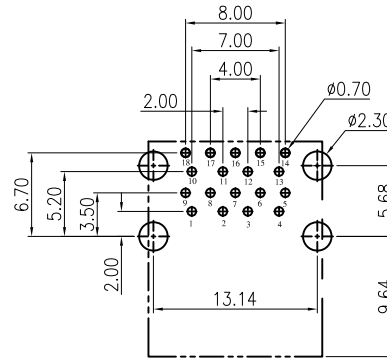
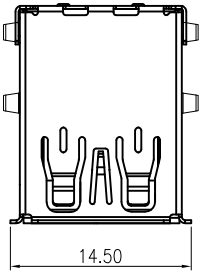


RoHS compliant



RECOMMENDED P.C.B HOLE LAYOUT
TOP VIEW(TOLERANCE:±0.05)

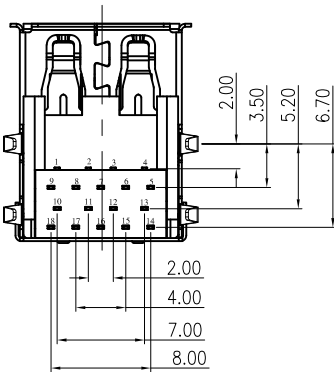
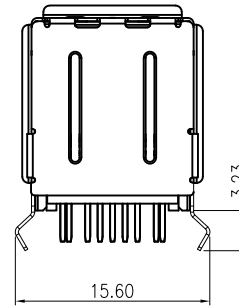
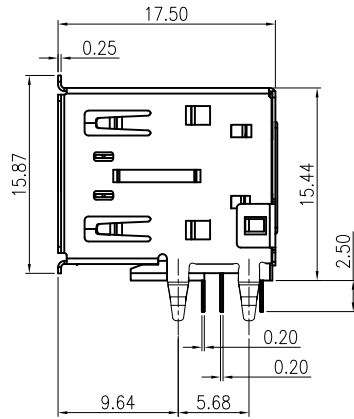
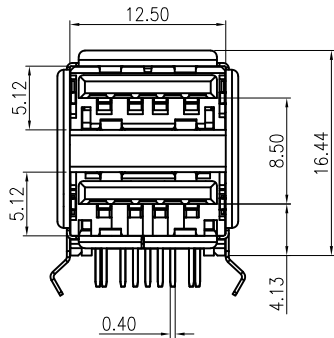
NOTE:

A. MATERIAL:

1. HOUSING: PBT/PA66/PA9T
2. COVER: PBT/PA66/PA9T
3. CONTACT: COPPER ALLOY
4. SHELL: SUS201
5. MIDDLE SPRING: SUS201

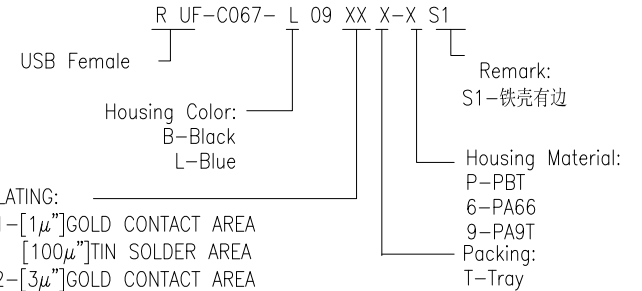
B. PLATING:

1. CONTACT: CONTACT AREA GOLD PLATED
SOLDER AREA TIN(80 μ "MIN) PLATED
UNDER PLATED NICKEL(30 μ "MIN)
2. SHELL: NICKEL(40 μ "MIN) PLATED



Pin NO.	Signal Assignment	Pin NO.	Signal Assignment
# 1	VBUS	# 10	VBUS
# 2	D-	# 11	D-
# 3	D+	# 12	D+
# 4	GND	# 13	GND
# 5	Stda_SSR-	# 14	Stda_SSR-
# 6	Stda_SSR+	# 15	Stda_SSR+
# 7	GND_DRAIN	# 16	GND_DRAIN
# 8	Stda_SST-	# 17	Stda_SST-
# 9	Stda_SST+	# 18	Stda_SST+

PART NO.:



PLATING:

- L1-[1 μ "GOLD CONTACT AREA
[100 μ "TIN SOLDER AREA
- L2-[3 μ "GOLD CONTACT AREA
[100 μ "TIN SOLDER AREA
- L3-[5 μ "GOLD CONTACT AREA
[100 μ "TIN SOLDER AREA

REV	ECN NO	DESCRIPTION	DATE	SIGNATURE	PROJECT	DRAWING NO	REV	A0	TITLE
A0		NEW DESIGN	2018/07/08						USB 3.0, A TYPE, 双层卧式DIP, 弯角 L=17.5MM

GENERAL TOLERANCE

.X	±0.35	X.°	± 2°
.XX	±0.25	.X°	± 1°
.XXX	±0.15	.XX°	± 0.5°

DRAWN

Gene Li

2018/07/08

UNIT

MM

X-SHUN 东莞市祥舜电子科技有限公司
DONGGUAN X-SHUN ELECTRONIC TECHNOLOGY CO., LTD
TEL:+86 769 81885389 FAX:+86 769 81887859
E-Mail:sales@x-shun.com Http:www.x-shun.com

CHECKE

LHS

SCALE

1:1

APPROVE

DRAWING NO

REV

A0

PART NO.

RUF-C067-L09LIT-PS1

TITLE

USB 3.0, A TYPE, 双层卧式DIP, 弯角 L=17.5MM