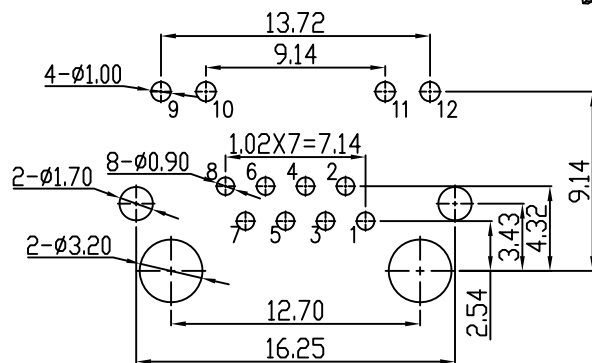
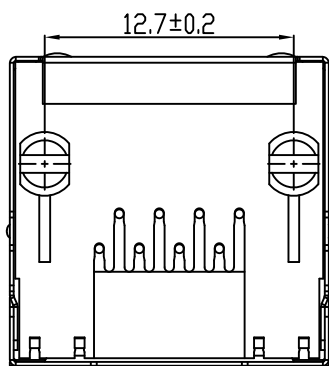
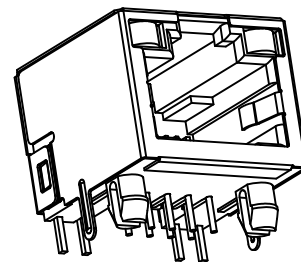
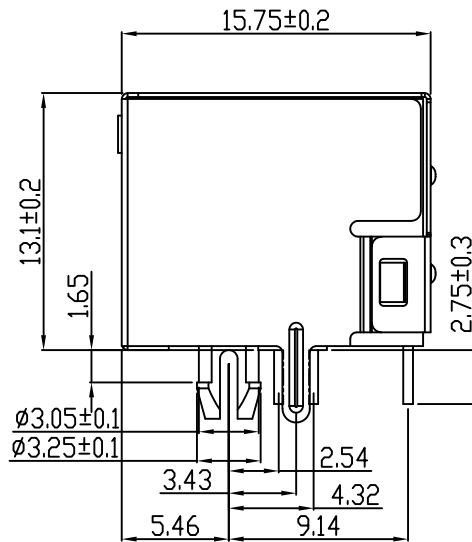
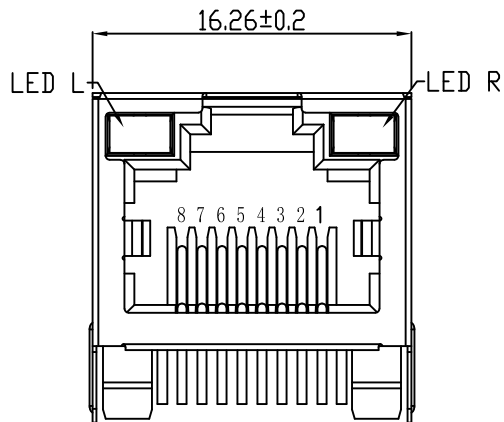


RoHS compliant

P/N:RJ5JA-8811-101111R

LED STYLE(LED 颜色类型):
 1-L LED:YELLOW, R LED:GREEN(左黄右绿)
 2-L LED:GREEN, R LED:YELLOW(左绿右黄)
 GOLD PLATING(镀金厚度):
 1-FU";2-1.5U";3-3U";4-6U";
 5-15U";6-30U";7-50U";F=1U"
 PLASTIC(塑料):
 1-PBT;
 2-NYLON66(尼龙66);
 3-NYLON46(尼龙46)
 COLOR(颜色):
 1-BLACK(黑色);3-GRAY(灰色);
 5-YELLOE(黄色);8-BLUE(蓝色)

LED L YELLOW LED R GREEN
 9 10 11 12



PC Board Layout

NOTES:

ELECTRICAL:

- VOLTAGE RATING: 125V AC.
- CURRENT RATING: 1.5A.
- CONTACT RESISTANCE: 30 mΩ MAX.
- INSULATION RESISTANCE: 500 MΩ MIN @ 500V DC.
- DIELECTRIC STRENGTH: 1000V AC 50Hz or 60Hz, 1MIN.

MECHANICAL:

- INSERT MATERIAL: UL94V-0.
- CONTACT MATERIAL: DIAMETER 0.46mm C51000(QSn4-0.3)PHOSPHOR BRONZE GOLD PLATING OVER NICKEL.
- SHIELD: 0.20mm THICKNESS H65Y BRASS NICKEL PLATED.
- MATING/UNMATING FORCE: 2.2KG.F MAX.
- RETENTION STRENGTH: 5.0KG.F MIN BETWEEN JACK AND PLUG.
- OPERATING LIFE: 750 CYCLES MIN.

ENVIRONMENTAL:

- STORAGE: -40°C ~ +85°C RELATIVE HUMIDITY<70%.
- OPERATION: -40°C ~ +85°C.

| | | | | | | | | | | | | |
|-----|--------|-------------|-----------|--------------------|---------|----------------|-----------|------------|--------|---|--------------------|-------------------------|
| | | | | GENERAL TOLERANCE | DRAWN | <i>Sene Li</i> | 2016/4/15 | UNIT | MM | 东莞市祥舜电子科技有限公司 DONGGUAN X-SHUN ELECTRONIC TECHNOLOGY CO., LTD TEL:+86 769 81885389 FAX:+86 769 81887859 E-Mail:sales@x-shun.com Http:www.x-shun.com | | |
| | | | | .X ±0.35 X.° ± 2° | CHECKE | SC | | SCALE | 1:1 | | | |
| A0 | | NEW DESIGN | 2016/4/15 | .XX ±0.25 .X° ± 1° | APPROVE | | | SHEET | 1 OF 1 | PART NO. | RJ5JA-8811-101111R | |
| REV | ECN NO | DESCRIPTION | DATE | SIGNATURE | PROJECT | | | DRAWING NO | REV | A0 | TITLE | 5JA RJ45 1X1 8P8C W/LED |