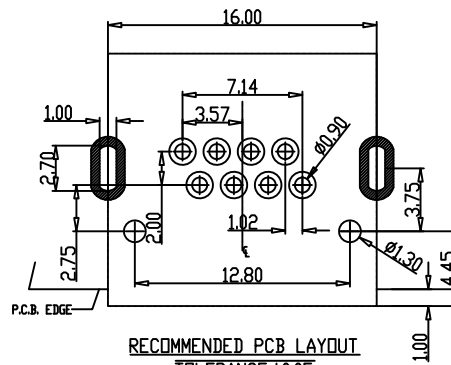
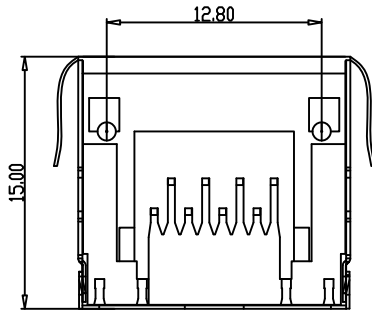
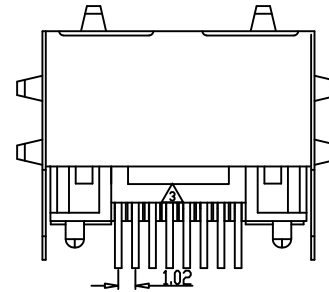
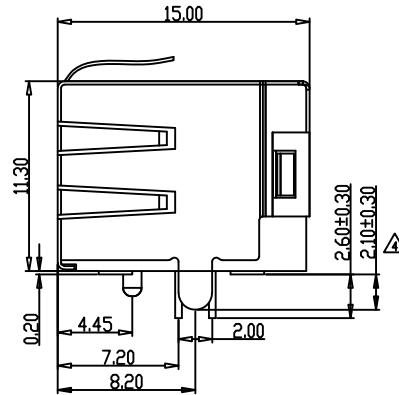
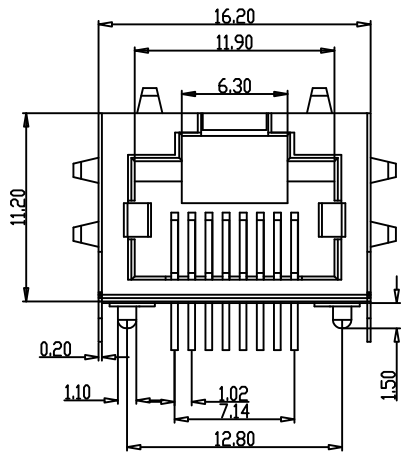


RoHS compliant



NOTES

MATERIAL

- 1. HOUSING MATERIAL : LCP UL94V-0.
- 2. CONTACT MATERIAL : PHOSPHOR BRONZE ϕ 0.46mm.
- 3. PLATING : GOLD PLATING OVER NICKEL.
: FU", 3U", 6U", 15U", 30U", 50U".
- 4. SHIELD : 0.20mm THICKNESS COPPER ALLOY WITH NICKEL PLATED.

ELECTRICAL

- 1. VOLTAGE RATING : 125 VAC RMS.
- 2. CURRENT RATING : 1.5 AMP.
- 3. CONTACT RESISTANCE : 30 MILLIOHMS MAX.
- 4. INSULATION RESISTANCE : 500 MEGOHMS MIN @ 500V DC .
- 5. DIELECTRIC RESISTANCE : 1000V AC RMS 50Hz. 1MIN.

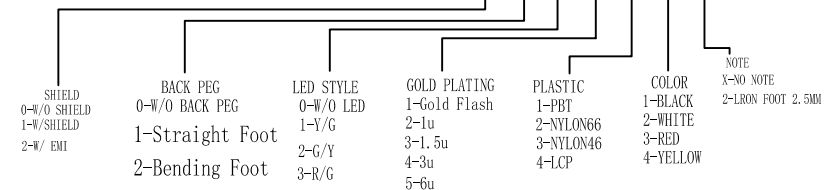
MECHANICAL

- 1. DURRABILITY : 750 CYCLES MIN.
- 2. PCB RETENTIONPRE-SOLDER : 1 LB MIN.

ENVIRONMENTAL:

- 1. STORAGE : -40°C~+85°C.
- 2. OPERATION : -40°C~+85°C.

P/N:RJ5JE-8811-2101112



NOTE
X-NO NOTE
2-LRON FOOT 2.5MM

				GENERAL TOLERANCE	DRAWN	<i>Sene Li</i>	2016/05/22	UNIT	MM	东莞市祥舜电子科技有限公司 DONGGUAN X-SHUN ELECTRONIC TECHNOLOGY CO., LTD TEL:+86 769 81885389 FAX:+86 769 81887859 E-Mail:sales@x-shun.com Http:www.x-shun.com		
				.X ±0.35 X.° ± 2°	CHECKE	TM		SCALE	1:1			
A0		NEW DESIGN	2016/05/22	.XX ±0.25 X.° ± 1°	APPROVE			SHEET		PART NO.	RJ5JE-8811-2101112	
REV	ECN NO	DESCRIPTION	DATE	SIGNATURE	PROJECT			DRAWING NO	REV	A0	TITLE	5JE 8P8C TAB-UP W/EMI H=11.3mm DIP TYPE